







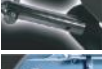








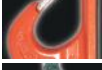







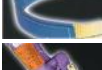



ALL MATERIAL HANDLING
Lifting Equipment



LIFTING EQUIPMENT

-  **3** X5 LEVER CHAIN HOIST & SUBSEA LEVER CHAIN HOIST 3/4 – 10 Ton
-  **5** MA HAND CHAIN HOISTS 1/2 – 30 ton
-  **7** LA LEVER CHAIN HOISTS 3/4 – 9 ton
-  **9** BADGER CHAIN HOISTS 1/4 – 10 ton
-  **13** MINI CHAIN HOISTS 1/4 – 1/2 ton
-  **14** CABLE PULLERS 1,000 – 3,400 Lbs
-  **15** PUSH AND GEARED TROLLEYS 1/2 - 30 ton
-  **17** ARMY STYLE LOW HEADROOM TROLLEYS 1/2 – 10 ton
-  **19** BEAM CLAMPS 1 – 10 ton
-  **20** WALK-E-DOG 1 – 4 Ton

LIFTING ACCESSORIES

-  **23** GRADE 100 ALLOY SLING CHAINS 7/32" – 1-1/4"
-  **24** GRADE 100 ALLOY MASTER LINKS & SUB ASSEMBLIES (For use with chain slings) 1/2" – 2-3/4"
-  **25** GRADE 100 ALLOY CHAIN FITTINGS 7/32" – 1-1/4"
-  **30** WELD-ON LIFTING POINTS 1.5 ton – 30 ton
-  **33** GREY CLASSIC G100 FITTINGS 7/32" – 1"
-  **37** GRADE 100 ALLOY MASTER LINKS & SUB ASSEMBLIES (For use with wire rope & synthetic slings) 1/2" – 2-3/4"
-  **39** GRADE 60 STAINLESS STEEL INOX CHAIN AND FITTINGS 7/32" – 5/8"
-  **42** WELD-ON BUCKET HOOKS 1 – 20 ton
-  **42** GRADE 100 TRANSPORT GRAB HOOKS 5/16" – 1/2"
-  **43** PLATE LIFTING CLAMPS, UNIVERSAL AND HORIZONTAL 1/2 – 5 ton
-  **44** SECURITY CHAINS AND PADLOCKS
-  **45** SYNTHETIC WEB SLINGS
-  **46** SYNTHETIC ROUND SLINGS, ALLOY HOOKS FOR SYNTHETIC SLINGS
-  **47** TIE DOWNS
-  **48** ALLOY ROTATING EYEBOLTS and SWIVEL HOIST RINGS 0.1 – 40 ton



WHO IS AMH?

All Material Handling Inc. is a privately owned and operated provider of quality material-handling equipment and accessories. We are equipped with an international perspective and an established distribution network that allows us to service applications in Construction, Industrial Supply, Maintenance, Marine, Military, Mining, Petrochemical, Railroad, Rental, Ship Building, Utilities, Manufacturing, as well as other industries across North and South America.

AMH owners have over 100 years of combined experience in manufacturing and engineering, which we have translated into excellent supply logistics for high-quality lifting equipment.

WHY AMH?

CLOSE TO MARKET

AMH distributors are found throughout the Americas. They are supported by our main office in Chicago Illinois, along with service and distribution centers located in Des Moines IA; Houston TX; Monroe GA; and Portland OR. Our supply network allows shipments from multiple locations, ensuring that customer demands are promptly met. Our four shipping points have enabled us to reach almost every customer in the continental United States, and ports servicing countries outside of the United States, within two business days, upon receipt of order.

TECHNICAL COMPETENCE

We encourage frequent inspections and preventive maintenance programs for lifting equipment. Our distributors and authorized repair and service centers assist in supporting our product, and provide test documentation to comply with ASME B30, OSHA, and other applicable regulatory requirements and standards. Not only is a test certificate available in every lifting equipment's box, but AMH has taken it one step further by making certificates conveniently available online for retrieval by serial number from a test certificate database.

SUPPLY SERVICE

Quality, support, and quick order fulfillment are our highest priorities. We provide our distributors and their customers with a well-stocked, quick responding network of Service Centers and Warehouses. 94% of all orders placed before noon ship the same day. We ship from four strategically positioned warehouse locations, which means that 90% of all AMH shipments arrive within two days of order placements at customer locations (throughout the Continental US). The combination of quick order fulfillment and a discounted large-order option make us what we are today - a prompt supplier who always keeps its customers' needs in mind. We pride ourselves in providing unequalled service to our customers - a level of service that can only be achieved by having well-trained employees with an extensive knowledge of our products and the industry's needs.

OUR PHILOSOPHY is to be a leading provider of quality material-handling products that exceed our customers' expectations of value and service.

OUR MISSION is to support our distributors with personal service, high quality, competitive pricing, and provide quicker delivery times than anyone else in the industry.



Please reach out to me with any feedback or requests. We understand well that customer satisfaction is key to our success and yours.

Sincerely,

Peter Brettner, President





X5 Series Hoist

X5 Lever Chain Hoist

3/4 to 10 US Ton Capacity

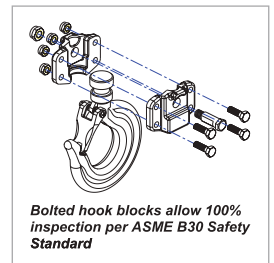
3/4 to 9 Metric ton Capacity

FEATURES

- ▶ Brake sets and operates without minimum preload.
- ▶ 100% inspection of hooks per ASME B30 and easy hook replacement is permitted by bolted hook blocks.
- ▶ All steel body for durable strength in a smaller size.
- ▶ Powder coated and plated external parts to resist corrosion.
- ▶ Caged roller bearings on chain wheels for highest efficiency.
- ▶ Laser etched stainless steel nameplates with required OSHA/ASME B30 warnings, model and stamped serial number.
- ▶ Weston style mechanical load brake is self-adjusting with double pawls and is surrounded by an enclosure to limit contamination.
- ▶ Fused brake disc cannot crack, shatter, or absorb moisture.
- ▶ Grade 100 zinc plated load chain made in Japan or EU.
- ▶ Optional overload protection is a one directional slip clutch that only slips in the lift direction.
- ▶ Ambient Temperature range: -40° to +140° F (-40° to +60° C).
- ▶ Meets: OSHA, ASME B30.21 and ASME HST-3. In addition, the ultimate strength is 5 times Working Load Limit (WLL), meeting structural requirement of ASME HST-3 Appendix A, for use in marine and other applications as specified by US Department of Defense (DOD).
- ▶ ATEX rated $\text{Ex II 3 GD c IIB 60° C X}$ for limited use in hazardous environments.
- ▶ Final assembly and load test in the USA from imported components. Supplied with certificate by serial number.
- ▶ Standard lifts are 5, 10, 15 and 20 ft. Custom lifts are also available.



Oversized laser etched stainless steel nameplate with required ASME/OSHA WARNINGS



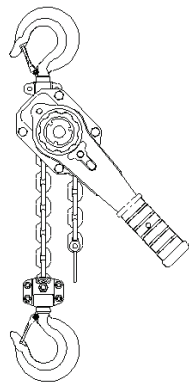
Bolted hook blocks allow 100% inspection per ASME B30 Safety Standard

X5S. ADDITIONAL SUBSEA MODEL FEATURES

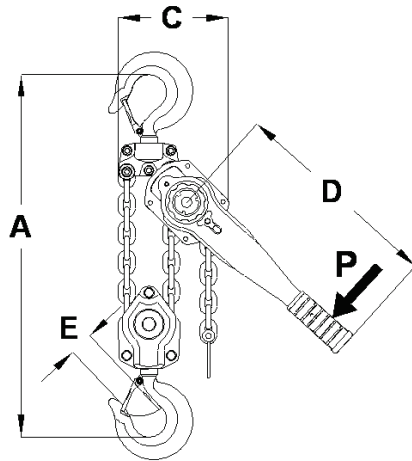
- ▶ SubSea models for use submerged under water.
- ▶ Brake is enclosed in a gasket sealed area along with bolted-in stainless dual springs and pawls.
- ▶ Meets IMCA D028 standard (UK sub-sea lever hoist standard).
- ▶ Extensive coatings, finishes and materials to resist corrosion.
- ▶ Fitted with an adjustable chain stop to meet local codes for use under water.



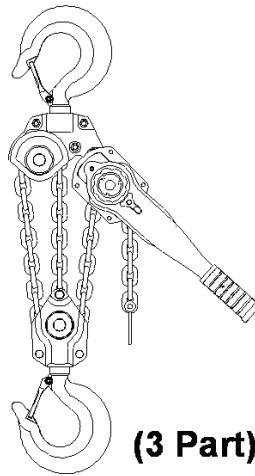
Adjustable Stop



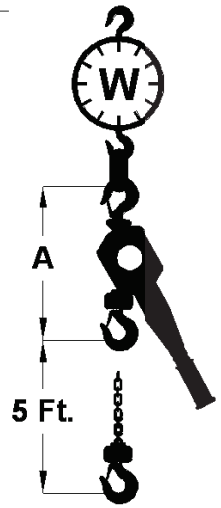
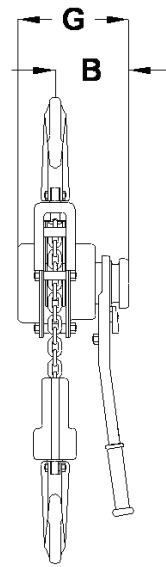
(1 Part)
3/4 - 3.5 T



(2 Part)
6 - 7 T



(3 Part)
9 - 10 T



Working Load Limit (WLL)			Specifications (inches and pounds)										
Base Model	WLL US Ton	kg	Chain Grade 100	Parts	A" Min.	B"	C"	D"	E" with Latch	G"	P (lbs)	W (lbs) /Ft Lift	W (1) (lbs) 5' Lift
X5L02250	3/4 to 1 1/8	1020	C5.6H17Z	1	11.8	3.8	4.7	9.6	1.1	5.7	66	0.5	13.5
X5SL02250													
X5L03528	1 1/2 to 1 3/4	1600	C7.1H20Z	1	13.2	3.9	5.0	10.4	1.2	6.5	68	0.7	18.0
X5SL03528													
X5L07056	3 to 3 1/2	3200	C10H28Z	1	15.6	4.5	6.3	16.3	1.4	7.7	84	1.5	36.5
X5SL07056													
X5L14000	6 to 7	6350	C10H28Z	2	21.3	4.5	8.6	16.3	1.8	7.7	86	3.0	55.0
X5SL14000													
X5L20000	9 to 10	9070	C10H28Z	3	26.8	4.5	11.7	16.3	2.1	7.7	88	4.5	90.0
X5SL20000													

Order by descriptive model number

Example: **X5L07056-05VS**



Base Model

Options (Not available for SubSea models)

V = Overload Protection, one-way operation will lower any load

S = Shipyard Hooks includes top and bottom (Available for 1 3/4 & 3 1/2 T)

L = Self-Locking Hooks includes top and bottom (Available for 1 1/2, 1 3/4 & 3 1/2 T)



S option



L option



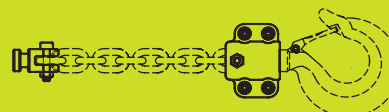
Extender Kit
Order Separately



1 1/8 T

1 3/4 T

3 1/2 T

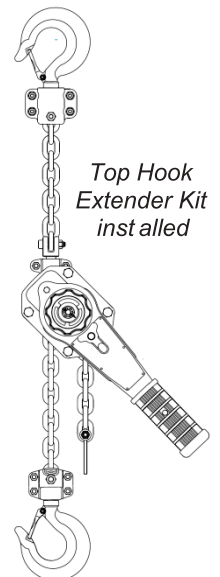


(Chain and Hook not included)

HOOK- EXT02250

HOOK- EXT03528

HOOK- EXT07056



Top Hook
Extender Kit
installed



Before using these products; read and follow instructions in the operator's manual. Never exceed capacity. Do not use for lifting people or loads over people.



MA Series Hoist

Hand Chain Hoist

½ to 30 Metric ton Capacity

FEATURES

- ▶ Increased efficiency by additional pinion shaft bearing and close tolerances.
- ▶ Hook blocks are bolted, allowing complete hook inspection.
- ▶ Lightweight and durable all steel construction with powder coated finish and plated frame components to resist corrosion.
- ▶ Premium USA Made Grade 80 Zinc plated alloy load chain.
- ▶ Hand chain opening is formed with a radius for smooth operation.
- ▶ Sealed ball bearings on the chain wheel maximize efficiency and serviceability.
- ▶ Weston style mechanical load brake is self-adjusting with double pawls and is surrounded by an enclosure to limit contamination.
- ▶ Double roller guide ensures load chain tracking.
- ▶ Optional Overload Protection is a one directional clutch that will only slip in the lift direction.
- ▶ Meets: ASME/ANSI B30.16, OSHA, NASA-STD-8719.9
- ▶ ATEX rated Ex II 3 GD c IIB 54° C X for limited use in hazardous environments.



Final assembly and re-testing in the USA

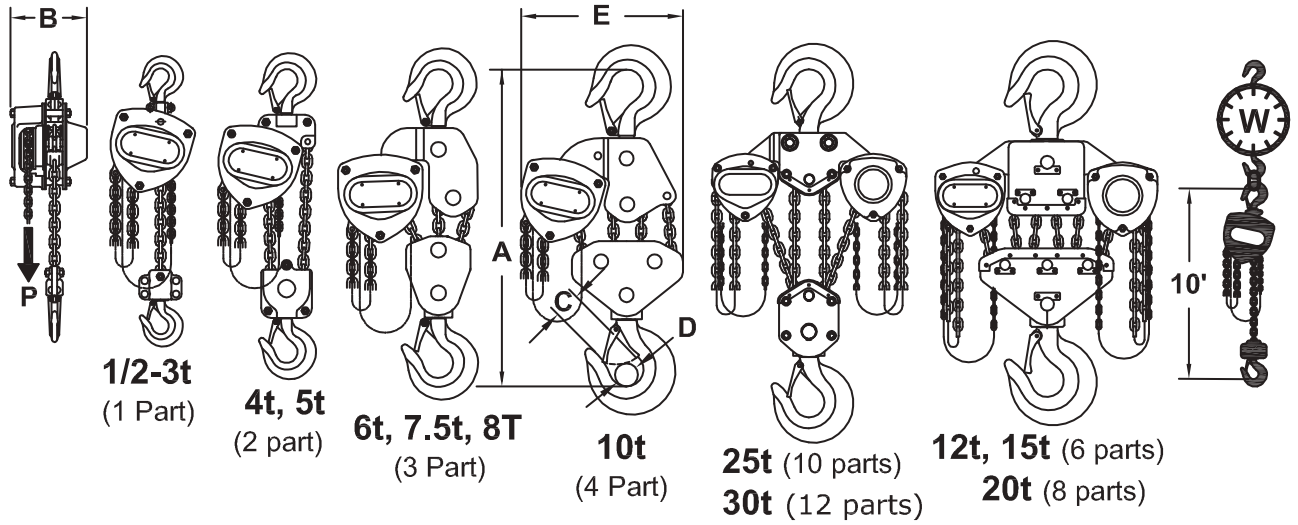


Plated Frame and Guide Components with Rounded Hand Chain Entrance

Zinc Plated Chains



Before using these products; read and follow instructions in the operator's manual. Never exceed capacity. Do not use for lifting people or loads over people.



Base Model	Capacity (WLL)	Specifications (inches and pounds)							Effort "P" @WLL"	"W ft. lift"	"W 10 ft. lift"
		Parts	Chain	A	B	C	D	E			
MA005	1/2t / 1100 lbs	1	C5 x 15z	13.6	5.4	0.93	0.83	5.7	50	0.74	24
MA010	1t / 2200 lbs	1	C6 x 18z	14.8	6	1.02	0.98	6.3	63	0.92	27
MA015	1 1/2t / 3300 lbs	1	C7 x 21z	17.4	6.8	1.28	1.2	7.2	66	1.12	39
MA020	2t / 4400 lbs	1	C8 x 24z	18.5	7	1.38	1.28	8	74	1.3	43
MA030	3t / 6600 lbs	1	C10 x 28z	21.7	8.1	1.5	1.42	10	84	1.88	77
MA040	4t / 8800 lbs	2	C9 x 27z	27.1	7.4	1.67	1.57	9.8	62	2.88	90
MA050	5t / 11000 lbs	2	C9 x 27z	27.1	7.4	1.67	1.57	9.8	78	2.88	90
MA060	6t / 13200 lbs	3	C9 x 27z	29.8	7.4	1.93	1.81	16.9	63	4.13	135
MA075	7.5t / 16500 lbs	3	C9 x 27z	29.8	7.4	1.93	1.81	16.9	79	4.13	135
MA080	8T / 16000 lbs	3	C9 x 27z	29.8	7.4	1.93	1.81	16.9	79	4.13	135
MA100	10t / 22000 lbs	4	C9 x 27z	33.9	7.4	1.93	1.81	18.1	83	5.38	173
MA120	12t / 26400 lbs	6	C9 x 27z	42.9	7.9	3.19	2.95	28.3	72x2	8.26	341
MA150	15t / 33000 lbs	6	C9 x 27z	42.9	7.9	3.19	2.95	28.3	90x2	8.26	341
MA200	20t / 44000 lbs	8	C9 x 27z	46.1	7.9	3.19	2.95	33.5	98x2	10.76	418
MA250	25t / 55000 lbs	10	C9 x 27z	47.2	13.9	3.19	2.95	27.5	107x2	13.26	462
MA300	30t / 66000 lbs	12	C10 x 28z	57.1	17.8	3.19	2.95	29.5	108x2	22.56	590

(1) Shipping weight can be estimated by adding approx. 15% to "W" hanging weight.

Standard lift = 10, 15 and 20 ft. Hand chain drop is 2 ft less than lift. Custom lifts and drops are available.

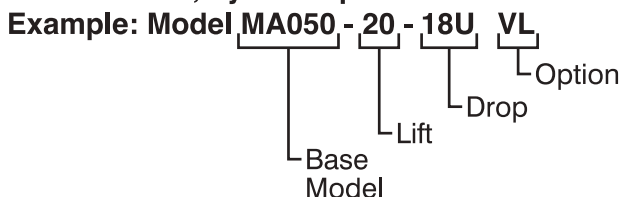
Option: V= Overload Protection, one-way operation that will lower any load.

L= Self-Locking Hook Option.



Self-Locking Hook Option (Fits into Standard Hook Block)

How to Order, by descriptive model number



Before using these products; read and follow instructions in the operator's manual. Never exceed capacity. Do not use for lifting people or loads over people.



LA Series Hoist

Lever Chain Hoist

3/4 to 10 US Ton Capacity

3/4 to 9 Metric ton Capacity

FEATURES

- ▶ Dual rated with more choices of capacity.
- ▶ Hook blocks are bolted, allowing easy disassembly for complete hook inspection.
- ▶ Lightweight and durable all steel construction with powder coated finish and plated external components to resist corrosion.
- ▶ Premium USA Made Grade 80 Zinc plated alloy load chain.
- ▶ Weston style mechanical load brake is self-adjusting with double pawls and is surrounded by an enclosure to limit contamination.
- ▶ Horseshoe chain guard allows operation in any orientation.
- ▶ Optional Overload Protection is a one directional clutch that will only slip in the lift direction.
- ▶ Meets: ASME/ANSI B30.21, OSHA, NASA-STD-8719.9
- ▶ ATEX rated Ex II 3 GD c IIB 54° C X for limited use in hazardous environments
- ▶ Long-life fused brake friction disc will not crack, shatter, or absorb moisture

US Ton	Metric ton
3/4T	0.8t
1T	1.0t
1 3/4T	1.6t
2 1/4T	2.0t
2 3/4T	2.5t
3 1/2T	3.2t
7T	6.3t
10T	9.0t



Horseshoe Shape Chain Guide



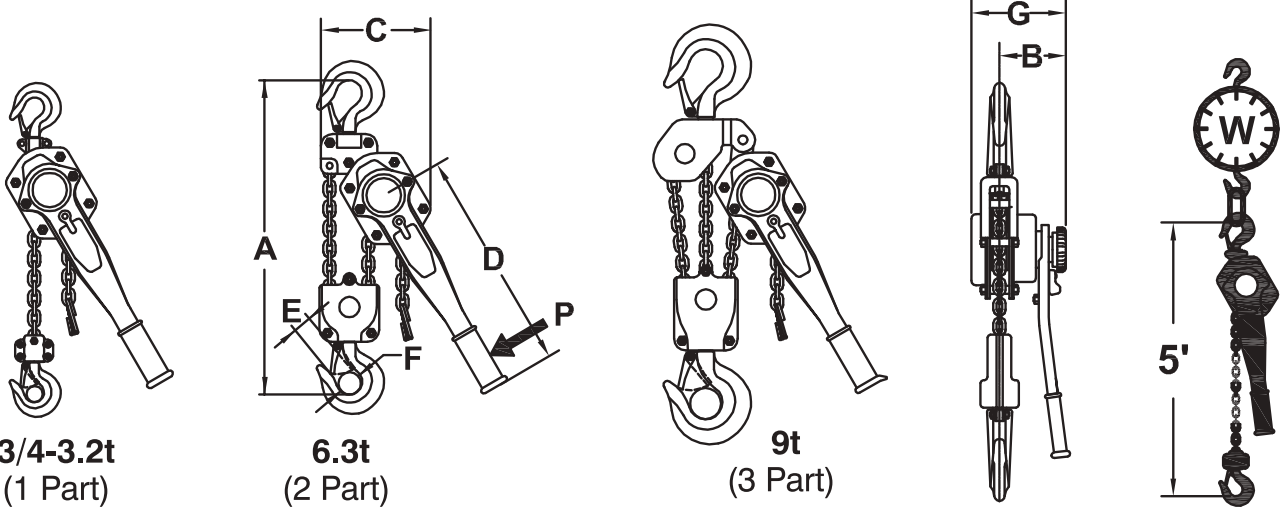
Oversized laser etched stainless steel nameplate with required ASME/OSHA WARNINGS



Before using these products; read and follow instructions in the operator's manual. Never exceed capacity. Do not use for lifting people or loads over people.

Final assembly and re-testing in the USA





Working Load Limit (WLL)

Specifications (inches and pounds)

Base Model	US Ton	Metric ton	*Min. Load		Chain	Parts	A"	B"	C"	D"	E"	F"	G"	Effort P (Lbs)	W (Lbs) / ft Lift	W (1) (Lbs) 5 ft Lift
			Lbs	Kg												
LA008	¾+	0.8	44	20	C6X18Z	1	13.4	3.9	5.2	10.5	1.02	0.98	6.2	47	0.54	14.9
LA010	1+	1	44	20	C6X18Z	1	13.4	3.9	5.2	12.1	1.02	0.98	6.2	51	0.54	15.3
LA016	1 ¼	1.6	70	32	C7X21Z	1	15.7	4.4	5.7	14	1.14	1.18	7.2	66	0.74	24.1
LA020	2 ¼	2	88	40	C8X24Z	1	18.1	4.6	7.6	14	1.38	1.3	8.1	66	0.92	36.2
LA025	2 ¾	2.5	110	50	C9X27Z	1	19.1	4.6	7.6	14	1.38	1.3	8.1	74	1.25	37.9
LA032	3 ½	3.2	141	64	C10X28Z	1	20.5	4.8	7.8	16.5	1.46	1.42	8.3	72	1.50	44.8
LA063	7	6.3	278	126	C10X28Z	2	25.2	4.8	9.1	16.5	1.69	1.69	8.3	74	3.00	66.3
LA090	10	9	396	180	C10X28Z	3	28.7	4.8	13.3	16.5	1.85	1.73	8.3	76	4.50	110.6

(1) Shipping weight can be estimated by adding approx. 15% to "W" hanging weight.

* **Minimum Load** = Load required to activate the automatic load brake. The brake will stop a load even if the operator leaves the unit in free chain mode or in neutral. This is a similar reaction to a seatbelt.

Standard Lift = 5, 10, 15, and 20 ft. Custom lifts are available.

Option: **V** = Overload Protection, one-way operation that will lower any load.

L = Self-Locking Hook Option

S = Shipyard Hooks. Available for 1.6t & 3.2t only.

Custom lifts

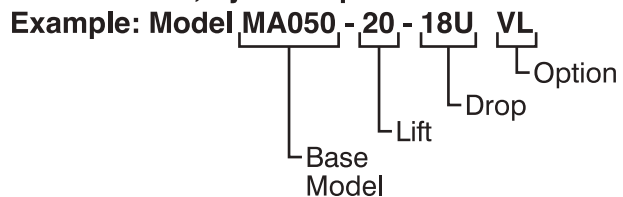
Fits into Standard Hook Block



S option

L option

How to Order, by descriptive model number



Before using these products; read and follow instructions in the operator's manual. Never exceed capacity. Do not use for lifting people or loads over people.

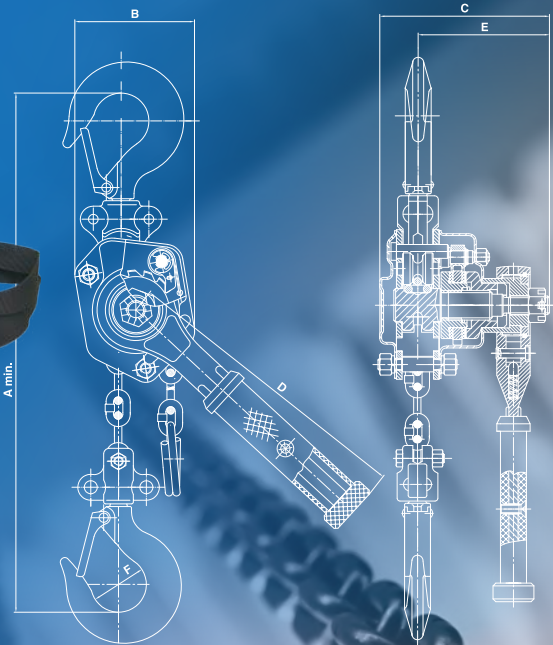


BADGER™

1/4 ton Mini Lever Chain Hoist

- Available in 5' and 10' of Lift
- Camo Carry Pouch Included!
- Meets Requirements of ASME/ANSI B30.21

NEW



LZ Series Specifications and Dimensions (inches and pounds)

Part #	Working Load Limit (WLL)	Chain	A Min.	B	C	D	E	F	Effort P (lbs.)	W (lbs.) 5' lift	W (lbs.) 10' lift
									56	4.40	5.65
LZ003-5 or LZ003-10	1/4 t / 550 lbs.	C4X12Z	9.4	2.5	3.6	6.3	2.8	1.2			

Chain Hoists

1/2 to 10 Metric ton Capacity

FEATURES (for both lever and hand chain hoists)

- ▶ Low Headroom, Light weight and durable formed steel enclosure protects from contamination and can be quickly disassembled for fast and easy maintenance. Powder coating and plated finishes on exposed components provide corrosion resistance, allowing the hoist to stay in service longer.
- ▶ Internal parts are heat treated for strength and reliability with fully enclosed gearing to protect from contamination. All gears and shafts run on caged roller bearings, including the lift wheel which is machined for smooth operation and long life.
- ▶ Weston style mechanical load brake is self adjusting with double pawls and is surrounded by an enclosure to limit contamination.
- ▶ Drop forged Alloy hooks are designed to stretch when overloaded before chain failure and equipped with a heavy duty cast steel safety latch, attached by a bolt and lock nut. The top hook mounting articulates to aid in rigging and help ensure straight line loading between hooks.
- ▶ Grade 80 Alloy load chain with zinc plating.
- ▶ Each hoist is proof tested matching the individual serial number stamped on the nameplate. An operation and spare parts manual is also supplied in English, French and Spanish.
- ▶ Meets ASME B30, OSHA and NASA-STD-8719.9
- ▶ Unchained units and bulk chain are available for customers to make their own custom lifts if assembled and tested per ASME B30 before being placed into service.
- ▶ Spare parts are stocked in USA.



S Option:



Shipyard Hook



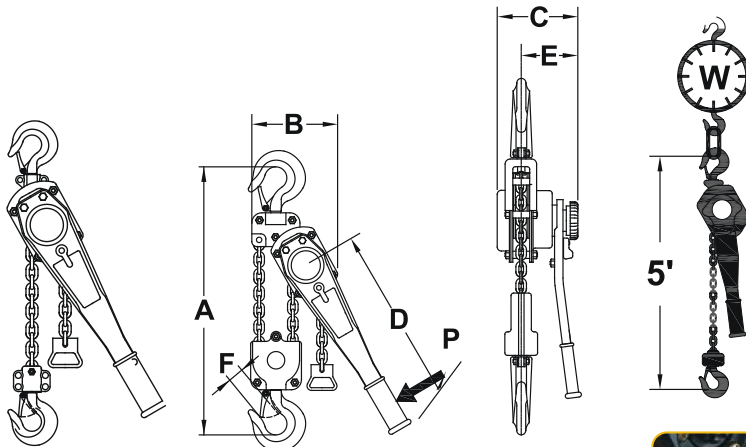
Before using these products; read and follow instructions in the operator's manual. Never exceed capacity. Do not use for lifting people or loads over people.

Lever Chain Hoist

3/4 to 6 Metric ton Capacity

FEATURES

- ▶ Easy One Hand Operation and Set up - When the selector is in neutral and no load is present then free chain mode is entered. The chain can be pulled through the hoist by a pull handle for easy set up and load attachment before engaging the selector for pulling. The pull handle also acts as a chain stop. Short ratchet strokes of a non-slip rubber grip lever and the 360 degree rotation requires minimal space for operation. The pull force to operate may be 20 to 30% less than others.
- ▶ Operation in any orientation is assured by a fully enclosed horseshoe shape chain guard keeping the load chain in contact with the lift wheel.
- ▶ Available in lifts of 5, 10 and 20 feet zinc plated chain.
- ▶ Custom lifts available.



(1 part)
0.75, 1.5 & 3t

(2 part)
6t

Option: S = Shipyard Hooks, Available for 1.5t and 3t only

How to Order: By descriptive model number

Example: Model LC030-20S = 3t lever hoist with 20' lift shipyard hooks



S Option:



Shipyard Hook

UPGRADED!

(1) Shipping weight can be estimated by adding approximately 15% to "W" hanging weight.

Each hoist is serialized and supplied with test certificate and manual in English, French and Spanish.



Oversized laser etched stainless steel nameplate with required ASME/OSHA WARNINGS

SPECIFICATIONS AND DIMENSIONS (inches and pounds unless noted)

Base Model#	WLL Metric ton	Weight (lbs) Lift/FT	Weight (lbs) 5 Ft Lift	Chain# & Size (mm)	Effort P (lbs.)@ WLL	Falls	A	B	C	D	E	F with latch
LC008	0.75t (1650 lbs)	0.54	17	C6X18ZC	31	1	12.6	5.3	5.8	11.4	3.5	0.94
LC015	1.5t (3300 lbs)	0.92	26	C8X24ZC	54	1	15.0	6.4	6.9	16.5	4.0	1.14
LC030	3.0t (6600 lbs)	1.48	46	C10X30ZC	72	1	18.9	8.3	7.7	16.5	4.3	1.42
LC060	6.0t (13200 lbs)	2.96	70	C10X30ZC	76	2	24.4	10.0	7.7	16.5	4.3	1.81



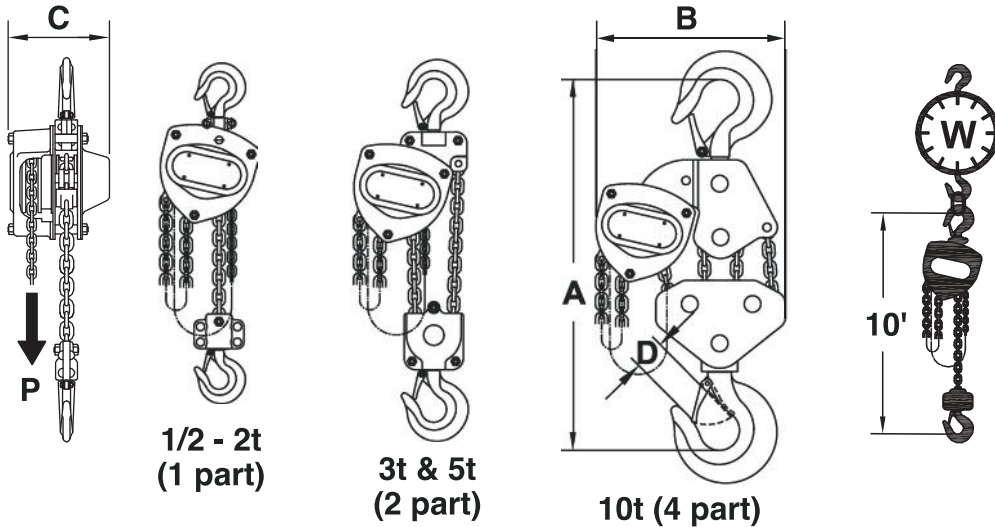
Before using these products; read and follow instructions in the operator's manual. Never exceed capacity. Do not use for lifting people or loads over people.

Hand Chain Hoist

½ to 10 Metric ton Capacity

FEATURES

- ▶ Hand chain opening is formed with radius allowing operation from side or even above, permitting use for lifting or pulling.
- ▶ Hand chains and load chains are Zinc plated.
- ▶ Available in lifts of 10, 20 and 30 feet. Custom lifts/drops available.



Option: V = Overload Protection

How to Order: By descriptive model number

Example: Model CB030-20-18V = 3t hoist with 20' lift 18' drop, overload protection

SPECIFICATIONS AND DIMENSIONS (inches and pounds unless noted)

Base Model#	WLL Metric ton	Weight (lbs) 10 Lift	Chain# & Size (mm)	Load Chain Lb.Ft.	Hand Chain Lb.Ft.	Effort P (lbs.) @ WLL	Falls	A	B	C	D with latch
CB005	0.5t (1100 lbs)	22	C6X18ZC	0.54	0.38	45	1	10.6	5.4	5.4	1.10
CB010	1t (2200 lbs)	26	C6X18ZC	0.54	0.38	72	1	13.4	6.4	5.8	1.02
CB015	1.5t (3300 lbs)	42	C8X24ZC	0.92	0.38	81	1	15.7	7.2	6.7	1.28
CB020	2t (4400 lbs)	44	C8X24ZC	0.92	0.38	82	1	16.3	7.6	6.7	1.26
CB030	3t (6600 lbs)	59	C8X24ZC	1.84	0.38	87	2	20.9	8.7	6.7	1.46
CB050	5t (11000 lbs)	101	C10X30ZC	2.96	0.38	98	2	25.0	11.3	7.5	1.80
CB100	10t (22000 lbs)	183	C10X30ZC	5.92	0.38	98	4	29.3	15.1	7.5	1.97



Before using these products; read and follow instructions in the operator's manual. Never exceed capacity. Do not use for lifting people or loads over people.



Mini Hoists

Mini Chain Hoist

1/4 & 1/2 Metric ton Capacity

FEATURES

- ▶ Planetary gearing is used to minimize operator effort and to reduce stress on the brake components.
- ▶ Small size allows operation and storage in tight places.
- ▶ Lightweight and durable all steel construction with plated frame components and durable chrome exterior finish to resist corrosion.
- ▶ Grade 80 Zinc plated alloy load chain.
- ▶ Sleeve bearings used to maximize serviceability and provide good efficiency.
- ▶ Self-adjusting pawl and Weston style mechanical load brake ensures positive load control.
- ▶ Meets: ASME/ANSI B30, OSHA, NASA-STD-8719.9.
- ▶ ATEX rated Ex II 3 GD c IIB 54° C X for limited use in hazardous environments.



How to Specify Lever Model:

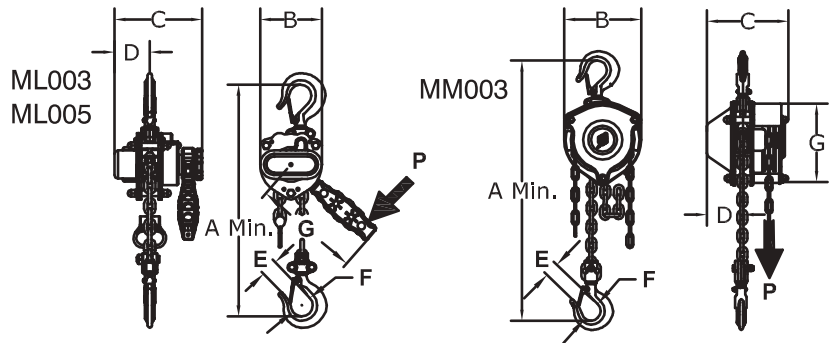
Example ML005-20
(1/2t Capacity, 20 ft lift)

Model	Lift
ML005	20

How to Specify Hand Chain Model:

Example MM003-20-18
(1/4t Capacity, 20 ft lift and 18 ft hand chain drop)

Model	Lift	Drop
MM003	20	18



M & L Series Specifications and Dimensions (inches and pounds)

Model	Working Load Limit (WLL)		Chain	A Min.	B	C	D	E	F	G	Effort P (lbs)	W (lbs) 5' lift
	Maximum	*Minimum										
MM003	1/4t / 550 lbs	0 lbs	C4X12Z	9.1	3.9	4.3	1.9	0.6	1	4.3	26	7.7
ML003	1/4t / 550 lbs	33 lbs	C4X12Z	8.5	3	4.6	1.6	0.6	1	6.2	28	4.9
ML005	1/2t / 1100 lbs	40 lbs	C5X15Z	10	3.5	5.3	2	0.8	1.3	7.1	40	7.7

* **Lever Min. capacity** is the load required to set the automatic safety brake. The brake will stop a load even if the operator leaves the unit in free chain mode and in neutral, in a similar way as a seat belt reacts.

Standard lift is 5 & 10 ft for Lever and 8 ft for Hand Chain Hoist models. All hoists are load tested at 125% Capacity.



Before using these products; read and follow instructions in the operator's manual. Never exceed capacity. Do not use for lifting people or loads over people.

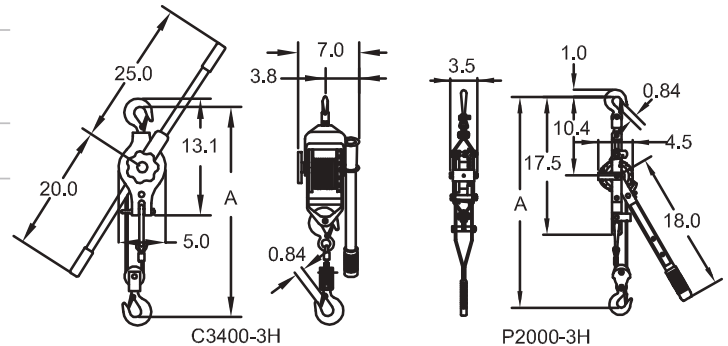


Cable Puller

1/2 to 1 1/2 Metric ton Capacity

FEATURES

- ▶ 3 Hook design allows 1 or 2 part rigging for a choice of capacity and lift.
- ▶ Galvanized aircraft quality wire rope, stainless springs and plated external parts for corrosion resistance.
- ▶ C3400 has a lightweight aluminum frame. P2000 has a formed steel frame. Both have a one piece cast aluminum drum.
- ▶ C3400 has an overload indicating reversible handle that changes position easily, so pull is always possible in the right direction against the load. The handle on the C3400 bends noticeably when overloaded.
- ▶ Safety latches on alloy steel load hooks.
- ▶ "One notch at a time" ratchet and pawl lowering for precise load control.
- ▶ Buttress tooth with solid steel drive and holding dog, no laminated plates.
- ▶ Spring steel drum shield helps protect and spool cable evenly on drum.
- ▶ Meets: ASME/ANSI B30.21, OSHA and NASA-STD-8719.9.
- ▶ ATEX rated Ex II 3 GD c IIB 54° C X for limited use in hazardous environments.



SPECIFICATION AND DIMENSIONS (inches and pounds)

Model	ASME B30.21 (4:1 Design Factor) Working Load Limit @ Falls & Lift	"A" Min. Between Hooks	Av. Pull @ Max. Load	Cable Size (in)	Hook Opening w/Latch	Lever Length	Weight
P2000-3H	WLL 1000 lbs @ 1 part & 15 ft lift	21"	60 lbs	3/16	0.91"	18"	10 lbs
	WLL 2000 lbs @ 2 parts & 7.5 ft lift	27.5"					
C3400-3H	WLL 1700 lbs @ 1 part & 20 ft lift	17"	80 lbs	1/4	0.94"	25"	16 lbs
	WLL 3400 lbs @ 2 parts & 10 ft lift	23.8"					



Before using these products; read and follow instructions in the operator's manual. Never exceed capacity. Do not use for lifting people or loads over people.



The Easiest Trolley Installation Ever

FEATURES

- ▶ ½ to 5t installation and adjustment by rotating the threaded hanger shaft.
- ▶ 10-30t installation from one side. Hanger shafts are fixed mounted to the opposite side plate.
- ▶ Trolleys up to 5t have a 5:1 design factor for use with powered or manual hoist. Trolleys 10t and greater have a 4:1 design factor and must be derated for use with powered hoist.
- ▶ Machined cast iron wheels with universal tread designed to fit flat or tapered beam flanges.
- ▶ Low headroom design with precision sealed “lubed for life” bearings assure smooth operation.
- ▶ Durable all steel construction with standard safety lugs.
- ▶ Geared trolley hand chain comes standard with 20 feet of drop.
- ▶ Meets: ASME/ANSI B30.16, OSHA, NASA-STD-8719.9, EU Directives: 2006/42/EC
- ▶ ATEX rated Ex II 3 GD c IIB 54° C X for limited use in hazardous environments.

Options:

- ▶ Extended hand chain drop (standard with 20 ft)
- ▶ Wide Flange Kits for ½-5t with 12” flange adjustment (may be ordered separately)



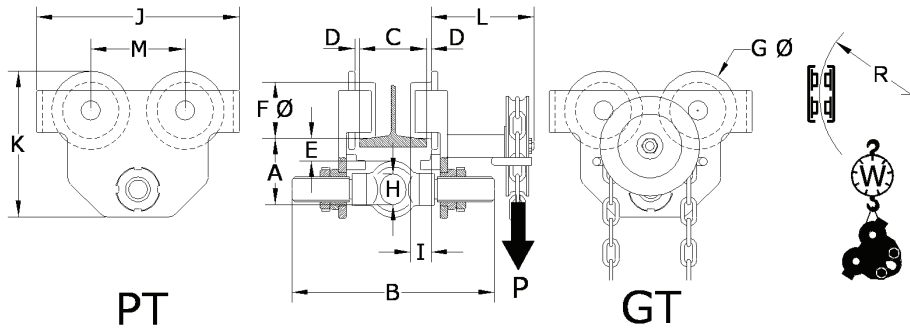
*** Wide Flange Kit Specifications And Dimensions (inches & lbs)**

WLL	For Model	Trolley w/Kit Weight (lbs)	B w/Kit	C w/Kit	Shaft Kit weight (lbs)	Wide Shaft Kit (Order Separately)
½t	PT005	19.1	14.8	6.3-12.01	5.1 lbs	PT005-FLG-12
1t	PT010	25.1	15.2		6.0 lbs	PT010-FLG-12
	GT010	36.1			9.0 lbs	PT020-FLG-12
2t	PT020	42.2	15.6		12.8 lbs	PT030-FLG-12
	GT020	53.2			17.9 lbs	PT050-FLG-12
3t	PT030	72.6	16.1			
	GT030	85.6				
5t	PT050	97.8	16.3			
	GT050	111.8				

* Refer to page 16 drawings



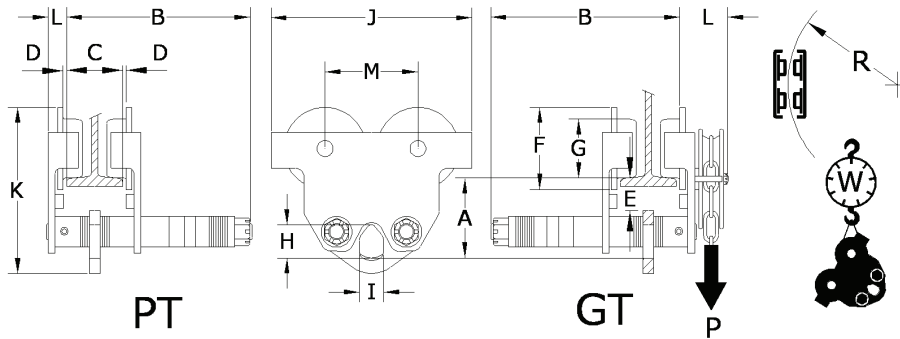
Before using these products; read and follow instructions in the operator’s manual. Never exceed capacity. Do not use for lifting people or loads over people.



1/2 to 5 Metric ton PT & GT SERIES SPECIFICATIONS and DIMENSIONS (Inches and Pounds)

Base Model	WLL (5:1)	A	B1	B2	Standard C1	Wide Flg Kit C2	D	E	F	G	H	I	J	K	L	M	P* (lbs)	R Min	W1 (lbs)	W2 (Lbs)
PT005	1/2t	3.3	11.5	14.8	1.97-8.66	6.30-12.01	0-0.12	1.5	2.3	3.4	1.2	0.9	8.9	6.8	----	4.0	----	36	18	19
PT010	1t	3.7	11.8	15.2	2.28-8.66	6.30-12.01	0-0.12	1.7	2.4	3.7	1.4	0.9	9.9	7.4	----	----	40	24	25	
GT010-20															4.5	18		35	36	
PT020	2t	4.4	12.2	15.6	2.60-8.66	6.30-12.01	0-0.12	1.6	3.2	4.6	1.9	1.0	11.8	8.9	----	----	48	40	42	
GT020-20															4.5	34		51	53	
PT030	3t	5.8	12.8	16.1	2.91-8.66	6.30-12.01	0-0.12	2.5	3.9	5.5	2.3	1.3	14.2	11.4	----	----	52	69	72	
GT030-20															5.3	27		83	85	
PT050	5t	6.3	13.0	16.3	3.54-8.66	6.30-12.01	0-0.12	2.2	4.3	5.9	2.8	1.5	15.4	12.3	----	----	56	94	97	
GT050-20															5.4	36		108	111	

* Effort



10 TO 30 Metric ton PT & GT SERIES SPECIFICATIONS (inches and pounds)

Base Model	WLL (4:1)	A	B	C	D	E	F	G	H	I	J	K	L	M	Effort P (lbs)	R Min	W (lbs)
PT100	10t	7.5	15.5	4.9-12	0.08-0.13	1.8	7.0	5.4	4.4	2.8	18.1	15.5	1.8	7.9	----	79	198
GT100-20													4.3		54		207
PT160	16t	9.3	17.1	5.4-12	0.08-0.13	2.4	8.9	6.6	5.4	3.7	22.6	19.6	3.0	10.7	----	138	427
GT160-20													6.0		54		447
GT200-20	20t	9.2	17.1	5.4-12	0.08-0.13	2.3	8.9	6.9	5.4	3.7	22.6	19.6	6.0	10.7	56	138	458
GT300-20	30t	11.2	17.8	6.9-12	0.08-0.13	2.7	11.2	9.1	6.1	4.1	28.7	24.4	6.2	13.5	56	236	848



PTL & GTL Trolley

Army Style Low Headroom Trolley

½ to 10 Metric ton Capacity



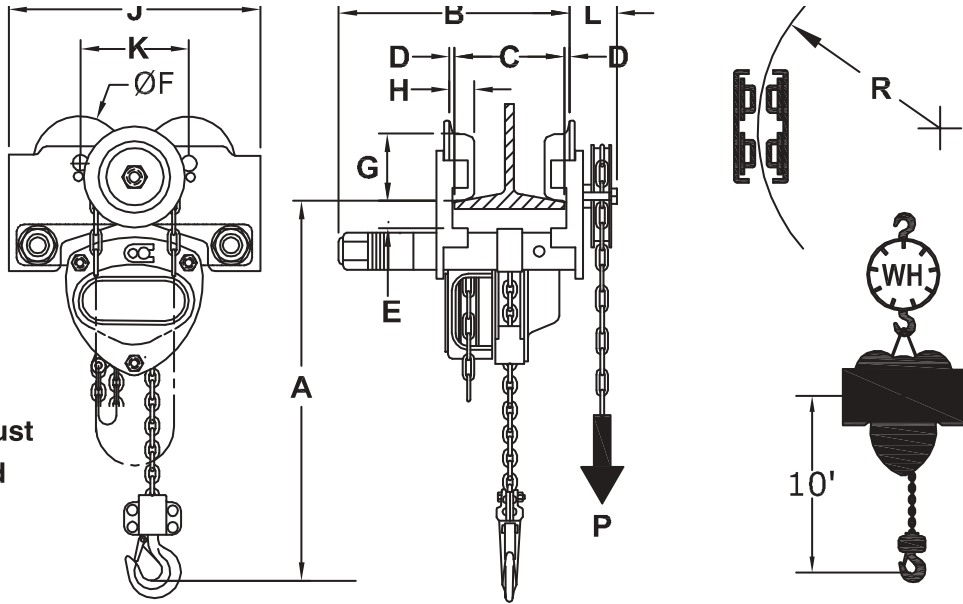
FEATURES

- ▶ Low headroom design increases lift height in low ceiling areas.
- ▶ Direct mount to any standard MA model AMH hoist by replacing the top hook assembly with the low headroom trolley assembly.
- ▶ Durable all steel construction.
- ▶ Machined cast iron wheels with precision sealed “lubed for life” bearings and universal tread design to fit flat or tapered beam flanges.
- ▶ Standard hand chain drop is 20 feet.
- ▶ Meets: ASME/ANSI B30.16, OSHA, NASA-STD-8719.9.
- ▶ ATEX rated Ex II 3 GD c IIB 54°C X for limited use in hazardous environments.
- ▶ **Options:** Extended hand chain drop.



Before using these products; read and follow instructions in the operator's manual. Never exceed capacity. Do not use for lifting people or loads over people.

Hoist and Trolley Kit must be purchased separately.

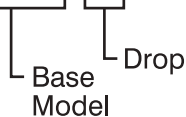


PTL & GTL SERIES SPECIFICATION AND DIMENSIONS (inches and pounds)

Model	WLL	A	B	C	D	E	F	G	H	J	K	L	P (lbs)	R Min	Includes Hoist W(lbs)
PTL005	1/2t	11.6	9.8	2.0-8.0	0.06-0.12	1.2	3.1	2.2	0.7	10.2	3.9	3.0	----	31	46
GTL005-20													6		57
PTL010	1t	13.0	14.0	2.5-12.0	0.06-0.12	1.5	3.8	2.7	0.8	11.5	5.0	3.1	----	35	51
GTL010-20													11		62
PTL020	2t	16.1	14.3	3.5-12.0	0.06-0.12	1.5	4.3	3.1	0.9	14.2	5.4	3.3	----	39	86
GTL020-20													20		97
PTL030	3t	19.0	14.7	3.9-12.0	0.06-0.12	1.7	5.2	3.9	1.1	16.9	6.2	3.4	----	47	158
GTL030-20													21		169
PTL050	5t	25.2	15.0	4.5-12.0	0.06-0.12	1.6	5.7	4.3	1.4	17.6	6.8	3.7	----	51	222
GTL050-20													31		233
PTL075	7.5t	26.9	15.6	4.9-12.0	0.08-0.14	1.8	7.0	5.4	1.6	25.2	7.9	4.3	----	79	324
GTL075-20													42		335
PTL100	10t	30.8	15.6	4.9-12.0	0.08-0.14	1.8	7.0	5.4	1.6	25.2	7.9	4.3	----	79	342
GTL100-20													54		353

How to Order, by descriptive model number

Example: Model GTL050 - 20



If assembly to a hoist is required then note on the order.



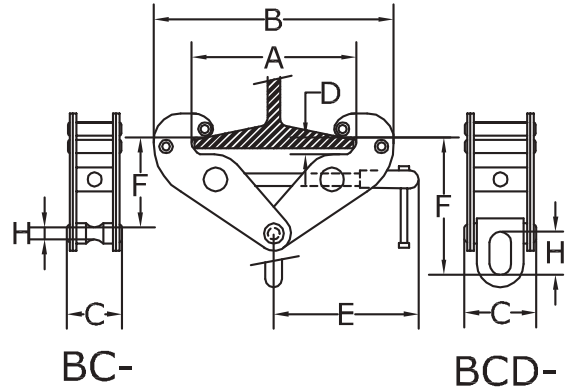
BC Clamp

Beam Clamps

1 to 10 Metric ton Capacity

FEATURES

- ▶ 5:1 design factor for use with powered or manual hoist.
- ▶ The easy way to install a fixed hoist mount or rigging point.
- ▶ Simple installation by hand, no tools required.
- ▶ Compact and portable low headroom design.
- ▶ Available with (BCD model) or without (BC model) a movable shackle.
- ▶ “Theatrical Black” color. All parts are a matte black color.
- ▶ Meets OSHA, ASME B30, NASA-STD-8719.9 and EU Directives: 2006/42/EC



SPECIFICATION (Inches & Lbs)		(WLL) Capacity from Vertical				A" Adjustment	B" Max	C"	D"	E"	F" Max	H"	Weight Lbs.
		@0°	@15°	@30°	@45°								
1t	BC-01	2,200	0	0	0	3.1 - 9.6	14.6	3.7	0.75	7.8	5.6	0.8	7.7
	BCD-01	2,200	1,800	1,500	1,100					8.6	7.8	1.7	9.0
2t	BC-02	4,400	0	0	0	3.1 - 9.6	14.6	4.0	0.75	7.8	5.6	0.8	9.9
	BCD-02	4,400	3,700	2,900	2,200					8.6	7.8	1.7	11.00
3t	BC-03	6,600	0	0	0	3.5 - 13.0	19.7	5.2	1.12	10.4	7.8	0.9	20.9
	BCD-03	6,600	5,500	4,400	3,300					10.9	11.00	2.4	22.4
5t	BC-05	11,000	0	0	0	3.5 - 13.0	19.7	5.6	1.41	10.4	8.2	0.9	24.2
	BCD-05	11,000	9,100	7,300	5,500					10.9	11.00	2.4	26.2
10t	BC-10	22,000	0	0	0	3.5 - 13.8	20.6	7.1	1.50	11.2	8.4	1.5	35.2
	BCD-10	22,000	18,300	14,500	11,000					11.9	13.00	3.6	40.5



Before using these products; read and follow instructions in the operator's manual. Never exceed capacity. Do not use for lifting people or loads over people.



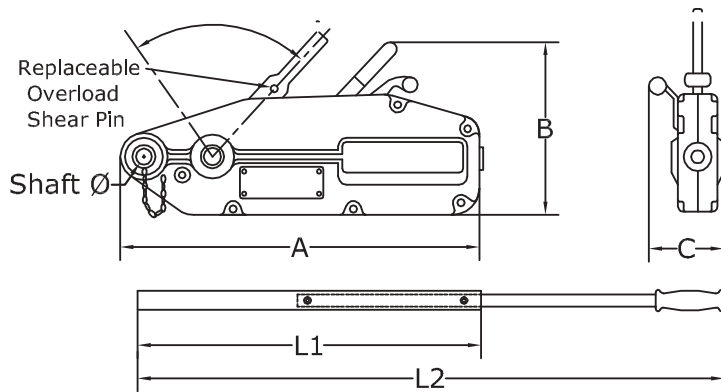
Walk-E-Dog™

Wire Rope Pulling Hoist

2000, 4000 & 8000 Lb WLL

FEATURES

- ▶ Portable lightweight aluminum construction is durable and resists corrosion.
- ▶ ANY length of commercially available 6x19S IWRC wire rope can be used for unlimited reach. (contact us for further details)
- ▶ Smooth operation with precise control.
- ▶ Telescoping handle allows the operator to optimize pull and stroke.
- ▶ Long service life and low maintenance requiring only periodic cleaning, lubrication and inspection.
- ▶ Overload protection is provided by a shear pin that is easily replaced. 4 extra shear pins are supplied in the lever grip or carrying handle compartments.
- ▶ Meets ASME/ANSI B30.21, OSHA and NASA-STD-8719.9 for manually lifting with a 4:1 SF
- ▶ ATEX rated Ex II 3 GD c IIB 54° C X for limited use in hazardous environments.
- ▶ 66 ft. wire rope may be ordered separately.



6X19S Wire Rope Assembly

(Must be ordered separately)

Part #	Size	Weight	Length
WD05RA66	5/16"	15 Lbs	66 Ft
WD07RA66	7/16"	28 Lbs	66 Ft
WD10RA66	5/8"	41 Lbs	66 Ft

Walk-e-Dog Model	Wire Rope	ANSI/ASME B30.21 OSHA & NASA		Weight Lbs.	A	B	C	Shaft Ø	L1	L2	Advance /Stroke	Hand Pull @WLL
		WLL @ 4:1	SF									
WD05	5/16"	2000 lbs	1T	13.2	17.4"	9.6"	2.6"	0.88"	----	32.7"	2.1"	76 lbs
WD07	7/16"	4000 lbs	2T	24.2	22.2"	11.4"	4.0"	1.00"	32.7"	49.0"	2.3"	88 lbs
WD10	5/8"	8000 lbs	4T	48.4	26.9"	13.3"	4.7"	1.20"	32.7"	49.0"	1.1"	97 lbs



Before using these products; read and follow instructions in the operator's manual. Never exceed capacity. Do not use for lifting people or loads over people.



Too HOT?

See For Yourself!



440° F

550° F

570° F

610° F

660° F

750° F

Since the early 2000s, all CARTEC Grade 80 and 100 items are supplied with powder coat paint.

This paint has the characteristic of being an excellent indicator of overheating, as it changes color as the temperature rises.

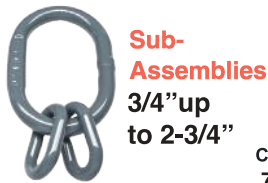
Above 390 F, the product color changes from red/orange to brown, and turns black at 750 F.

CARTEC
MADE IN ITALY

Crane Attachments



Master Links
1/2" up to 2-3/4"



Sub-Assemblies
3/4" up to 2-3/4"

INLINE Clevis Shortening Hook Assemblies



Clevis Shortening Hook
7/32"-1/4" up to 5/8"



Clevis Master Set 1-Leg
9/32" up to 5/8"



Clevis Master Set 2-Leg
9/32" up to 5/8"



Clevis Master Set 4-Leg
9/32" up to 5/8"

Connecting Link



Connecting Links
7/32" up to 1-1/4"



Eye Grab Hooks
7/32" up to 1-1/4"



Clevis Grab Hooks
7/32" up to 7/8"



Shortening Clutch
9/32" up to 5/8"



Clevis Shortening Clutch
7/32" up to 5/8"

Bottom Hooks



CAX
7/32"-1-1/4"



CRFX
7/32"-7/8"



CBX
7/32"-7/8"



CRGX
7/32"-5/8"



CROX
7/32"-7/8"



CYX
7/32"-1-1/4"



CYFX
7/32"-5/8"

Design Factor		Single Leg Sling	Double Leg Sling				Triple & Quad Leg Sling		
4:1									
Angle		90°	60°	45°	30°	60°	45°	30°	
Load Factor		1	1.7	1.4	1	2.6	2.1	1.5	
Chain Size		Work Load (lbs)							
inch	mm								
7/32"	6	3,000	5,100	4,200	3,000	7,800	6,300	4,500	
9/32"	7	4,300	7,400	6,100	4,300	11,200	9,100	6,400	
5/16"	8	5,700	9,900	8,100	5,700	14,800	12,100	8,500	
3/8"	10	8,800	15,200	12,400	8,800	22,900	18,700	13,200	
1/2"	13	15,000	26,000	21,200	15,000	39,000	31,800	22,500	
5/8"	16	22,600	39,100	32,000	22,600	58,700	47,900	33,900	
3/4"	20	35,300	61,100	49,900	35,300	91,700	74,900	53,000	
7/8"	22	42,700	74,000	60,400	42,700	110,900	90,600	64,000	
1"	26	59,700	103,400	84,400	59,700	155,100	126,600	89,550	
1-1/4"	32	90,400	156,600	127,800	90,400	234,900	191,700	135,600	

Temperature Resistance: Retains 100% of work load limit at minus 40° to 400° F
Not for temperatures over 400° F



Blue Painted Finish

Nominal Chain Size	Material Diameter		WLL		Pitch = Inside Length		min. Inside Width		lbs per foot	Drum QTY ft	Part #
	in	in	mm	lbs	kg	in	mm	in			
7/32	0.230	6	3,000	1,400	0.71	18	0.319	8.1	0.54	400	G10A06
9/32	0.276	7	4,300	1,950	0.87	22	0.398	10.1	0.74	1200	G10A07
5/16	0.315	8	5,700	2,600	0.94	24	0.469	11.9	0.94	1000	G10A08
3/8	0.394	10	8,800	4,000	1.18	30	0.550	14.0	1.48	600	G10A10
1/2	0.512	13	15,000	6,800	1.54	39	0.736	18.7	2.55	400	G10A13
5/8	0.630	16	22,600	10,300	1.89	48	0.858	21.8	3.82	300	G10A16
3/4	0.787	20	35,300	16,000	2.36	60	1.067	27.1	6.40	150	G10A20
7/8	0.866	22	42,700	19,400	2.60	66	1.260	32.0	7.52	150	G10A22
1	1.024	26	59,700	27,080	3.07	78	1.421	36.1	10.20	100	G10A26
1 1/4	1.259	32	90,400	41,000	3.77	96	1.637	41.6	16.33	164	G10A32

DRAK-MASTER LINK MARKINGS:



Manufacturers Brand, Grade 10 (Grade Level) and Country of Origin

H-Stamp = European quality marking

CE-marking



Chain Diameter (mm) the Master Link will fit on

Batch code

Size in inches

CARTEC HOOK MARKINGS:

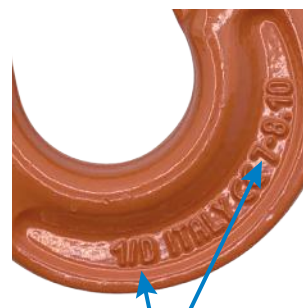


Manufacturers Brand Name

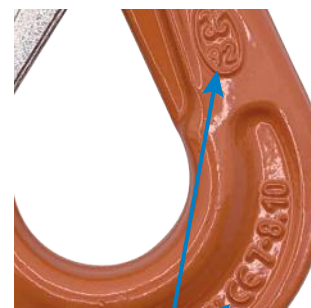
Inch Size



Part Number



Batch Code Size in Metric Grade 10



Hallmark H-92 & CE (European Quality Markings)

For use with Chain Slings

AX Welded Master Links



Part #	Trade Size (in)	WLL 4:1 (lbs)	Weight (lbs)	Inside Dimensions (in)			For Chain Size	
				i-length	i-width	dia	1 leg	2 leg
AX13	1/2	6,000	0.75	4.33	2.36	0.51	7/32", 9/32", 5/16"	7/32"
AX16W	5/8	8,600	1.47	5.51	3.15	0.63	5/16"	9/32"
AX18W	3/4	12,900	2.02	5.91	3.54	0.71	3/8"	5/16"
AX22	7/8	17,600	3.30	6.30	3.54	0.87	1/2"	3/8"
AX26	1	30,000	5.06	7.09	3.94	1.02	5/8"	1/2"
AX32	1-1/4	39,100	8.58	7.87	4.33	1.26	3/4"	5/8"
AX36	1-1/2	61,100	13.97	10.24	5.51	1.42	7/8"	3/4"
AX45	1-3/4	74,000	28.16	13.39	7.09	1.77	1"	7/8"
AX51	2	103,400	37.84	13.78	7.48	2.01	1-1/4"	1"
AX57	2-1/4	178,900	53.24	15.75	7.87	2.24	-----	1-1/4"
AX63	2-1/2	200,000	73.85	16.54	8.27	2.48	-----	-----
AX71	2-3/4	271,000	101.41	18.11	9.84	2.80	-----	-----



AKX Welded Master Link Assemblies



Part #	Trade Size (in)	WLL 4:1 (lbs)	Weight (lbs)	Inside Dim. Masters (in)			Inside Dim. Subs (in)			For Chain Size
				i-length	i-width	dia	i-length	i-width	dia	
AKX1813W	3/4	11,200	2.90	5.91	3.54	0.71	2.13	0.98	0.51	7/32"+9/32"
AKX2216	7/8	15,200	4.88	6.30	3.54	0.87	2.76	1.34	0.63	9/32"+5/16"
AKX2618	1	26,000	7.39	7.09	3.94	1.02	3.35	1.57	0.71	3/8"
AKX3222	1-1/4	39,000	13.24	7.87	4.33	1.26	4.53	1.97	0.87	1/2"
AKX3626	1-1/2	58,700	21.98	10.24	5.51	1.42	5.51	2.56	1.02	5/8"
AKX4532	1-3/4	91,700	41.56	13.39	7.09	1.75	5.91	2.76	1.26	3/4"
AKX5136	2	110,900	56.76	13.78	7.48	2.01	6.69	2.95	1.42	7/8"
AKX5740	2-1/4	155,100	77.44	15.75	7.87	2.24	6.69	3.15	1.57	1
AKX7150	2-3/4	235,000	149.60	18.11	9.84	2.76	7.87	3.93	1.97	1-1/4"



AWX Welded Master Link Assemblies with Extra Large Sub-Links



Part #	Trade Size (in)	WLL 4:1 (lbs)	Weight (lbs)	Inside Dim. Masters (in)			Inside Dim. Subs (in)			For Chain Size
				i-length	i-width	dia	i-length	i-width	dia	
AWX1813	3/4	11,200	3.52	5.91	3.54	0.71	4.33	2.36	0.51	7/32"+9/32"
AWX2216	7/8	15,200	5.63	6.30	3.54	0.87	4.33	2.36	0.63	9/32"+5/16"
AWX2618	1	26,000	8.58	7.09	3.94	1.02	5.31	2.95	0.71	3/8"
AWX3222	1-1/4	39,000	15.18	7.87	4.33	1.26	6.30	3.55	0.87	1/2"
AWX3626	1-1/2	58,700	24.09	10.24	5.51	1.42	7.09	3.94	1.02	5/8"
AWX4540	1-3/4	110,900	67.24	13.39	7.09	1.75	11.81	6.30	1.63	3/4"

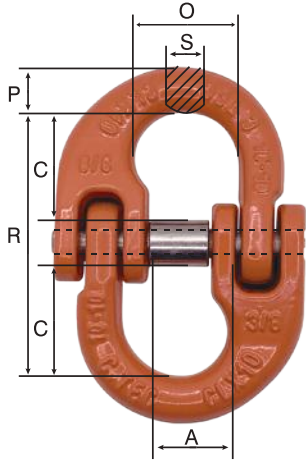


AWXO Welded Master Link Assemblies for Large Crane Hooks with Large Sub-Links



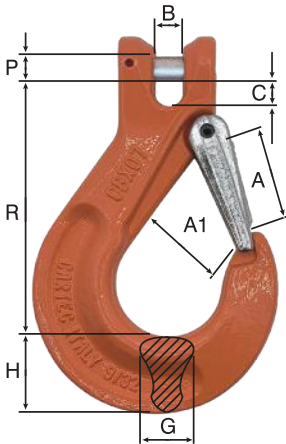
Part #	WLL 4:1 (lbs)	Weight (lbs)	Inside Dim. Masters (in)			Inside Dim. Subs (in)			For Chain Size
			i-length	i-width	dia	i-length	i-width	dia	
AWXO3016	14,800	14.37	13.40	7.10	1.18	4.33	2.36	0.63	9/32-5/16
AWXO3018	22,900	15.55			1.18	5.31	2.95	0.71	3/8
AWXO4022	39,000	28.60			1.57	6.30	3.54	0.87	1/2
AWXO4026	58,700	32.10			1.57	7.09	3.94	1.02	5/8

CLX Connecting Link



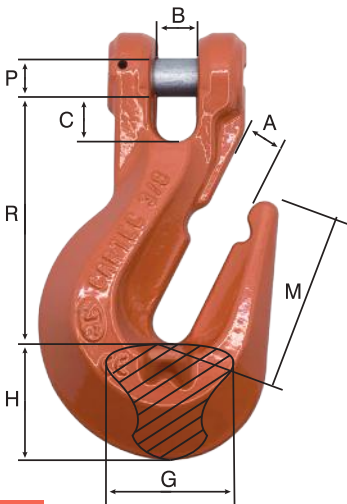
		Dimensions (in)						Weight (lbs)	WLL (lbs)
For Chain Size	Part #	A	C	O	R	P	S		
7/32-1/4	CLX 06	0.55	0.71	0.71	1.77	0.31	0.30	0.15	3,000
9/32	CLX 07	0.70	0.79	0.81	1.99	0.40	0.35	0.31	4,300
5/16	CLX 08	0.75	1.00	0.93	2.44	0.45	0.39	0.44	5,700
3/8	CLX 10	0.94	1.18	1.08	2.83	0.50	0.50	0.77	8,800
1/2	CLX 13	1.10	1.42	1.31	3.44	0.75	0.66	1.63	15,000
5/8	CLX 16	1.35	1.59	1.56	4.13	0.81	0.81	2.56	22,600
3/4	CLX 20	1.65	1.81	1.81	4.45	1.10	0.98	5.51	35,300
7/8	CLX 22	1.93	2.17	2.28	5.24	1.14	1.10	6.83	42,700
1	CLX 26	2.24	3.35	2.76	7.56	1.57	1.18	14.99	59,700
1-1/4	CLX 32	3.15	3.33	3.70	8.11	1.85	1.38	25.35	90,400

CBX Clevis Sling Hook with Forged Latch



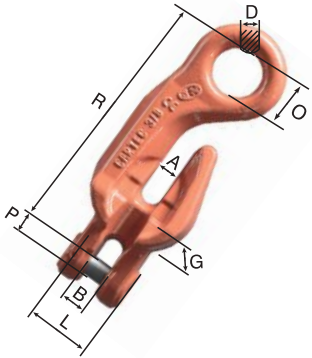
		Dimensions (in)									Weight (lbs)	WLL (lbs)
For Chain Size	Part #	A	A1	B	C	G	H	R	PXL			
7/32-1/4	CBX 06SF	1.02	0.75	0.28	0.31	0.59	0.79	2.72	0.3 X 0.69	0.68	3,000	
9/32	CBX 07SF	1.34	1.02	0.37	0.39	0.75	1.10	3.74	0.35 X 0.89	1.41	4,300	
5/16	CBX 08SF	1.34	1.02	0.37	0.39	0.75	1.10	3.74	0.39 X 0.89	1.35	5,700	
3/8	CBX 10SF	1.57	1.22	0.47	0.53	0.98	1.30	4.33	0.51 X 1.16	2.59	8,800	
1/2	CBX 13SF	2.01	1.57	0.59	0.67	1.18	1.57	5.35	0.63 X 1.46	4.66	15,000	
5/8	CBX 16SF	2.20	1.77	0.71	0.87	1.46	1.89	6.10	0.79 X 2.05	7.67	22,600	
3/4	CBX 20SF	2.36	2.09	0.91	1.02	2.01	2.05	7.28	0.94 X 2.87	14.99	35,300	
7/8	CBX 22SF	2.76	2.44	1.02	1.14	1.97	2.48	8.27	1.02 X 2.83	20.08	42,700	

CFX Clevis Grab Hook with Saddle



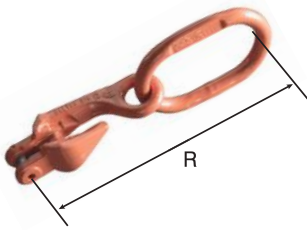
		Dimensions (in)									Weight (lbs)	WLL (lbs)
For Chain Size	Part #	A	B	C	G	H	R	M	PXL			
7/32-1/4	CFX 06	0.31	0.29	0.35	0.87	0.87	2.03	1.40	0.30 X 0.69	0.44	3,000	
9/32	CFX 07	0.39	0.39	0.45	1.18	1.10	2.62	1.85	0.35 X 0.89	0.97	4,300	
5/16	CFX 08	0.39	0.39	0.43	1.18	1.10	2.60	1.85	0.39 X 0.89	0.97	5,700	
3/8	CFX 10	0.51	0.51	0.59	1.73	1.34	3.15	2.17	0.51 X 1.24	2.12	8,800	
1/2	CFX 13	0.67	0.63	0.69	2.09	1.85	4.15	3.19	0.63 X 1.65	4.63	15,000	
5/8	CFX 16	0.75	0.75	0.72	2.52	2.36	4.40	3.62	0.83 X 2.03	7.50	22,600	
3/4	CFX 20	0.93	0.91	0.87	3.35	2.56	4.65	3.94	0.94 X 2.42	11.46	35,300	
7/8	CFX 22	1.02	1.02	0.98	3.62	2.68	6.06	4.72	1.02 X 2.83	17.20	42,700	

CDFX INLINE Clevis Shortening Hook



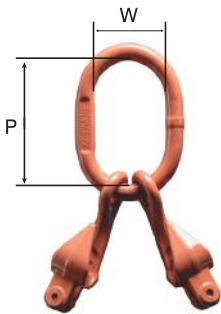
		Dimensions (In)										
For Chain Size	Part #	A	B	D	G	H	O	R	PxL	Weight (lbs)	WLL (lbs)	
7/32-1/4	CDFX06	0.31	0.30	0.35	1.14	1.46	0.71	3.35	0.30 x 0.69	0.66	3,000	
9/32	CDFX07	0.37	0.39	0.47	1.54	2.13	0.94	4.82	0.35 x 0.89	1.48	4,300	
5/16	CDFX08	0.37	0.39	0.47	1.54	2.13	0.94	4.80	0.39 x 0.89	1.48	5,700	
3/8	CDFX10	0.51	0.47	0.57	1.97	2.76	1.22	6.30	0.51 x 1.24	2.87	8,800	
1/2	CDFX13	0.63	0.61	0.71	2.52	3.62	1.46	8.03	0.63 x 1.65	6.61	15,000	
5/8	CDFX16	0.79	0.73	0.94	3.15	4.01	1.89	9.13	0.83 x 2.03	11.46	22,600	

CDFXA1 INLINE Clevis Master Set 1-Leg



		Dimensions (In)							
For Chain Size	Part #	D	W	P	R	Weight (lbs)	WLL (lbs)		
9/32	CDFXA107	0.51	2.36	4.33	9.13	2.65	4,300		
5/16	CDFXA108	0.63	2.36	4.33	9.13	2.95	5,700		
3/8	CDFXA110	0.71	2.95	5.31	11.61	4.89	8,800		
1/2	CDFXA113	0.87	3.54	6.30	14.33	9.91	15,000		
5/8	CDFXA116	1.02	3.94	7.09	16.22	16.52	22,600		

CDFXA2 INLINE Clevis Master Set 2-Leg



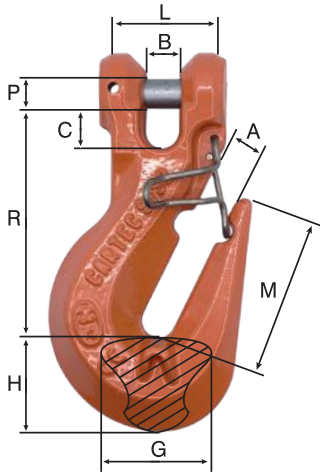
		Dimensions (In)							
For Chain Size	Part #	D	W	P	R	Weight (lbs)	WLL (lbs)		
9/32	CDFXA207	0.63	2.36	4.33	9.06	4.43	7,400		
5/16	CDFXA208	0.71	2.95	5.31	10.04	4.98	9,900		
3/8	CDFXA210	0.87	3.54	6.30	12.59	8.82	15,200		
1/2	CDFXA213	1.02	3.94	7.09	15.03	16.98	26,000		
5/8	CDFXA216	1.26	4.33	7.87	16.92	29.76	39,100		

CDFXA4 INLINE Clevis Master Set 4-Leg



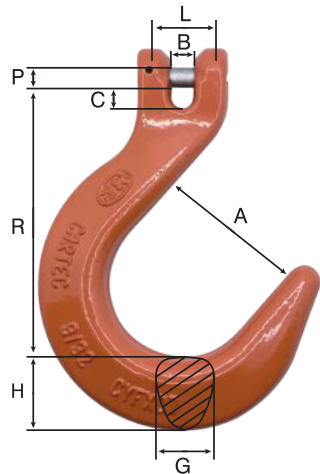
		Dimensions (In)							
For Chain Size	Part #	D	W	P	R	Weight (lbs)	WLL (lbs)		
9/32	CDFXA407	0.87	3.54	6.30	13.78	10.36	11,200		
5/16	CDFXA408	0.87	3.54	6.30	13.78	10.36	14,800		
3/8	CDFXA410	1.02	3.94	7.09	16.73	18.96	22,900		
1/2	CDFXA413	1.26	4.33	7.87	20.47	37.48	39,000		
5/8	CDFXA416	1.42	5.51	10.24	25.00	63.93	58,700		

CFXS Clevis Grab Hook with Saddle & Latch



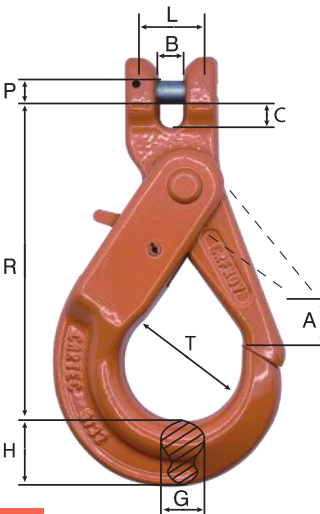
		Dimensions (In)								Weight (lbs)	WLL (lbs)
For Chain Size	Part #	A	B	C	G	H	R	M	PXL		
9/32	CFX 07S	0.39	0.39	0.45	1.18	1.10	2.62	1.85	0.35 X 0.89	0.97	4,300
5/16	CFX 08S	0.39	0.39	0.43	1.18	1.10	2.60	1.85	0.39 X 0.89	0.97	5,700
3/8	CFX 10S	0.51	0.51	0.59	1.73	1.34	3.15	2.17	0.51 X 1.24	2.12	8,800
1/2	CFX 13S	0.67	0.63	0.69	2.09	1.85	4.15	3.19	0.63 X 1.65	4.63	15,000
5/8	CFX 16S	0.75	0.75	0.72	2.52	2.36	4.40	3.62	0.83 X 2.03	7.50	22,600

CYFX Clevis Foundry Hook



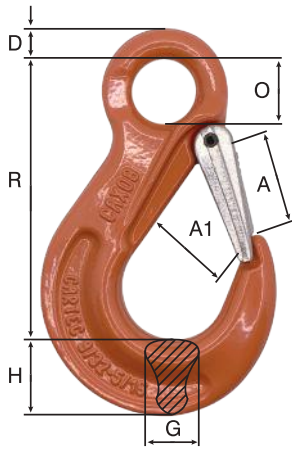
		Dimensions (In)								Weight (lbs)	WLL (lbs)
For Chain Size	Part #	A	B	C	G	H	R	PXL			
7/32-1/4	CYFX 06	2.11	0.33	0.26	0.87	1.02	3.58	0.30 X 0.69	1.54	3,000	
9/32	CYFX 07	2.52	0.39	0.45	1.02	1.22	4.74	0.35 X 0.89	2.43	4,300	
5/16	CYFX 08	2.52	0.39	0.45	1.02	1.22	4.74	0.39 X 0.89	2.43	5,700	
3/8	CYFX 10	2.99	0.51	0.59	1.18	1.34	5.16	0.51 X 1.24	3.75	8,800	
1/2	CYFX 13	3.5	0.67	0.69	1.57	1.75	5.83	0.63 X 1.65	7.94	15,000	
5/8	CYFX 16	3.98	0.75	0.85	1.77	1.99	7.81	0.83 X 2.03	12.35	22,600	

CRFX Clevis Self Locking Hook



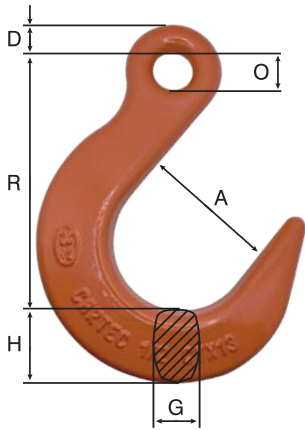
		Dimensions (In)								Weight (lbs)	WLL (lbs)
For Chain Size	Part #	A	B	C	G	H	R	T	PXL		
7/32-1/4	CRFX 06	1.10	0.28	0.31	0.63	0.83	3.70	1.38	0.30 X 0.69	1.10	3,000
9/32	CRFX 07	1.34	0.35	0.39	0.79	1.02	4.84	1.69	0.35 X 0.89	2.09	4,300
5/16	CRFX 08	1.34	0.35	0.39	0.79	1.02	4.84	1.69	0.39 X 0.89	2.09	5,700
3/8	CRFX 10	1.77	0.47	0.55	0.98	1.18	5.63	2.20	0.51 X 1.24	3.53	8,800
1/2	CRFX 13	2.01	0.59	0.67	1.38	1.57	7.09	2.72	0.63 X 1.65	7.05	15,000
5/8	CRFX 16	2.36	0.75	0.75	1.42	1.97	8.46	3.15	0.83 X 2.03	13.23	22,600
3/4	CRFX 20	2.76	0.91	1.02	2.36	2.64	9.96	3.54	0.94 X 2.87	21.61	35,300
7/8	CRFX 22	3.23	1.02	1.26	2.44	2.76	11.30	3.94	1.02 X 2.83	31.75	42,700

CAX Eye Sling Hook with Forged Latch



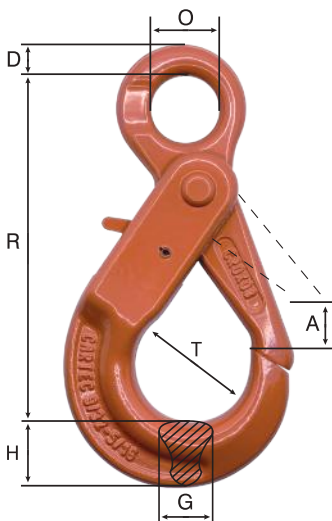
Dimensions (in)										
For Chain Size	Part #	A	A1	D	G	H	O	R	Weight (lbs)	WLL (lbs)
7/32-1/4	CAX 06SF	1.02	0.75	0.39	0.63	0.79	0.79	3.19	0.55	3,000
9/32-5/16	CAX 08SF	1.30	1.02	0.43	0.75	1.14	0.98	3.98	1.10	5,700
3/8	CAX 10SF	1.57	1.22	0.63	1.02	1.30	1.34	5.16	2.14	8,800
1/2	CAX 13SF	2.01	1.57	0.75	1.30	1.65	1.69	6.26	4.19	15,000
5/8	CAX 16SF	2.20	1.77	0.96	1.57	1.97	1.97	7.20	7.28	22,600
3/4	CAX 20SF	2.36	2.05	1.06	1.89	2.09	2.17	7.99	9.92	35,300
7/8	CAX 22SF	2.76	2.44	1.14	1.97	2.36	2.36	8.82	15.65	42,700
1	CAX 26SF	3.03	2.87	1.38	2.36	2.95	2.76	10.12	26.46	59,700
1-1/4	CAX 32SF	4.02	3.70	1.65	2.87	3.58	3.31	13.19	61.06	90,400

CYX Eye Foundry Hook



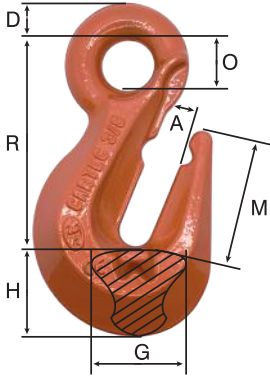
Dimensions (in)										
For Chain Size	Part #	A	D	G	H	O	R	Weight (lbs)	WLL (lbs)	
7/32-1/4	CYX 06	2.11	0.45	0.87	1.02	0.59	4.04	1.34	3,000	
9/32-5/16	CYX 08	2.44	0.53	0.98	1.14	0.94	5.04	2.03	5,700	
3/8	CYX 10	2.99	0.55	0.90	1.18	1.26	5.91	3.90	8,800	
1/2	CYX 13	3.50	0.75	1.50	1.57	1.06	6.81	6.22	15,000	
5/8	CYX 16	4.02	0.94	1.77	1.89	1.85	8.27	11.09	22,600	
3/4	CYX 20	4.49	1.10	2.13	2.36	2.20	10.24	16.76	35,300	
7/8	CYX 22	5.00	1.26	2.48	2.76	2.17	10.83	27.12	42,700	
1	CYX 26	5.35	1.38	2.83	3.15	2.44	12.01	39.46	59,700	
1-1/4	CYX 32	6.02	1.50	3.31	3.74	2.76	12.99	60.19	90,400	

CROX Eye Self Locking Hook



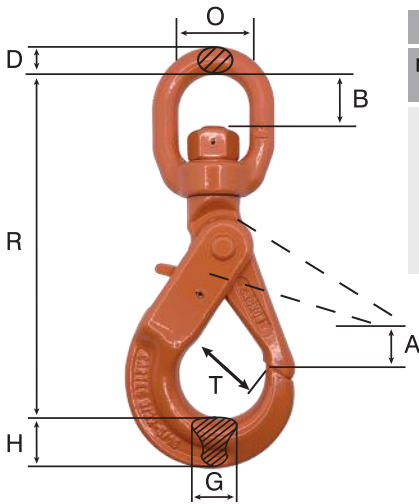
Dimensions (in)										
For Chain Size	Part #	A	D	G	H	O	R	T	Weight (lbs)	WLL (lbs)
7/32-1/4	CROX 06	1.10	0.43	0.63	0.83	0.83	4.29	1.38	1.10	3,000
9/32-5/16	CROX 08	1.34	0.47	0.79	1.02	1.06	5.31	1.69	2.12	5,700
3/8	CROX 10	1.77	0.63	0.98	1.18	1.34	6.61	2.20	3.64	8,800
1/2	CROX 13	2.01	0.79	1.38	1.57	1.57	8.07	2.72	7.17	15,000
5/8	CROX 16	2.36	1.06	1.42	1.97	1.97	9.88	3.15	13.45	22,600
3/4	CROX 20	2.76	1.18	2.36	2.64	2.36	11.42	3.54	21.61	35,300
7/8	CROX 22	3.15	1.26	2.44	2.76	2.76	12.68	3.94	31.75	42,700

CDX Eye Grab Hook with Saddle



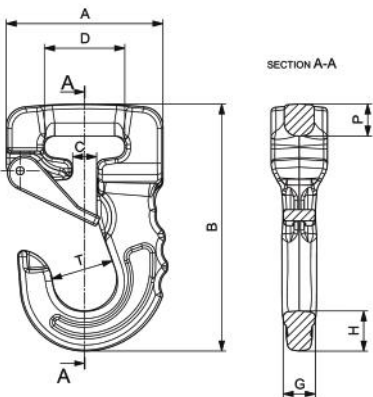
Dimensions (In)										
For Chain Size	Part #	A	D	G	H	O	R	M	Weight (lbs)	WLL (lbs)
7/32-1/4	CDX 06	0.31	0.33	0.87	0.87	0.53	2.11	1.40	0.40	3,000
9/32-5/16	CDX 08	0.39	0.43	1.18	1.10	0.67	2.76	1.85	0.88	5,700
3/8	CDX 10	0.51	0.59	1.73	1.34	0.87	3.41	2.17	1.94	8,800
1/2	CDX 13	0.67	0.71	2.09	1.85	1.02	4.35	3.19	4.30	15,000
5/8	CDX 16	0.75	0.83	2.52	2.36	1.26	5.08	3.62	7.05	22,600
3/4	CDX 20	0.93	0.91	3.35	2.52	1.50	6.04	3.94	10.8	35,300
7/8	CDX 22	1.02	1.18	3.43	2.80	1.65	7.24	4.53	16.53	42,700
1	CDX 26	1.20	1.42	3.94	3.54	2.17	8.39	5.00	28.66	59,700
1 1/4	CDX 32	1.52	1.73	6.30	4.41	2.36	9.65	7.87	67.24	90,400

CRGX Swivel Self Locking Hook



Dimensions (In)											
For Chain Size	Part #	R	A	B	O	D	G	H	T	Weight (lbs)	WLL (lbs)
7/32-1/4	CRGX 06	6.30	1.10	1.06	1.42	0.51	0.63	0.83	1.38	1.32	3,000
9/32-5/16	CRGX 08	7.17	1.34	1.06	1.42	0.51	0.79	1.02	1.69	2.43	5,700
3/8	CRGX 10	8.54	1.77	1.38	1.77	0.63	0.98	1.18	2.20	4.41	8,800
1/2	CRGX 13	10.67	2.13	1.77	1.97	0.83	1.38	1.57	2.72	8.82	15,000
5/8	CRGX 16	12.60	2.44	2.28	2.44	0.94	1.50	1.97	3.15	14.99	22,600

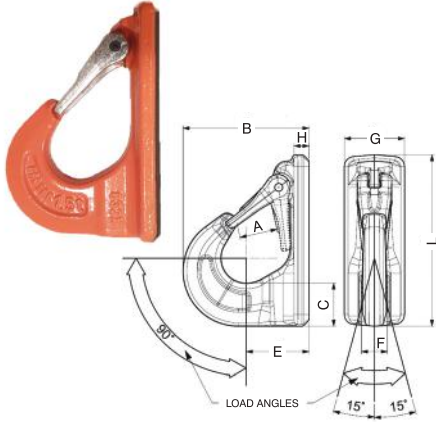
CJ Alloy Hooks for Synthetic Slings • 5:1 Design Factor



Dimensions (In)											
Part#	Color	A	B	C	D	G	H	P	T	Weight (lbs)	WLL (lbs)
CJ026	Purple	3.07	4.84	0.47	1.61	0.67	0.79	0.63	1.22	1.54	2,600
CJ053	Green	3.58	5.83	0.75	2.17	0.83	1.02	0.67	1.57	2.65	5,300
CJ084	Yellow	4.45	6.89	0.83	2.17	0.98	1.26	0.98	1.97	4.85	8,400
CJ132	Red	5.24	8.78	1.57	2.76	1.42	1.57	1.42	2.34	9.92	13,200

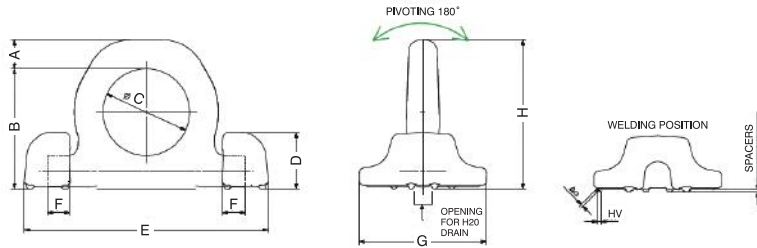


832X Weld-On Bucket Hooks



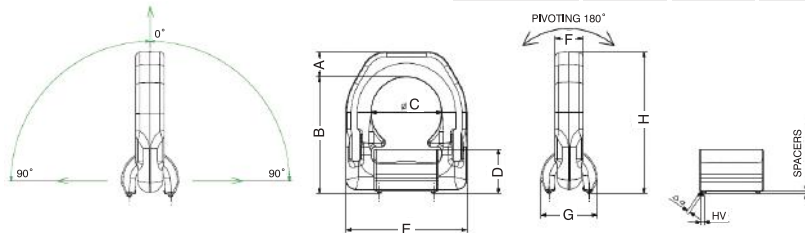
Dimensions (In)										
Part#	WLL tons	A	B	C	E	F	G	H	L	Weight lbs.
C832X015	1.5	0.98	3.11	1.10	1.57	0.59	1.58	0.39	4.61	1.54
C832X025	2.5	1.18	3.98	1.38	1.85	0.83	1.97	0.39	5.79	3.09
C832X040	4	1.46	4.96	1.69	2.48	1.02	2.36	0.59	6.73	5.95
C832X067	6.7	1.89	6.22	2.13	2.80	1.30	2.76	0.59	8.19	10.58

820X Weld-On Lifting Ring Double Base



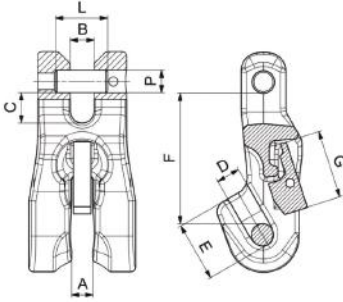
Dimensions (In)										
Part#	WLL tons	A	B	C	D	E	F	G	H	Weight lbs.
C820X04	4	0.55	2.56	1.89	1.14	5.28	0.55	2.36	3.11	1.61
C820X067	6.7	0.79	3.27	2.36	1.54	6.65	0.63	3.46	4.06	3.97
C820X10	10	0.87	3.78	2.56	1.89	7.72	0.77	3.86	4.65	6.61
C820X16	16	1.22	4.96	3.54	2.17	10.39	1.14	5.00	6.10	12.68
C820X30	30	1.65	6.89	5.12	3.11	14.61	1.77	6.18	8.54	35.27

830XM Weld-On Lifting Ring Single-Base w/Spring



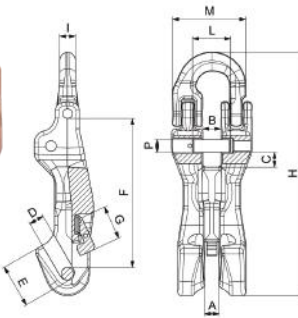
Dimensions (In)										
Part#	WLL tons	A	B	C	D	E	F	G	H	Weight lbs.
C830X015M	1.5	0.55	2.56	1.50	0.98	2.60	0.63	1.22	3.11	0.86
C830X025M	2.5	0.63	2.95	1.77	1.06	3.03	0.71	1.36	3.58	1.30
C830X040M	4	0.71	3.31	2.01	1.26	3.43	0.79	1.57	4.02	1.92
C830X067M	6.7	0.94	4.61	2.65	1.73	4.53	1.02	2.30	5.55	4.92
C830X010M	10	1.22	4.96	2.64	2.17	5.08	1.12	2.78	6.18	7.34
C830X016M	16	1.77	6.85	3.94	2.72	7.48	1.65	3.43	8.62	20.46

CXX Shortening Clutch with Safety



		Dimensions (In)											
For Chain Size	Part #	A	B	C	D	E	F	G	PxL	Weight Lbs.	WLL Lbs.		
7/32-1/4	CXX 06	0.31	0.31	0.39	0.31	0.75	1.77	0.91	0.30 x 0.69	0.46	3,000		
9/32	CXX 07	0.37	0.37	0.39	0.37	0.93	2.20	1.14	0.35 x 0.89	1.06	4,300		
5/16	CXX 08	0.37	0.37	0.39	0.37	0.93	2.20	1.14	0.39 x 0.89	1.06	5,700		
3/8	CXX 10	0.47	0.47	0.57	0.47	1.28	3.07	1.42	0.51 x 1.24	2.47	8,800		
1/2	CXX 13	0.61	0.61	0.71	0.61	1.73	3.54	1.38	0.63 x 1.65	4.03	15,000		
5/8	CXX 16	0.75	0.83	0.83	0.75	1.97	4.17	1.50	0.83 x 2.03	6.24	22,600		
3/4	CXX 20	0.94	0.93	0.94	0.94	2.66	5.24	1.73	0.94 x 2.42	14.88	35,300		

CXXL Shortening Clutch with Semi-Connecting Link

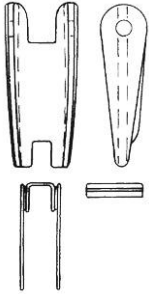


		Dimensions (In)												
For Chain Size	Part #	A	B	C	D	E	F	G	H	I	M	PxL	Weight Lbs.	WLL Lbs.
9/32	CXXL 07S	0.37	0.37	0.39	0.37	0.93	2.20	1.14	6.22	0.33	1.75	0.35 x 1.34	1.81	4,300
5/16	CXXL 08S	0.37	0.37	0.39	0.37	0.93	2.20	1.14	6.46	0.39	1.97	0.39 x 1.34	1.87	5,700
3/8	CXXL 10S	0.47	0.47	0.57	0.47	1.28	3.07	1.42	7.60	0.49	2.38	0.51 x 1.54	3.55	8,800
1/2	CXXL 13S	0.61	0.61	0.71	0.61	1.73	3.54	1.38	9.82	0.63	2.99	0.63 x 2.09	7.21	15,000
5/8	CXXL 16S	0.75	0.83	0.83	0.75	1.97	4.17	1.50	11.93	0.79	3.82	0.83 x 2.76	12.68	22,600

Threaded
and Weld-on
Lifting Points
Page 48

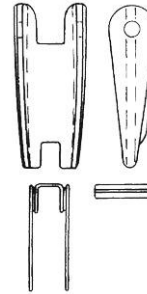


CKSX Forged Latch Kit for Gr100 Sling Hooks



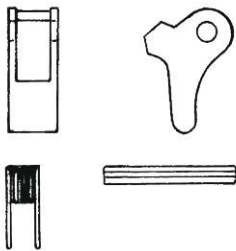
Part#	Chain size inch	For Use With
CKSX06	7/32-1/4	CAX06SF, CBX06SF
CKSX08	9/32-5/16	CAX08SF, CBX07SF, CBX08SF
CKSX10	3/8	CAX10SF, CBX10SF
CKSX13	1/2	CAX13SF, CBX13SF
CKSX16	5/8	CAX16SF, CBX16SF
CKSX20	3/4	CAX20SF, CBX20SF
CKSX22	7/8	CAX22SF, CBX22SF
CKXS26	1	CAX26SF
CKSX32	1-1/4	CAX32SF

CKS Latch for CJ Hook



Part#	For Use With
CKS08	CJ026 Purple
CKS10	CJ053 Green
CKS10	CJ084 Yellow
CKS13	CJ132 Red

CKSLX Trigger Kit for Gr100 Self-Locking Hooks



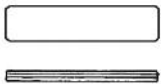
Part#	Chain size inch	For Use With
CKSLX06	7/32-1/4	CRFX06, CROX06, CRGX06
CKSLX08	9/32-5/16	CFRX07, CRFX08, CROX08, CRGX08
CKSLX10	3/8	CRFX10, CROX10, CRGX10
CKSLX13	1/2	CRFX13, CROX13, CRGX13
CKSLX16	5/8	CRFX16, CROX16, CRGX16
CKSLX20	3/4	CRFX20, CROX20
CKSLX22	7/8	CRFX22, CROX22

CKXCDX Latch for Grab Hook



Part#	For Use With
CKXCDX08	CDX08
CKXCDX10	CDX10
CKXCDX13	CDX13
CKXCDX16	CDX16

CKPX Pin Kits for Gr100 Clevis Style Fittings



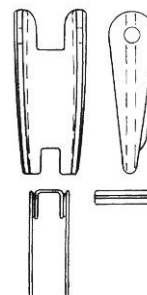
Part#	Chain size inch	For Use With
CKPX06	7/32-1/4	CFX06, CRFX06, CXX06, CYFX06, CDFX06, CDFXA106, CDFXA206, CDFXA406
CKPX06B	7/32-1/4	CBX06SF
CKPX07	9/32	CBX07SF, CFX07, CRFX07, CXX07, CYFX07, CDFX07, CDFXA107, CDFXA207, CDFXA407
CKPX08	5/16	CBX08SF, CFX08, CRFX08, CXX08, CYFX08, CDFX08, CDFXA108, CDFXA208, CDFXA408
CKPX10	3/8	CRFX10, CXX10
CKPX10B	3/8	CBX10SF
CKPX10F	3/8	CFX10, CYFX10, CDFX10, CDFXA110, CDFXA210, CDFXA410
CKPX13	1/2	CRFX13, CXX13
CKPX13B	1/2	CBX13SF
CKPX13F	1/2	CFX13, CYFX13, CDFX13, CDFXA113, CDFXA213, CDFXA413
CKPX16	5/8	CRFX16, CXX16
CKPX16B	5/8	CBX16SF
CKPX16F	5/8	CFX16, CYFX16, CDFX16, CDFXA116, CDFXA216, CDFXA416
CKPX20	3/4	CFX20
CKPX20B	3/4	CBX20SF, CRFX20
CKPX22	7/8	CBX22SF, CFX22S, CRFX22

CLKX Collar and Pin Kit for CLX Connecting Link



Part#	For Use With
CLKX06	Kit for 7/32-1/4 link
CLKX07	Kit for 9/32 link
CLKX08	Kit for 5/16 link
CLKX10	Kit for 3/8 link
CLKX13	Kit for 1/2 link
CLKX16	Kit for 5/8 link
CLKX20	Kit for 3/4 link
CLKX22	Kit for 7/8 link
CLKX26	Kit for 1" link
CLKX32	Kit for 1-1/4 link

CK832 Latch for Bucket Hooks



Part#	For Use With
CK832X015	C832X015
CK832X025	C832X025
CK832X040	C832X040
CK832X067	C832X067

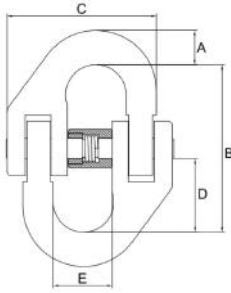


GREY CLASSIC^{TAIWAN}TM Dual Rated Fittings

Powder Coated Finish • 4:1 Design Factor
(For use with G80 or G100 Chain)

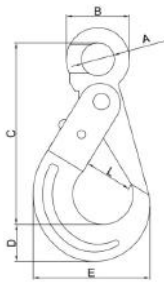
GRADE 100

CLM Connecting Link



Part #	Trade Size	WLL (lbs)	Weight (lbs)	Dimensions (in)				
				A	B	C	D	E
10CLM06	7/32	2,700	0.20	0.29	1.73	1.50	0.75	0.63
10CLM08	9/32-5/16	5,700	0.40	0.45	2.20	1.97	0.98	0.91
10CLM10	3/8	8,800	0.73	0.55	2.62	2.44	1.18	1.14
10CLM13	1/2	15,000	1.44	0.73	3.23	3.09	1.42	1.34
10CLM16	5/8	22,600	2.71	0.91	4.13	3.82	1.85	1.61
10CLM20	3/4	35,300	4.85	0.98	4.96	4.33	2.17	1.93
10CLM22	7/8	42,700	7.72	1.10	5.99	5.20	2.64	2.28
10CLM26	1	59,700	12.57	1.22	6.26	6.06	2.74	2.51

ESLH Eye Self-locking Hook with Hidden Trigger



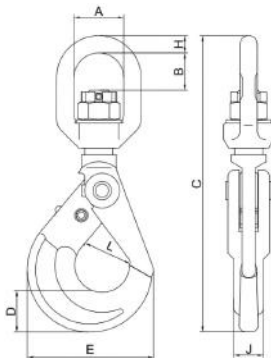
Part #	Trade Size	WLL (lbs)	Weight (lbs)	Dimensions (in)					
				A	B	C	D	E	L
10ESLH06HT	7/32	2,700	1.13	0.87	1.73	4.21	0.87	2.95	1.10
10ESLH08HT	9/32-5/16	5,700	1.94	0.94	1.81	5.24	0.98	3.39	1.30
10ESLH10HT	3/8	8,800	3.58	1.26	2.48	6.57	1.34	4.37	1.77
10ESLH13HT	1/2	15,000	7.05	1.54	3.15	8.07	1.57	5.35	2.05
10ESLH16HT	5/8	22,600	13.78	1.93	3.82	10.31	2.09	6.81	2.52
10ESLH20HT	3/4	35,300	20.94	2.32	4.49	11.10	2.52	7.87	3.03
10ESLH22HT	7/8	42,700	32.63	2.76	5.51	12.20	2.91	9.17	3.62

CSLH Clevis Self-locking Hook with Hidden Trigger



Part #	Trade Size	WLL (lbs)	Weight (lbs)	Dimensions (in)					
				A	B	C	D	E	L
10CSLH06HT	7/32	2,700	1.29	0.28	1.30	3.86	0.87	2.95	1.10
10CSLH08HT	9/32-5/16	5,700	2.05	0.35	1.54	4.72	0.98	3.39	1.30
10CSLH10HT	3/8	8,800	3.80	0.51	1.89	5.91	1.34	4.37	1.77
10CSLH13HT	1/2	15,000	7.34	0.59	2.20	7.28	1.57	5.35	2.05
10CSLH16HT	5/8	22,600	13.93	0.67	2.99	8.66	2.09	6.81	2.52
10CSLH20HT	3/4	35,300	21.38	0.91	3.19	9.25	2.13	7.87	3.03
10CSLH22HT	7/8	42,700	30.64	0.98	4.13	10.24	2.91	9.17	3.62

SSLH Swivel Self-locking Hook with Bronze Bushings & Hidden Trigger



Part #	Trade Size	WLL (lbs)	Weight (lbs)	Dimensions (in)						
				A	B	C	D	E	H	L
10SSLH06HT	7/32	2,700	1.53	1.18	0.79	7.01	0.87	2.95	0.39	1.10
10SSLH08HT	9/32-5/16	5,700	2.88	1.38	1.26	8.98	0.98	3.39	0.55	1.30
10SSLH10HT	3/8	8,800	4.85	1.65	1.50	10.83	1.34	4.37	0.63	1.77
10SSLH13HT	1/2	15,000	9.41	2.05	1.93	13.94	1.57	5.35	0.79	2.05
10SSLH16HT	5/8	22,600	17.64	2.36	2.05	16.46	2.09	6.81	0.91	2.52
10SSLH20HT	3/4	35,300	28.00	3.15	2.83	18.50	2.13	7.87	1.06	3.03
10SSLH22HT	7/8	42,700	46.30	3.90	3.90	22.56	2.91	9.17	1.30	3.62

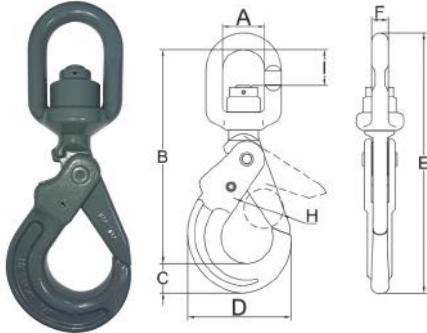


GREY CLASSIC^{TAIWAN}TM Dual Rated Fittings

Powder Coated Finish • 4:1 Design Factor
(For use with G80 or G100 Chain)

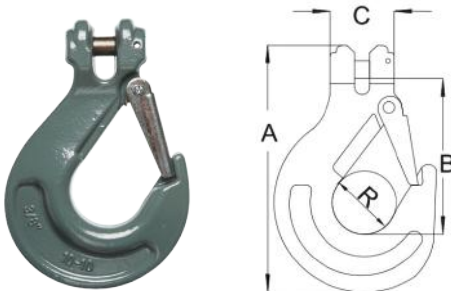
GRADE 100

SSLHBB Swivel Self-locking Hook with Ball Bearings & Hidden Trigger



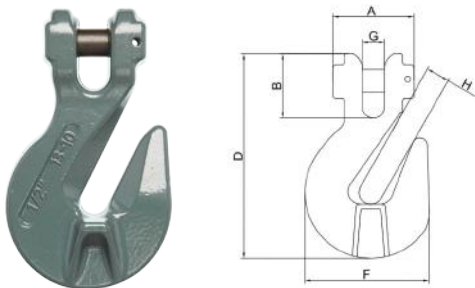
Part #	Trade Size	WLL (lbs)	Weight (lbs)	Dimensions (in)							
				A	B	C	D	E	F	H	I
10SSLH06HTBB	7/32	2,700	1.98	1.18	4.72	0.98	3.03	7.09	0.41	1.10	0.73
10SSLH08HTBB	9/32-5/16	5,700	3.32	1.69	7.91	0.98	3.39	9.53	0.55	1.30	1.30
10SSLH10HTBB	3/8	8,800	5.51	1.93	9.45	1.34	4.37	11.38	0.63	1.77	1.50
10SSLH13HTBB	1/2	15,000	10.30	2.24	11.93	1.57	5.35	14.29	0.83	2.05	1.93
10SSLH16HTBB	5/8	22,600	18.14	2.36	13.39	2.09	6.81	16.14	0.91	2.52	1.93
10SSLH20HTBB	3/4	35,300	27.23	3.15	14.96	2.13	7.87	18.50	1.06	3.03	2.68
10SSLH22HTBB	7/8	42,700	45.64	3.90	18.54	2.91	9.17	22.56	1.30	3.62	3.90

CSH Clevis Sling Hook with Latch



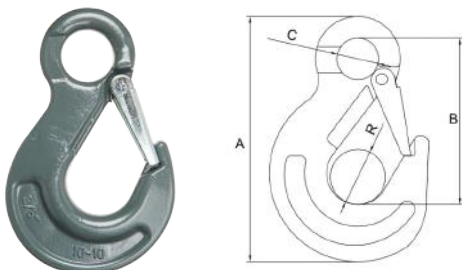
Part #	Trade Size	WLL (lbs)	Weight (lbs)	Dimensions (in)			
				A	B	C	R
10CSH08L	9/32-5/16	5,700	1.34	5.28	3.35	1.46	0.94
10CSH10L	3/8	8,800	2.49	6.50	3.94	1.95	1.14
10CSH13L	1/2	15,000	4.59	7.74	4.96	2.24	1.46
10CSH16L	5/8	22,600	9.83	10.12	6.81	2.62	1.89
10CSH20L	3/4	35,300	19.33	12.39	8.50	3.39	2.36
10CSH22L	7/8	42,700	25.35	12.91	8.27	3.54	2.44

CGH Clevis Grab Hook with Saddle



Part #	Trade Size	WLL (lbs)	Weight (lbs)	Dimensions (in)					
				A	B	D	F	G	H
10CGH08	9/32-5/16	5,700	0.86	1.54	1.10	3.80	2.28	0.37	0.37
10CGH10	3/8	8,800	1.98	1.81	1.44	5.04	2.85	0.47	0.47
10CGH13	1/2	15,000	3.49	2.26	1.73	6.22	3.66	0.59	0.59
10CGH16	5/8	22,600	5.29	2.91	2.17	7.40	4.33	0.75	0.77
10CGH20	3/4	35,300	9.26	3.15	2.72	8.50	5.26	0.91	0.98
10CGH22	7/8	42,700	15.43	3.54	2.81	9.84	5.91	0.98	1.02

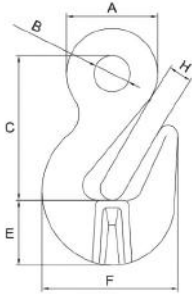
ESH Eye Sling Hook with Latch



Part #	Trade Size	WLL (lbs)	Weight (lbs)	Dimensions (in)			
				A	B	C	R
10ESH08L	9/32-5/16	5,700	1.12	5.31	3.70	0.96	0.94
10ESH10L	3/8	8,800	2.27	6.89	4.80	1.30	1.14
10ESH13L	1/2	15,000	4.37	8.64	5.98	1.57	1.46
10ESH16L	5/8	22,600	9.74	10.79	7.99	1.97	1.89
10ESH20L	3/4	35,300	18.74	13.07	9.49	2.44	2.36

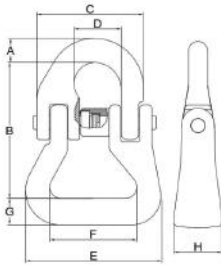


EGH Eye Grab Hook with Saddle



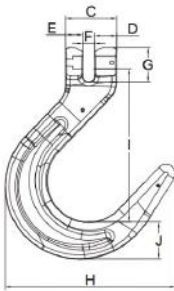
Part #	Trade Size	WLL (lbs)	Weight (lbs)	Dimensions (in)					
				A	B	C	E	F	H
10EGH08	9/32-5/16	5,700	0.73	1.40	0.59	2.28	1.02	2.22	0.39
10EGH10	3/8	8,800	1.67	1.75	0.77	2.99	1.46	2.85	0.47
10EGH13	1/2	15,000	3.09	2.34	0.94	4.02	1.65	3.66	0.59
10EGH16	5/8	22,600	4.85	2.76	1.18	4.45	1.81	4.20	0.87
10EGH20	3/4	35,300	7.74	3.27	1.46	5.28	2.20	5.08	0.89
10EGH22	7/8	42,700	13.69	3.60	1.48	6.02	2.64	5.81	1.02

CWC Chain to Web Connecting Link



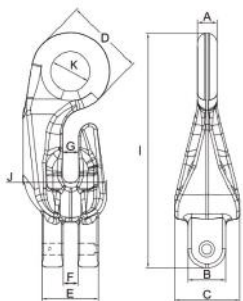
Part #	Chain Size Inches	WLL (lbs.)	Weight (lbs.)	Dimensions (in)							
				A	B	C	D	E	F	G	H
10CWC08	9/32-5/16	5,700	0.72	0.43	2.48	1.97	0.91	2.48	1.57	0.55	0.94
10CWC10	3/8	8,800	1.31	0.55	3.15	2.40	1.14	3.03	1.97	0.59	1.10
10CWC13	1/2	15,000	2.45	0.67	3.74	2.99	1.34	3.66	2.36	0.75	1.30
10CWC16	5/8	22,600	4.65	0.83	4.65	3.66	1.61	4.65	2.95	0.90	1.65

CFH Clevis Foundry Hook



Part#	Trade size	WLL (lbs)	Weight (lbs)	Dimensions (in)							
				C	D	E	F	G	H	J	
10CFH08	9/32-5/16	5,700	2.11	1.59	0.69	0.53	0.37	1.07	5.33	1.16	
10CFH10	3/8	8,800	4.24	1.85	0.75	0.61	0.49	1.32	6.19	1.42	
10CFH13	1/2	15,000	6.94	2.03	0.79	0.63	0.61	1.75	7.60	1.57	
10CFH16	5/8	22,600	11.61	2.97	1.18	1.06	0.73	2.20	8.73	1.85	

ISC In-Line Shortening Clutch

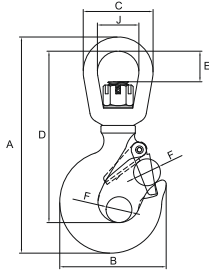


Part #	Trade size	WLL (lbs)	Weight (lbs)	Dimensions (in)									
				A	B	C	D	E	F	G	K	I	J
10ISC07	9/32	4,300	1.49	0.48	0.94	1.54	1.91	1.48	0.43	0.45	0.95	5.93	2.09
10ISC08	5/16	5,700	1.49	0.48	0.94	1.54	1.91	1.48	0.43	0.45	0.95	5.93	2.09
10ISC10	3/8	8,800	3.32	0.57	1.14	1.97	2.31	1.83	0.53	0.55	1.22	7.71	2.73
10ISC13	1/2	15,000	6.55	0.71	1.46	2.52	2.87	1.99	0.59	0.61	1.46	9.73	3.61
10ISC16	5/8	22,600	11.60	0.96	1.83	3.15	3.82	2.74	0.73	0.81	1.91	11.44	4.03



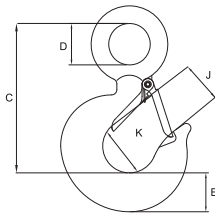
BLUE CLASSIC[™] TAIWAN[™] Alloy Hooks with Latch Powder Coat Matte Finish 5:1 Design Factor

Alloy Swivel Hooks with Latch



Part #	WLL	Weight (lbs)	Dimensions (in)						
			A	B	C	D	E	F	J
ASH0100A	1t	0.99	5.81	2.86	2.02	4.57	0.85	0.63	1.24
ASH0150A	1-1/2t	1.50	6.81	3.06	2.52	5.43	1.26	0.79	1.50
ASH0200A	2t	2.96	8.58	3.84	3.27	6.81	1.69	0.91	1.97
ASH0300A	3t	3.66	8.84	4.23	3.27	7.01	1.50	0.98	1.97
ASH0500A	5t	6.76	10.98	5.20	4.21	8.74	2.05	1.34	2.76
ASH0700A	7t	11.11	13.23	6.46	4.72	10.55	2.09	1.97	2.99

Alloy Eye Hooks with Latch



Part #	WLL	Weight (lbs)	Dimensions (in)				
			C	D	E	J	K
0120SA	1.25t	0.73	3.23	0.77	0.83	0.79	1.26
0160SA	1.6t	1.04	3.66	0.98	0.91	0.87	1.38
0250SA	2.5t	1.68	4.16	1.06	1.05	0.91	1.52
0320SA	3.2t	2.20	4.79	1.28	1.22	1.06	1.68
0540SA	5.4t	4.10	5.75	1.50	1.47	1.26	2.00

Spare Parts

Latch Kits for Swivel Alloy Hooks



Part #	Size
ALK010	1t
ALK015	1-1/2t
ALK020	2t
ALK030	3t
ALK050	5t
ALK070	7t

G100 Sling Hook Latch Kits



Part #	Size
SLK7/8	9/32-5/16
SLK10	3/8
SLK13	1/2
SLK16	5/8
SLK20	3/4
SLK22	7/8

Grade 100 Trigger Kits for Self Locking Hooks



Part #	Size
10STK06HT	7/32
10STK7/8HT	9/32-5/16
10STK10HT	3/8
10STK13HT	1/2
10STK16HT	5/8
10STK20HT	3/4
10STK22HT	7/8

G100 Coupling Pin & Collar 10CLM & 10CWC



Part #	Size
10SCP06	7/32
10SCP7/8	9/32-5/16
10SCP10	3/8
10SCP13	1/2
10SCP16	5/8
10SCP20	3/4
10SCP22	7/8
10SCP26	1

G100 Load Pin Kits



Part #	Size	Hook Type
10SLPK06	7/32	10CSLH
10SLPK07	9/32	10CSH
10SLPK7/8	9/32-5/16	ALL
10SLPK10	3/8	ALL
10SLPK13	1/2	ALL
10SLPK16	5/8	ALL ex. 10CSH
10SLPK16B	5/8	10CSH
10SLPK20	3/4	10CSLH
10SLPK20B	3/4	10CSH
10SLPK20C	3/4	10CGH
10SLPK22	7/8	10CSLH
10SLPK22B	7/8	10CSH
10SLPK22C	7/8	10CGH

Latch Kits for Alloy Eye Hooks



Part #	Size
ELK012	1.25t
ELK016	1.6t
ELK025	2.5t
ELK032	3.2t
ELK054	5.4t

Product Markings



Raised letter stamped markings exceed what is required by ASTM and other North American applicable standards and include:

- Size in metric and inch fraction
- "K"/"UK" manufacturer's code
- "10" for Grade 100
- AMH brand marking
- Batch traceability code

For use with Wire Rope & Synthetic Slings

AX Welded Master Links



Part #	Trade Size (in)	WLL 5:1 (lbs)	Weight (lbs)	Inside Dimensions (in)		
				i-length	i-width	dia
AX13	1/2	4,800	0.75	4.33	2.36	0.51
AX16W	5/8	7,000	1.47	5.51	3.15	0.63
AX18W	3/4	11,400	2.02	5.91	3.54	0.71
AX22	7/8	17,200	3.30	6.30	3.54	0.87
AX26	1	29,900	5.06	7.09	3.94	1.02
AX32	1-1/4	35,200	8.58	7.87	4.33	1.26
AX36	1-1/2	57,200	13.97	10.24	5.51	1.42
AX45	1-3/4	70,400	28.16	13.39	7.09	1.77
AX51	2	102,600	37.84	13.78	7.48	2.01
AX57	2-1/4	143,120	53.24	15.75	7.87	2.24
AX63	2-1/2	160,000	73.85	16.54	8.27	2.48
AX71	2-3/4	216,000	101.41	18.11	9.84	2.80



AKX Welded Master Link Assemblies



Part #	Trade Size (in)	WLL 5:1 (lbs)	Weight (lbs)	Inside Dim. Masters (in)			Inside Dim. Subs (in)		
				i-length	i-width	dia	i-length	i-width	dia
AKX1813W	3/4	11,000	2.90	5.91	3.54	0.71	2.13	0.98	0.51
AKX2216	7/8	12,200	4.88	6.30	3.54	0.87	2.76	1.34	0.63
AKX2618	1	21,300	7.39	7.09	3.94	1.02	3.35	1.57	0.71
AKX3222	1-1/4	35,200	13.24	7.87	4.33	1.26	4.53	1.97	0.87
AKX3626	1-1/2	57,200	21.98	10.24	5.51	1.42	5.51	2.56	1.02
AKX4532	1-3/4	77,000	41.56	13.39	7.09	1.75	5.91	2.76	1.25
AKX5136	2	88,720	56.76	13.78	7.48	2.01	6.69	2.95	1.42
AKX5740	2-1/4	124,080	77.44	15.75	7.87	2.24	6.69	3.15	1.57
AKX7150	2-3/4	188,000	149.60	18.11	9.84	2.76	7.87	3.93	1.97



AWX Welded Master Link Assemblies with Extra Large Sub-Links



Part #	Trade Size (in)	WLL5:1 (lbs)	Weight (lbs)	Inside Dim. Masters (In)			Inside Dim. Subs (In)		
				i-length	i-width	dia	i-length	i-width	dia
AWX1813	3/4	11,000	3.52	5.91	3.54	0.71	4.33	2.36	0.51
AWX2216	7/8	12,200	5.63	6.30	3.54	0.87	4.33	2.36	0.63
AWX2618	1	21,300	8.58	7.09	3.94	1.02	5.31	2.95	0.71
AWX3222	1-1/4	35,200	15.18	7.87	4.33	1.26	6.30	3.55	0.87
AWX3626	1-1/2	57,200	24.09	10.24	5.51	1.42	6.30	3.94	1.02
AWX4540	1-3/4	91,700	67.24	13.39	7.09	1.75	11.81	6.30	1.62



AWXO Welded Master Link Assemblies for Large Crane Hooks with Large Sub-Links



Part #	WLL 5:1 (lbs)	Weight (lbs)	Inside Dim. Masters (In)			Inside Dim. Subs (In)		
			i-length	i-width	dia	i-length	i-width	dia
AWXO3016	11,840	14.37	13.40	7.10	1.18	4.33	2.36	0.63
AWXO3018	18,320	15.55			1.18	5.31	2.95	0.71
AWXO4022	31,200	28.60			1.57	6.30	3.54	0.87
AWXO4026	46,960	32.10			1.57	7.09	3.94	1.02

Master Link Selection for Wire Rope Bridle Slings

Bridle Slings (With single part body)		2-Leg Bridle					3-Leg Bridle				4-Leg Bridle			
<p>6x19</p>														
<p>6x37</p>														
	Rope Dia. (in.)	Min. Sling Length	Rated Capacity (tons)			Master link trade size (in.)	Rated Capacity (tons)			Sub assy Master link trade size (in.)	Rated Capacity (tons)			Sub assy Master link trade size (in.)
			60°	45°	30°		60°	45°	30°		60°	45°	30°	
6x19 EIPS IWRC	1/4	1'-3"	1.1	.91	.65	1/2	1.7	1.4	.97	1/2	2.2	1.8	1.3	1/2
	5/16	1'-6"	1.7	1.4	1.0	1/2	2.6	2.1	1.5	5/8	3.5	2.8	2.0	3/4
	3/8	1'-8"	2.5	2.0	1.4	5/8	3.7	3.0	2.2	3/4	5.0	4.1	2.9	3/4
	7/16	1'-10"	3.4	2.7	1.9	3/4	5.0	4.1	2.9	3/4	6.7	5.5	3.9	1
	1/2	2'-0"	4.4	3.6	2.5	3/4	6.6	5.4	3.8	1	8.8	7.1	5.1	1
	9/16	2'-2"	5.5	4.5	3.2	3/4	8.3	6.8	4.8	1	11	9	6.4	1-1/4
	5/8	2'-4"	6.8	5.5	3.9	7/8	10	8.3	5.9	1-1/4	14	11	7.8	1-1/2
	3/4	2'-9"	9.7	7.9	5.6	1	15	12	8.4	1-1/2	19	16	11	1-3/4
	7/8	3'-3"	13	11	7.6	1	20	16	11	1-1/2	26	21	15	2
	1	3'-6"	17	14	9.8	1-1/4	26	21	15	1-3/4	34	28	20	2-1/4
1-1/8	4'-0"	21	17	12	1-1/2	31	26	18	1-3/4	42	34	24	2-3/4	
6x37 EIPS IWRC	1-1/4	4'-6"	26	21	15	1-3/4	38	31	22	2	51	42	30	2-3/4
	1-3/8	5'-0"	31	25	18	1-3/4	46	38	27	2-1/4	-	-	-	-
	1-1/2	5'-6"	37	30	21	2	55	45	32	2-1/4	-	-	-	-
	1-3/4	6'-6"	49	40	28	2-1/4	-	-	-	-	-	-	-	-
	2	8'-0"	63	52	37	2-3/4	-	-	-	-	-	-	-	-

WARNING Do not exceed rated capacities. Sling capacity decreases as the angle from horizontal decreases. Slings shall not be used at angles of less than 30°.

CARTEC60

You can see the quality!

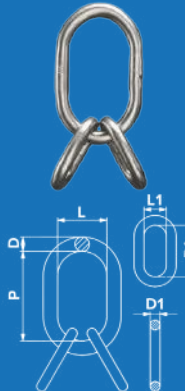
- Stainless Steel Seawater Resistant
- Use it also in Connection with Chemical and Food Products



C6XCM Stainless Steel Master Link | Grade 60

Part #	Trade Size (In)	Dimensions (In)			Weight Lb	WLL Lb	Chain Size (In)	
		D	P	L			1 leg	2 leg
C6XCM0706	1/2	0.51	4.33	2.36	0.74	3,500	7/32, 9/32, 5/16	7/32
C6XCM1008	5/8	0.63	4.33	2.36	1.16	5,950	3/8	9/32, 5/16
C6XCM1310	3/4	0.70	5.31	2.95	1.76	9,350	1/2	3/8
C6XCM1613	7/8	0.86	6.29	3.54	3.30	15,810	5/8	1/2
C6XCM1816	1	1.02	7.08	3.93	5.07	23,630	5/8	5/8

Material: AISI 318LN



C6XCMC Stainless Steel Master Link Sub Assembly | Grade 60

Part #	Trade Size (In)	Dimensions (In)						Weight Lb	WLL Lb	Chain Size (In)
		D	P	L	D1	P1	L1			
C6XCMC06	1/2	0.51	4.33	2.36	0.39	1.73	0.78	1.14	4,330	7/32
C6XCMC07	5/8	0.63	4.33	2.36	0.51	2.12	0.98	2.13	7,150	9/32
C6XCMC08	3/4	0.70	5.31	2.95	0.63	2.75	1.33	3.52	9,100	5/16
C6XCMC10	7/8	0.86	6.29	3.54	0.70	3.34	1.57	6.08	14,300	3/8
C6XCMC13	1	1.02	7.08	3.93	0.86	4.52	1.96	9.81	24,180	1/2
C6XCMC16	1 1/4	1.26	7.87	4.33	1.02	5.51	2.55	16.64	36,140	5/8

Material: AISI 318LN

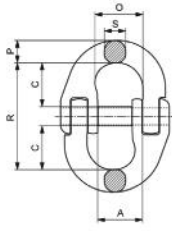


C6XC8182 Stainless Steel Chain | Grade 60

Part #	Nominal Chain Size (In)	Material Diameter (In)	Dimensions (In)			Weight Lb/ft	WLL Lb
			P	Li min	Le max		
C6XC818206	7/32	0.230	0.70	0.30	0.87	1.76	2,000
C6XC818207	9/32	0.276	0.82	0.35	1.01	2.42	2,750
C6XC818208	5/16	0.315	0.94	0.40	1.16	3.08	3,500
C6XC818210	3/8	0.394	1.18	0.51	1.45	4.85	5,500
C6XC818213	1/2	0.512	1.53	0.66	1.89	8.37	9,300
C6XC818216	5/8	0.630	1.88	0.81	2.33	12.56	13,900

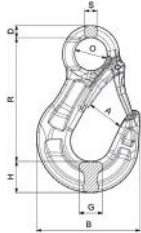
Material: AISI 316L

C6XCL Stainless Steel Connecting Link



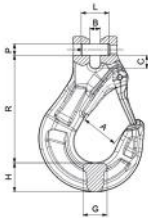
Dimensions (In)										
For Chain Size	Part #	WLL lb	A	C	O	R	P	S	Weight lb	
7/32 - 1/4	C6XCL06	2,000	0.55	0.70	0.70	1.77	0.31	0.29	0.17	
9/32	C6XCL07	2,750	0.70	0.78	0.80	1.98	0.40	0.35	0.30	
5/16	C6XCL08	3,500	0.74	1.00	0.92	2.44	0.45	0.39	0.44	
3/8	C6XCL10	5,500	0.94	1.18	1.08	2.83	0.49	0.49	0.77	
1/2	C6XCL13	9,300	1.10	1.41	1.31	3.44	0.74	0.65	1.60	
5/8	C6XCL16	13,900	1.35	1.59	1.55	4.13	0.81	0.81	3.24	

C6XCA Stainless Steel Eye Sling Hook



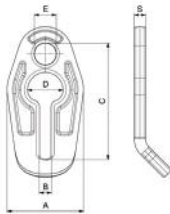
Dimensions (In)											
For Chain Size	Part #	WLL lb	A	B	D	G	H	O	R	S	Weight lb
7/32 - 1/4	C6XCA06SF	2,000	0.90	2.83	0.31	0.53	0.82	0.82	3.54	0.31	0.68
9/32 - 5/16	C6XCA08SF	3,500	1.25	4.05	0.51	0.76	1.14	1.06	4.64	0.51	1.78
3/8	C6XCA10SF	5,500	1.53	4.72	0.59	1.06	1.29	1.45	5.51	0.59	3.46
1/2	C6XCA13SF	9,300	2.00	6.10	0.70	1.37	1.81	1.88	7.16	0.70	6.81
5/8	C6XCA16SF	13,900	2.59	7.20	0.94	1.73	2.00	2.16	8.38	0.94	11.81

C6XCB Stainless Steel Clevis Sling Hook



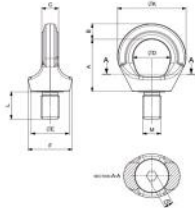
Dimensions (In)										
For Chain Size	Part #	WLL lb	A	B	C	G	H	R	PxL	Weight lb
7/32 - 1/4	C6XCB06SF	2,000	0.90	0.28	0.33	0.53	0.82	3.18	0.31 X 0.76	0.72
9/32	C6XCB07SF	2,750	1.25	0.37	0.47	0.76	1.14	4.40	0.31 X 0.88	1.74
5/16	C6XCB08SF	3,500	1.25	0.37	0.43	0.76	1.14	4.37	0.39 X 0.88	1.85
3/8	C6XCB10SF	5,500	1.53	0.47	0.59	1.06	1.29	4.82	0.51 X 1.24	3.15

C6XAC Stainless Steel Shortening Clutch



Dimensions (In)										
For Chain Size	Part #	WLL lb	A	B	C	D	E	S	Weight lb	
7/32 - 1/4	C6XAC06	2,000	2.16	0.31	3.18	1.02	0.62	0.33	0.55	
9/32 - 5/16	C6XAC08	3,500	2.79	0.43	4.33	1.33	0.86	0.41	1.30	
3/8	C6XAC10	5,500	3.54	0.47	5.31	1.57	1.02	0.51	2.49	
1/2	C6XAC13	9,300	4.40	0.66	6.69	2.04	1.25	0.64	5.22	
5/8	C6XAC16	13,900	5.31	0.80	7.95	2.51	1.49	0.78	9.08	

C6X807 Stainless Steel Rotating Eyebolt



Dimensions (In)												
Part #	Size	WLL t	A	B	C	D	E	F	K	L	CH	Weight lb
C6X807HT12	M12	0.5	1.69	0.49	0.45	1.18	1.18	1.43	2.18	0.70	0.31	0.44
C6X807HT16	M16	1	1.94	0.57	0.61	1.37	1.37	1.64	2.53	0.94	0.39	0.77
C6X807HT20	M20	2	2.28	0.62	0.70	1.57	1.65	2.02	2.93	1.18	0.47	1.32
C6X807HT24	M24	2.5	2.71	0.80	0.86	1.92	1.96	2.28	3.54	1.41	0.47	2.20

Spare Parts



Forged Latch Kit	
Part #	Size (in)
C6XCKS06	1/4
C6XCKS08	5/16
C6XCKS10	3/8
C6XCKS13	1/2
C6XCKS16	5/8



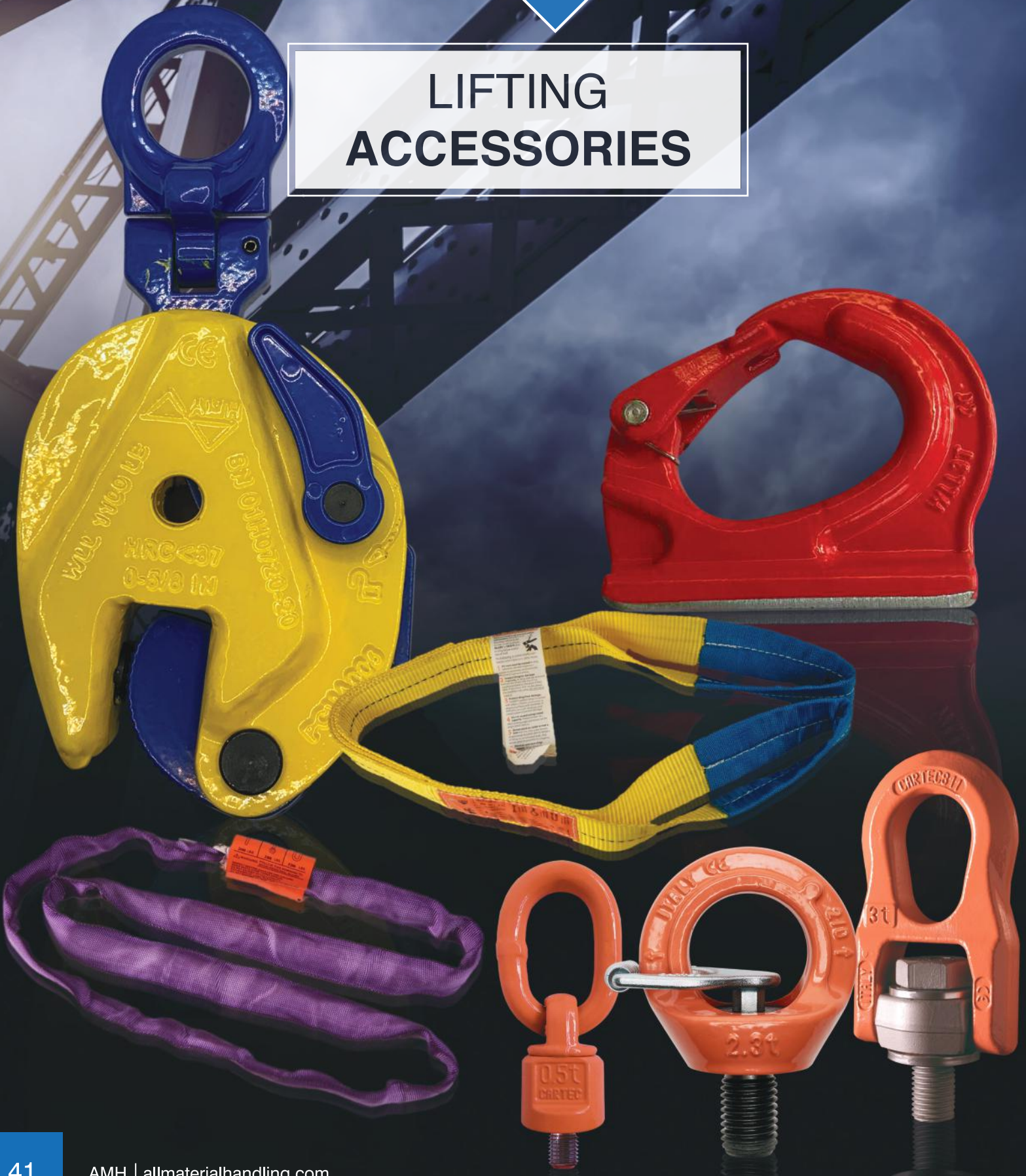
Clevis Hook Pin Kit	
Part #	Size (in)
C6XCKP06	1/4
C6XCKP07	9/32
C6XCKP08	5/16
C6XCKP10	3/8



Pin Kit for Conn. Link	
Part #	Size (in)
C6XCLK06	1/4
C6XCLK07	9/32
C6XCLK08	5/16
C6XCLK10	3/8
C6XCLK13	1/2
C6XCLK16	5/8



LIFTING ACCESSORIES

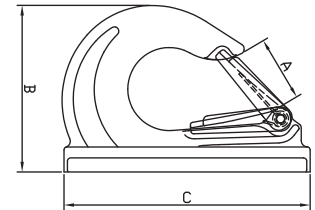
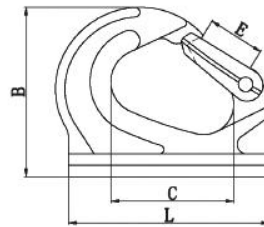


WBH Weld-on Bucket Hooks – Grade 80

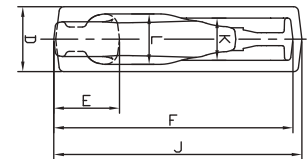
- ▶ Grade 80 alloy steel.
- ▶ These weld-on hooks are designed for weldable attachment to equipment to provide a lifting/pulling point for easy attachment of chain, wire rope or web slings.
- ▶ Meets ASTM A952/A952M-2 and ASME B30.10.



DIMENSIONS (inches)							
Part #	WLL tons	B	C	E	L	Weight (lbs)	Latch Part #
WBH01	1	3.13	2.32	0.91	3.52	1.06	LKBH01
WBH02	2	3.62	2.56	1.04	3.21	1.94	LKBH02
WBH03	3	4.17	2.93	1.22	4.53	2.65	LKBH03
WBH05	5	5.24	3.82	1.47	6.24	5.56	LKBH05
WBH08	8	5.48	3.68	1.39	6.46	7.19	LKBH08
WBH10	10	6.51	5.44	2.00	7.97	9.68	LKBH10



DIMENSIONS (inches)												
Part #	WLL tons	A	B	C	D	E	F	J	K	L	Weight (lbs)	Latch Part #
WBH16	16	2.91	7.01	10.61	2.56	2.84	10.30	10.69	1.57	2.01	19.84	LKBH16
WBH20	20	3.15	8.07	11.94	3.15	3.19	11.59	12.03	2.05	2.44	28.66	LKBH20

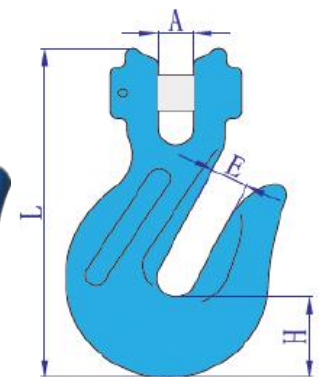


Tie-down Clevis Grab Hook without Cradles – Grade 100

- ▶ Slim profile makes it ideal for transport applications.
- ▶ This grab hook with no saddle/cradle is designed with load securement in mind, but can be used in chain slings. If using non-cradle grab hooks in a shortening or choker application, the working load limit of the sling must be reduced by 20%.



Part #	For Chain Size	WLL (lbs)	DIMENSIONS (inches)				Weight (lbs)
			A	E	H	L	
10CGH08NSC	5/16	5700	0.37	0.40	0.94	3.74	0.92
10CGH10NSC	3/8	8800	0.47	0.51	1.14	4.99	1.85
10CGH13NSC	1/2	15000	0.61	0.67	1.50	6.10	3.75



Before using these products; read and follow instructions in the operator's manual. Never exceed capacity. Do not use for lifting people or loads over people.



Plate Lifting Clamps Universal & Horizontal

½ to 5 Metric Ton Capacity

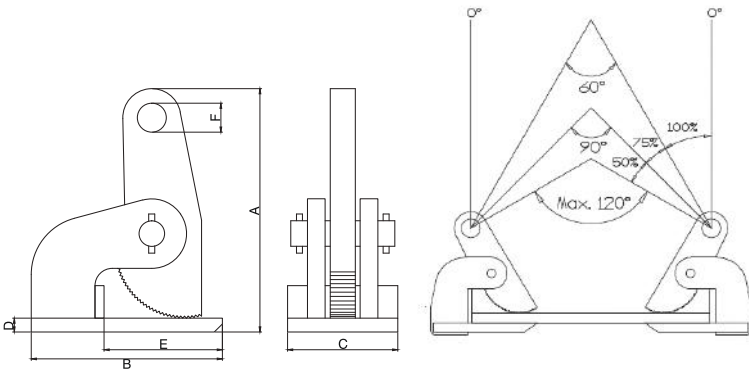
FEATURES

- ▶ All steel body for durable strength in a smaller size.
- ▶ For use with material having surface hardness < HRC 37
- ▶ Minimum 10% WLL is required to ensure grip. (PCUA)
- ▶ 180° turning range for easy positioning or transfer of plates. (PCUA)
- ▶ Lever ensures pre-tensioning and release of grip jaws. (PCUA)
- ▶ Replacement parts and kits are available.
- ▶ Meets: EU Directives: 2006/42/EC and ASME B30.20.
- ▶ Individually serialized and tested to 2x WLL. Factory test certification of proof load is included.



PCH Horizontal

Top Sling Angle	=	% Maximum Rated Capacity
0° to 60°	=	100%
60° to 90°	=	75%
90° to 120°	=	50%

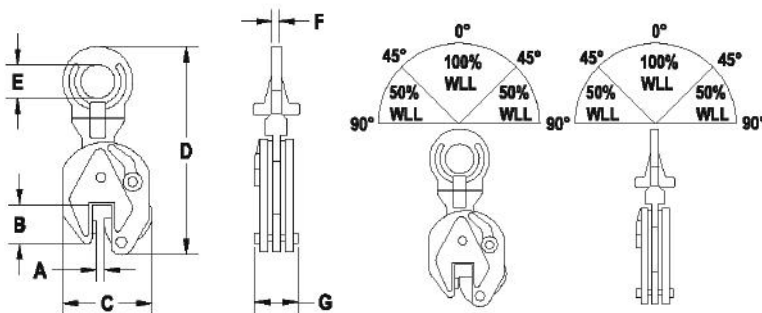


PCH SERIES SPECIFICATIONS AND DIMENSIONS (inches)

Model#	WLL (pair) metric ton	Weight (lbs.)	Jaw Opening	A	B	C	D	E	F
PCH005	0.5t	6.2	0-1-3/8	6.61	5.51	2.56	0.47	3.86	0.79
PCH010	1.0t	13.2	0-2-3/8	10.43	7.09	2.95	0.47	4.33	0.98
PCH020	2.0t	16.5	0-2-3/8	10.43	7.09	3.15	0.63	4.33	0.98
PCH030	3.0t	22	0-2-3/8	12.01	8.66	3.54	0.70	5.31	1.18
PCH050	5.0t	34	0-2-3/8	12.01	8.66	4.33	0.98	4.92	1.18

Note: WLL rating is per pair (to be used in pairs only).

PCUA Universal



PCUA SERIES SPECIFICATIONS AND DIMENSIONS (inches)

Model#	WLL metric ton	Weight (lbs.)	Plate Size A	B	C	D	E	F	G
PCUA005	0.5t	4.4	0-5/8	1.7	4.2	8.5	1.2	0.4	2.0
PCUA010	1.0t	9.9	0-3/4	2.5	5.7	11.5	1.9	0.5	2.6
PCUA020	2.0t	16.1	0-1	3.1	6.9	14.5	2.7	0.6	3.0
PCUA030	3.0t	33.0	0-1-1/8	3.3	8.1	16.9	2.9	0.8	4.0
PCUA050	5.0t	47.5	0-2	3.9	9.4	18.9	3.1	0.9	4.3

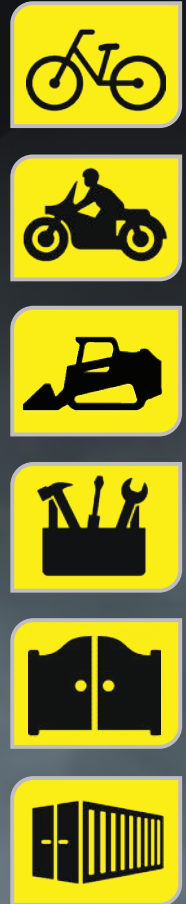


Before using these products; read and follow instructions in the operator's manual. Never exceed capacity. Do not use for lifting people or loads over people.



LockAid™

Security Chain + Padlock



CHAIN

- 3/8" (10mm) alloy square link casehardened zinc plated security chain
- Surface hardness: 60 - 63 HRC

GRADE 6 (ASTM F883-13)

- Corrosion Resistance
- Shackle Cutting Force
- Cycle Test

GRADE 5 (ASTM F883-13)

- Tensile Force
- (On the ASTM F883-13 scale of Grade 1 to Grade 6)



PADLOCK

- Stainless steel body and locking cylinder
- Hardened alloy steel shackle
- Ideal for marine & outdoor environment
- Drainage hole for moisture
- Double-bolted locking
- 5 keys

LockNess™

Part #	Description
SCLK3	LockAid 3' Security Chain with Padlock
SCLK6	LockAid 6' Security Chain with Padlock
SCLK9	LockAid 9' Security Chain with Padlock
SC10	3/8" (10mm) Security Chain only
SL10C	LockNess Stainless Steel Padlock only

FEATURES

- ▶ Heavy Duty Polyester Web Slings available in 1 or 2 ply. Lengths are measured from bearing point to bearing point.
- ▶ Eyes are reinforced with polyester wear pads. Working load limits are rated at a 5:1 design factor.

Eye & Eye Sling

1-Ply Heavy Duty (Class 7)



Part #	Sling Width (in)	Eye Length (in)	Work Load Limit (lbs)			Base Length (ft)	Weight (lbs)	Add Weight/ft
			Vertical	Choker	Basket			
EE 1901	1	10	1,600	1,280	3,200	3	0.40	0.06
EE 1902	2	12	3,200	2,500	6,400	3	0.80	0.12
EE 1903	3	12	4,800	3,840	9,600	3	1.40	0.18
EE 1904	4	12	6,400	5,000	12,800	3	1.90	0.24

Note: 1" & 2" slings have flat eyes. 3" & 4" slings have tapered eyes (folded in half)

2-Ply Heavy Duty (Class 7)

Part #	Sling Width (in)	Eye Length (in)	Work Load Limit (lbs)			Base Length (ft)	Weight (lbs)	Add Weight/ft
			Vertical	Choker	Basket			
EE 2901	1	10	3,200	2,500	6,400	3	0.50	0.13
EE 2902	2	12	6,400	5,000	12,800	3	0.90	0.25
EE 2903	3	12	8,800	7,040	17,600	3	1.70	0.38
EE 2904	4	12	12,000	9,600	24,000	3	2.30	0.50

Note: 1" & 2" slings have flat eyes. 3" & 4" slings have tapered eyes (folded in half)

Endless Web Sling

1-Ply Heavy Duty (Class 7)



Part #	Sling Width (in)	Work Load Limit (lbs)			Base Length (ft)	Weight (lbs)	Add Weight/ft
		Vertical	Choker	Basket			
EN 1901	1	3,200	2,560	6,400	3	0.40	0.12
EN 1902	2	6,400	5,000	12,800	3	0.80	0.24
EN 1903	3	9,400	7,520	18,800	3	1.30	0.36
EN 1904	4	12,400	9,920	24,800	3	1.70	0.48

2-Ply Heavy Duty (Class 7)

Part #	Sling Width (in)	Work Load Limit (lbs)			Base Length (ft)	Weight (lbs)	Add Weight/ft
		Vertical	Choker	Basket			
EN 2901	1	6,400	5,000	12,800	3	0.80	0.25
EN 2902	2	12,400	9,920	24,800	3	1.60	0.50
EN 2903	3	17,600	14,080	35,200	3	2.60	0.76
EN 2904	4	22,000	17,600	44,000	3	3.40	1.00

Wear Pads

High Density Felt Wear Pads. 5/16" Thick



Part #	Sleeve Width (in)	Sleeve Length (in)	For Round Slings	For Web Slings
WP4X12	4	12	DR1, DR2, DR3	EE & EN 1" & 2"
WP6X12	6	12	DR4, DR5, DR6, DR7	EE & EN 3" & 4"
WP4X36	4	36	DR1, DR2, DR3	EE & EN 1" & 2"
WP6X36	6	36	DR4, DR5, DR6, DR7	EE & EN 3" & 4"

FEATURES

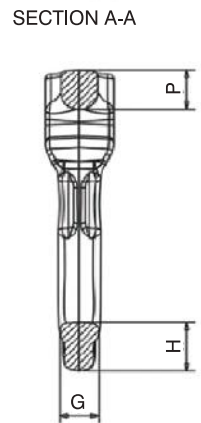
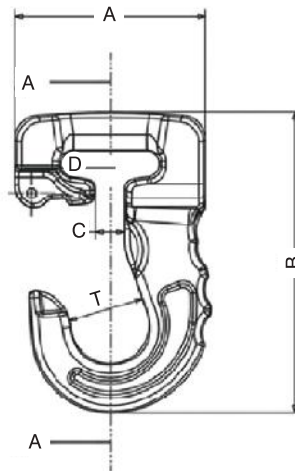
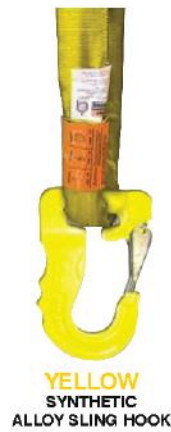
- ▶ Endless Polyester Round Sling lengths are measured from bearing point to bearing point and WLL's are rated vertically at 5:1 design factor. All standard round slings are double jacket.

Specifications and Dimensions



Part #	Color	Work Load (lbs)			Weight (lbs/ft)	Width
		Vertical	Choker	Basket		
DR1	PURPLE	2,600	2,100	5,200	0.20	5/8" - 1"
DR2	GREEN	5,300	4,200	10,600	0.30	7/8" - 1-3/8"
DR3	YELLOW	8,400	6,700	16,800	0.50	1-1/8" - 1-3/4"
DR4	TAN	10,600	8,500	21,200	0.60	1-1/8" - 1-7/8"
DR5	RED	13,200	10,600	26,400	0.80	1-3/8" - 2"
DR6	WHITE	16,800	13,400	33,600	0.87	1-3/8" - 2-1/8"
DR7	BLUE	21,200	17,000	42,400	1.30	1-3/4" - 2-5/8"
DR9	ORANGE	31,000	24,800	62,000	2.00	2-1/4" - 3-1/4"
DR12	ORANGE	66,000	52,800	132,000	3.50	3-1/8" - 4-5/8"
DR13	ORANGE	90,000	72,000	180,000	4.50	3-5/8" - 5-1/4"

CARTEC MADE IN ITALY Alloy Sling Hooks for Synthetic Slings



Synthetic Sling Hook color coded matching Round Sling of same color. WLL are rated at 5:1 design factor.

Part #	Color	Dimensions (in)								Weight (lbs)	WLL (lbs)
		A	B	C	D	G	H	P	T		
CJ026	PURPLE	3.07	4.84	0.47	1.61	0.67	0.79	0.63	1.22	1.54	2,600
CJ053	GREEN	3.58	5.83	0.75	2.17	0.83	1.02	0.67	1.57	2.65	5,300
CJ084*	YELLOW	4.45	6.89	0.83	2.17	0.98	1.26	0.98	1.97	4.85	8,400
CJ132	RED	5.24	8.78	1.57	2.76	1.42	1.57	1.42	2.34	9.92	13,200

*Also fits a 2" 2-ply Eye & Eye or 2" 1-ply Endless Sling

SAFETY WARNINGS:

All slings come standard with comprehensive warning tags and bulletins. Together they offer safety information that can be used not only as a "warning" system but also as part of a larger occupational training system. These tags and bulletins provide a convenient guide for safety and inspection guidelines*, reducing accidents caused by misuse.

*Not to be used in place of proper training



Manufacturer's Certificate of Compliance

Batch Serial range: 11-06K20000
 was batch tested per our interpretation of ASME B30.9 and WSTDA specifications, requiring a min. breaking strength of 5 X Vertical WLL.
 Date: 2011.6.2

CERTIFICATION

Each sling is serialized and comes with a signed manufacturer's certificate of compliance for meeting ASME B30.9 and WSTDA standards including batch test conformation of a 5x design factor. The certificates are issued for the serial number range covered by the batch.



Lashing Straps – Tie Downs

FEATURES

▶ Two part heavy duty wide handle, 2" ratchet style webbing assemblies. For load securing. Meets D.O.T regulations.



Part#	Working Load (lbs)	Breaking Strength (lbs)	Style	Width (in)	Length (in)	Weight (lbs)
TD 0120VH	835	2500	Vinyl S-Hook	1	20	2.3
TD 0227	3,300	10,000	Flat Hook	2	27	6
TD 0230	3,300	10,000	Flat Hook	2	30	6.05

FEATURES

▶ 4" Winch strap assembly, Use this assembly with ratchet winches to secure the cargo to flat-bed trucks and trailer. Meets D.O.T and California Highway Patrol regulations.



Part#	Working Load (lbs)	Breaking Strength (lbs)	Style	Width (in)	Length (in)	Weight (lbs)
WS 0427	5,000	15,000	Flat Hook	4	27	4.3
WS 0430	5,000	15,000	Flat Hook	4	30	4.6



C800X



C811X H.T.



C813X



C806X H.T.



C807X H.T.



Stainless Steel G60
C6X807 H.T.

Swivel under load	✓					
360° rotation before applying a load	✓	✓	✓	✓	✓	✓
Self-aligning pivoting bail at 180°	✓	✓	✓			
Pull at 90° with minimum dimensions (for confined spaces)	✓			✓	✓	✓
Design factor 4:1	✓		✓	✓	✓	✓
Design factor 5:1		✓				
Weld-on						
Long bolt on demand	✓	✓	✓	✓		



C830X



C820X



C815X



C810X



C810FX

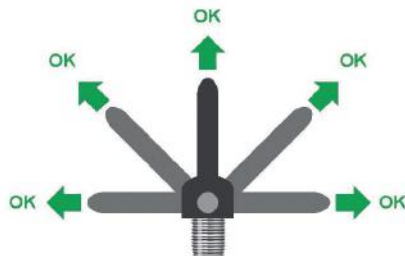


C817X

Swivel under load			✓			✓
360° rotation before applying a load			✓	✓	✓	✓
Self-aligning pivoting bail at 180°	✓	✓	✓			
Pull at 90° with minimum dimensions (for confined spaces)			✓			
Design factor 4:1	✓	✓	✓	✓	✓	✓
Design factor 5:1						
Weld-on	✓	✓	✓			
Long bolt on demand				✓		

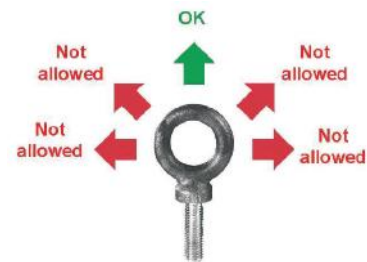
Is your Rigger trained to calculate load de-ratings at various angles?

Will your rigger avoid side loading, loading outside of the plane of the eye, or other lifting techniques in which eyebolts are unforgiving?



Swivel Hoist Ring
Full load rating an any angle

Swivel Hoist Ring
VS.
Shouldered Eyebolt



Shouldered Eyebolt
Full load rating only at vertical pull



OUR SOLUTION

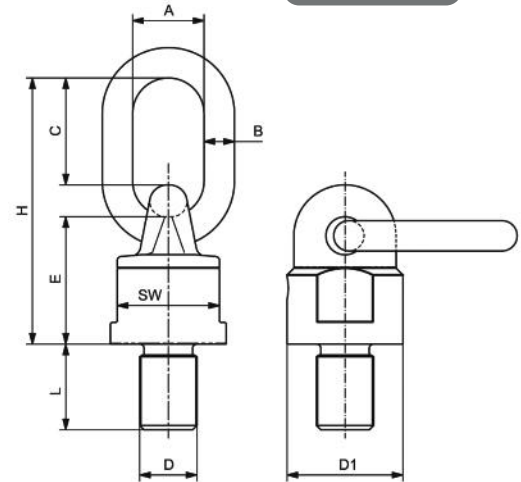
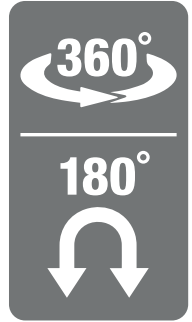


Rotating
Eyebolts,
Weld-on
Points

CARTEC

C800 Rotating Eyebolt w/Ring

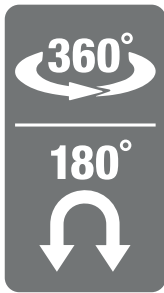
Part #	Bolt Size mm DxL	WLL tons	A mm	B mm	C mm	E mm	H mm	SW mm	D1 mm	Weight lbs.
C8000030816	M8x16	0.3	30	13	46	50	105	30	38	1.05
C8000030818	M8x18	0.3	30	13	46	50	105	30	38	1.05
C8000031018	M10x18	0.3	30	13	46	50	105	30	38	1.05
C8000051218	M12x18	0.5	30	13	46	50	105	30	38	1.10
C8000051225	M12x25	0.5	30	13	46	50	105	30	38	1.10
C8000101620	M16x20	1.12	30	13	46	50	105	30	38	1.10
C8000101630	M16x30	1.12	30	13	46	50	105	30	38	1.16
C8000102030	M20x30	1.12	30	13	46	50	105	30	38	1.16
C8000202030	M20x30	2	34	16	57	61	131	40	50	2.31
C8000302430	M24x30	3.15	40	18	70	68	153	48	58	3.59
C8000503035	M30x35	5.3	45	22	65	80	165	65	75	4.91
C8000503045	M30x45	5.3	45	22	65	80	165	65	75	4.91
C8000803035	M30x35	8	50	23	95	95	205	75	85	11.68
C8000803045	M30x45	8	50	23	95	95	205	75	85	11.68
C8000803654	M36x54	8	50	23	95	95	205	75	85	12.12
C8001004263	M42x63	10	50	23	95	95	205	75	85	22.04
C8001504860	M48x60	15	70	32	120	130	280	95	120	22.04
C8001505678	M56x78	15	70	32	120	130	280	95	120	22.04
C8001506496	M64x96	15	70	32	120	130	280	95	120	22.04
C80025072108	M72x108	25	90	45	130	165	338	140	170	63.93
C80030080120	M80x120	30	90	45	130	165	338	140	170	63.93
C80035090135	M90x135	35	90	45	130	165	338	140	170	63.93



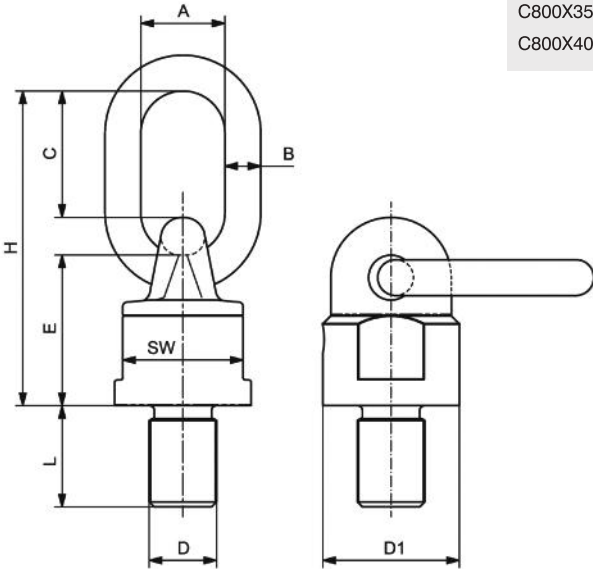
C800 UNC Rotating Eyebolt w/Ring

Part #	Bolt Size (in) DxL	WLL tons	A in	B in	C in	E in	H in	SW in	D1 in	Weight lbs.
C800003UNC51616	5/16"- 18 x .63	0.3	1.18	0.51	1.81	1.96	4.13	1.18	1.49	1.05
C800003UNC3818	3/8"- 16 x .70	0.3	1.18	0.51	1.81	1.96	4.13	1.18	1.49	1.05
C800005UNC1225	1/2"- 13 x .98	0.5	1.18	0.51	1.81	1.96	4.13	1.18	1.49	1.10
C800010UNC5830	5/8"- 11 x 1.18	1.12	1.18	0.51	1.81	1.96	4.13	1.18	1.49	1.16
C800020UNC3430	3/4"- 10 x 1.18	2	1.33	0.62	2.24	2.40	5.15	1.57	1.96	2.31
C800030UNC130	1"- 8 x 1.18	3.15	1.57	0.70	2.75	2.67	6.02	1.88	2.28	3.59
C800050UNC11445	1-1/4"- 7 x 1.77	5.3	1.77	0.86	2.55	3.14	6.49	2.55	2.95	4.91
C800080UNC11254	1-1/2"- 6 x 2.12	8	1.96	0.90	3.74	3.74	8.07	2.95	3.34	11.68
C800100UNC13463	1-3/4"- 5 x 2.48	10	1.96	0.90	3.74	3.74	8.07	2.95	3.34	22.04
C80015UNC260	2"- 4.5 x 2.36	15	2.75	1.25	4.72	5.11	11.02	3.74	4.72	22.04
C80015UNC21478	2-1/4"- 4.5 x 3.07	15	2.75	1.25	4.72	5.11	11.02	3.74	4.72	22.04
C80015UNC21296	2-1/2"- 4 x 3.77	15	2.75	1.25	4.72	5.11	11.02	3.74	4.72	22.04
C80016UNC234104	2-3/4"- 4 x 4.09	16	2.75	1.25	4.72	5.11	11.02	3.74	4.72	22.04
C80025UNC3108	3"- 4 x 4.25	25	3.54	1.77	5.11	6.49	13.30	5.51	6.69	63.93
C80035UNC3121353	3-1/2"- 4 x 5.31	35	3.54	1.77	5.11	6.49	13.30	5.51	6.69	63.93

C800X Rotating Eyebolt w/Ring

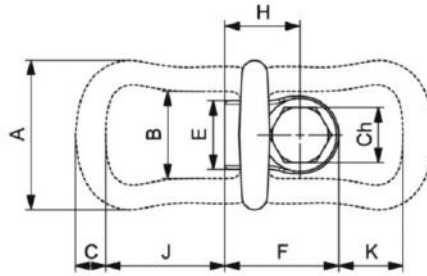
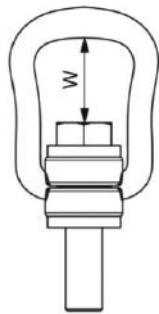
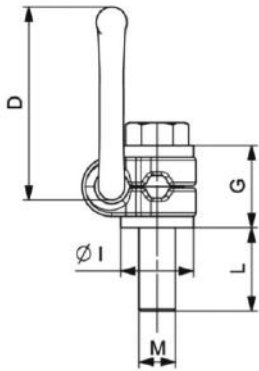


Part #	Size mm DXL	WLL tons	A mm	B mm	C mm	E mm	H mm	SW mm	D1 Ømm	Weight lb
C800X0030816	M8x16	0.3	30	13	46	50	105	30	38	1.05
C800X0030818	M8x18	0.3	30	13	46	50	105	30	38	1.05
C800X0051018	M10x18	0.5	30	13	46	50	105	30	38	1.05
C800X0071218	M12x18	0.7	30	13	46	50	105	30	38	1.10
C800X0101420	M14x20	1	30	13	46	50	105	30	38	1.16
C800X0141620	M16x20	1.4	30	13	46	50	105	30	38	1.16
C800X0172030	M20x30	1.7	30	13	46	50	105	30	38	1.16
C800X0172430	M24x30	1.7	30	13	46	50	105	30	38	1.16
C800X0252030	M20x30	2.5	34	16	57	61	131	40	50	2.31
C800X0402430	M24x30	4	40	18	70	68	153	48	58	3.59
C800X0403035	M30x35	4	40	18	70	68	153	48	58	3.59
C800X0673035	M30x35	6.7	45	22	65	71	156	70	80	6.28
C800X0803045	M30x45	8	50	23	91	86	200	80	90	9.70
C800X1003654	M36x54	10	50	23	91	86	200	80	90	10.18
C800X1254263	M42x63	12.5	50	23	91	86	200	80	90	11.46
C800X1254560	M45x60	12.5	50	23	91	86	200	80	90	11.46
C800X1254872	M48x72	12.5	50	23	91	86	200	80	90	11.46
C800X1604560	M45x60	16	70	32	120	112	262	100	120	24.03
C800X1704860	M48x60	17	70	32	120	112	262	100	120	24.03
C800X1805678	M56x78	18	70	32	120	112	262	100	120	24.03
C800X2006496	M64x96	20	70	32	120	112	262	100	120	24.03
C800X2806496	M64x96	28	90	45	124	165	333	140	170	63.93
C800X31572108	M72x108	31.5	90	45	124	165	333	140	170	63.93
C800X35080120	M80x120	35	90	45	124	165	333	140	170	63.93
C800X40090135	M90x135	40	90	45	124	165	333	140	170	63.93



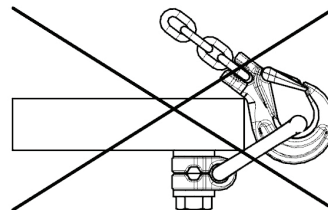
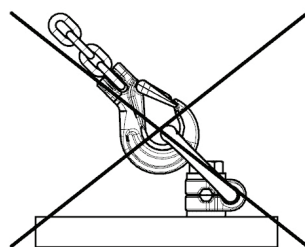
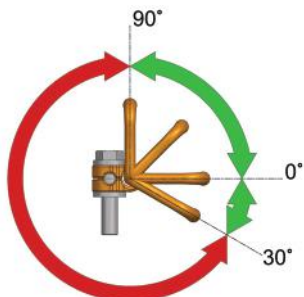
C806X & C806XHT Rotating Eyebolt w/Clamp

Part #	Bolt size mm	WLL t	A mm	B mm	C mm	D mm	E mm	F mm	G mm	H mm	I mm	L mm	W mm	J mm	K mm	Ch mm	Weight lb
C806XHT08	M8	0,5	57	34	10	78	24	41	30	26,5	25	15	43	51	35	13	0,59
C806XHT10	M10	0,9	57	34	10	78	24	41	30	26,5	25	15	42	51	35	17	0,63
C806XHT12	M12	1,35	66	38	13,5	85	30	50	36	33	32	23	40	52	28	19	1,10
C806XHT16	M16	2	66	38	13,5	85	30	50	36	33	32	24	38	52	28	24	1,12
C806XHT20	M20	3,5	87	55	16	111	48	68	44	42,5	45	31	54	71	36	30	2,75
C806XHT24	M24	4,5	87	55	16	111	48	68	44	42,5	45	37	51	71	36	36	2,86
C806X27	M27	4	109	66	22,5	145	54	91	63	58,5	60	37	64	86	47	41	6,94
C806XHT30	M30	6,7	109	66	22,5	145	54	91	65	58,5	60	45	62	86	47	46	6,7
C806X36T07	M36	7	109	66	22,5	145	54	91	55	58,5	60	50	60	86	43	55	7,27
C806X36	M36	8	136	78	28	190	62	108	81	72,5	70	59	88	115	74	55	13,00
C806X42T10	M42	10	136	78	28	190	62	108	75	72,5	70	75	86	115	70	65	14,33
C806X42	M42	15	169	97	36	242	68	131	89	87,5	85	63	121	151	97	65	24,69
C806X48	M48	20	169	97	36	242	68	131	89	87,5	95	71	117	151	93	75	25,57



C806X UNC Rotating Eyebolt w/Clamp

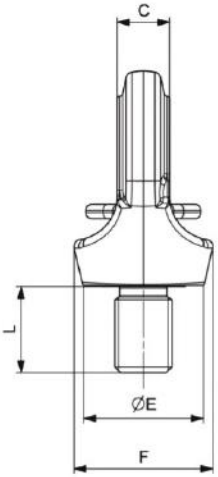
Part #	Bolt size UNC	WLL tons	A in	B in	C in	D in	E in	F in	G in	H in	I in	L in	W in	J in	K in	Ch in	Weight lb
C806XU38	3/8"-16	0,63	2,24	1,33	0,39	3,07	0,94	1,61	1,18	1,04	0,98	0,59	1,65	2,00	1,37	0,66	0,63
C806XU12	1/2"-13	1	2,59	1,49	0,53	3,34	1,18	1,96	1,41	1,29	1,25	0,90	1,57	2,04	1,10	0,74	1,10
C806XU58	5/8"-11	1,5	2,59	1,49	0,53	3,34	1,18	1,96	1,41	1,29	1,25	0,94	1,49	2,04	1,10	0,94	1,12
C806XU34	3/4"-10	2,5	3,42	2,16	0,62	4,37	1,88	2,67	1,73	1,67	1,77	1,22	2,12	2,79	1,41	1,18	2,75
C806XU78	7/8"-9	2,5	3,42	2,16	0,62	4,37	1,88	2,67	1,73	1,67	1,77	1,22	2,12	2,79	1,41	1,18	2,75
C806XU1	1"-8	4	3,42	2,16	0,62	4,37	1,88	2,67	1,73	1,67	1,77	1,45	2,00	2,79	1,41	1,41	2,86
C806XU114	1-1/4"-7	5	4,29	2,59	0,88	5,70	2,12	3,58	2,55	2,30	2,36	1,77	2,44	3,38	1,85	1,81	7,1
C806XU112	1 1/2"-6	8	5,35	3,07	1,10	7,48	2,44	4,25	3,18	2,85	2,75	2,32	3,46	4,52	2,91	2,16	13,00
C806XU2	2"-4,5	20	6,65	3,81	1,41	9,52	2,67	5,15	3,50	3,44	3,74	2,79	4,60	5,94	3,66	2,95	25,57



C807XHT Rotating Eyebolt w/Key



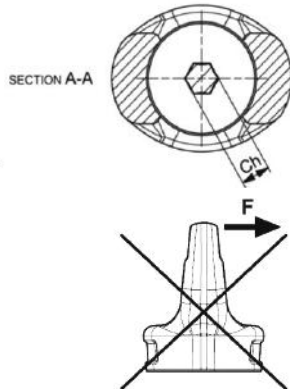
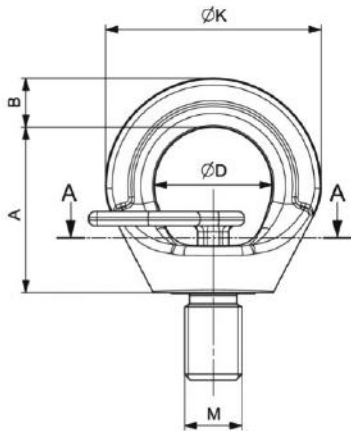
Part #	Size mm	WLL tones	A mm	B mm	C mm	D Ømm	E Ømm	F mm	K Ømm	L mm	CH mm	Weight lb
C807XCHT06	M6	0.1	27	9.5	7	20	23	28	37	9	6	0.17
C807XCHT08	M8	0.3	35	11	9	25	25.5	30	46	12	6	0.26
C807XCHT10	M10	0.4	33.7	10	9.8	25	25.5	30	46	15	6	0.26
C807XCHT12	M12	0.75	41.5	12.5	11.5	30	30.6	36.5	55.5	18	8	0.44
C807XCHT14	M14	0.75	41.5	12.5	11.5	30	30.6	36.5	55.5	18	8	0.44
C807XCHT16	M16	1.5	49.5	14.5	15.7	35	36.5	42	64.5	24	10	0.77
C807XCHT18	M18	1.5	49.5	14.5	15.7	35	36.5	42	64.5	24	10	0.77
C807XCHT20	M20	2.3	58	16	18	40	42	52.5	74.5	30	12	1.32
C807XCHT22	M22	2.3	58	16	18	40	42	52.5	74.5	30	12	1.32
C807XCHT24	M24	3.2	69	20.5	22	49	50	61	90	36	12	2.20
C807XCHT27	M27	3.2	69	20.5	22	49	50	61	90	36	12	2.20
C807XCHT30	M30	4.5	86	25.5	28	60	66	75	111	45	17	4.40
C807XCHT33	M33	4.5	86	25.5	28	60	66	75	111	45	17	4.40
C807XCHT36	M36	7	105	32	30	74	77	96.5	135	55	22	7.49
C807XCHT42	M42	9	118	38	37	82	87	110	158	65	24	12.56
C807XCHT48	M48	12	137	43	38	95	102	124.5	180	72	27	18.73



C807XHT UNC Rotating Eyebolt w/Key

Dimension (inches)

Part #	Size	WLL tons	A	B	C	D	E	F	K	L	CH	Weight lb
C807XCHT08U	5/16"-18	0.3	1.37	0.43	0.35	0.98	0.98	1.18	1.85	0.47	0.23	0.26
C807XCHT10U	3/8"-16	0.4	1.37	0.43	0.35	0.98	0.98	1.18	1.85	0.62	0.23	0.26
C807XCHT12U	1/2"-13	0.75	1.69	0.49	0.45	1.18	1.18	1.43	2.18	0.7	0.27	0.44
C807XCHT16U	5/8"-11	1.5	1.94	0.57	0.61	1.37	1.37	1.64	2.53	0.94	0.31	0.77
C807XCHT20U	3/4"-10	2.3	2.28	0.62	0.70	1.57	1.65	2.02	2.93	1.18	0.39	1.32
C807XCHT22U	7/8"-9	2.3	2.28	0.62	0.70	1.57	1.65	2.02	2.93	1.18	0.39	1.32
C807XCHT24U	1"-8	3.2	2.71	0.8	0.86	1.92	1.96	2.28	3.54	1.41	0.47	2.20
C807XCHT30U	1 1/4"-7	4.5	3.38	1.00	1.10	2.36	2.59	2.87	4.37	1.69	0.66	4.40
C807XCHT36U	1 1/2"-6	7	4.21	1.25	1.25	2.91	2.95	3.79	5.31	2.12	0.86	7.49
C807XCHT42U	1 3/4"-5	9	4.72	1.49	1.59	3.22	3.34	4.33	6.22	2.51	0.94	12.56
C807XCHT48U	2"-4.5	12	5.47	1.69	1.73	3.74	3.93	4.90	7.04	2.83	1.06	18.73

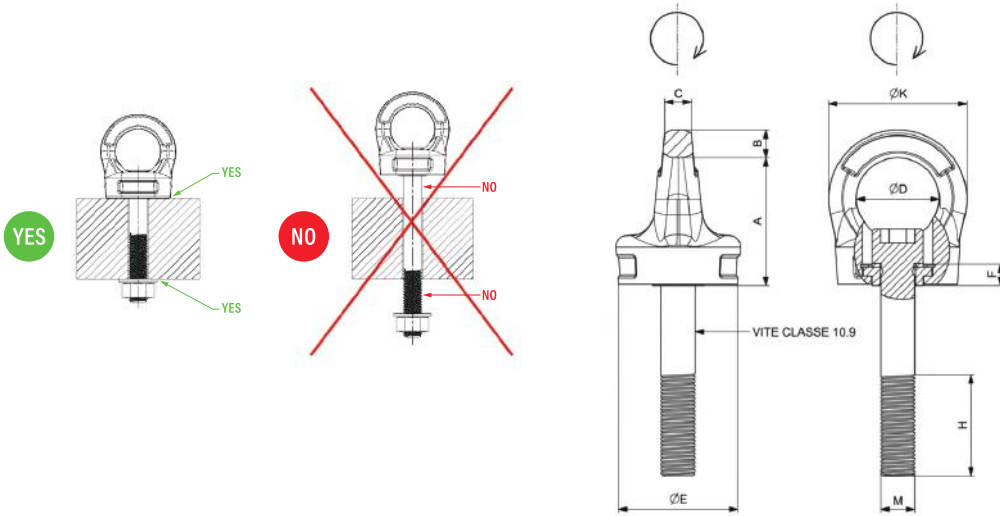


Stainless Steel version available!
See page 40



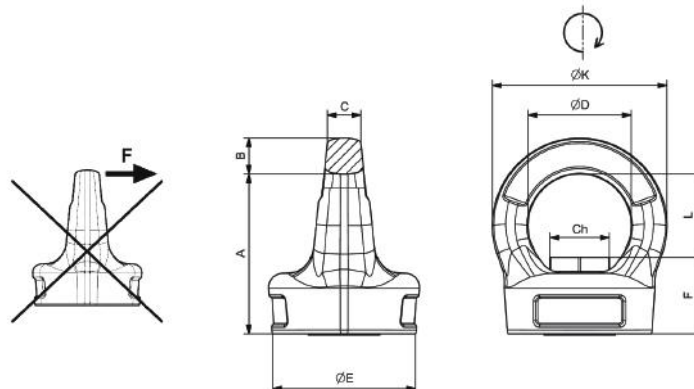
C810X Rotating Eyebolt – Variable Screw Length

Part #	Size mm	WLL t	A mm	B mm	C mm	D Ømm	E Ømm	K Ømm	F mm	Bolt Length Range mm
C810X08	M8	0.3	44.5	8	10	29	32	45	10.5	24.5 - 149.5
C810X10	M10	0.4	44.5	8	10	29	32	45	6.5	33.5 - 173.5
C810X12	M12	0.75	53.5	11	11	34	44	56	8	37 - 172
C810X16	M16	1.5	59.5	13	14.5	39	56	65	8.5	41.5 - 211.5
C810X20	M20	2.3	67	14	17	42	58	70	10.5	44.5 - 189.5
C810X24	M24	3.2	80	18	19	52	73	88	13.5	46.5 - 206.5
C810X30	M30	4.5	101	22	27	62	80	106	17	63 - 183



C810FX Rotating Eyerut

Part #	Size mm	WLL t	A mm	B mm	C mm	D Ømm	E Ømm	K Ømm	F mm	L mm	Ch mm	Weight lb
C810FX08	M8	0.3	44.5	8	10	29	32	45	21.5	23	13	0.37
C810FX10	M10	0.4	44.5	8	10	29	32	45	21.5	23	14	0.44
C810FX12	M12	0.75	53.5	11	11	34	44	56	26.5	27	16	0.85
C810FX16	M16	1.5	59.5	13	14.5	39	56	65	30.5	29	21	1.52
C810FX20	M20	2.3	67	14	17	42	58	70	33	34	26	1.56
C810FX24	M24	3.2	80	18	19	52	73	88	40	40	30	3.74
C810FX30	M30	4.5	101	22	27	62	80	106	51	50	36	5.37

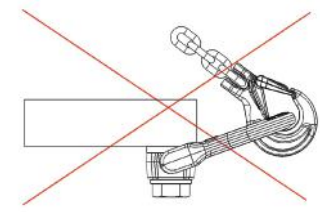
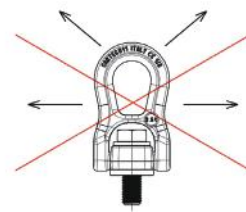
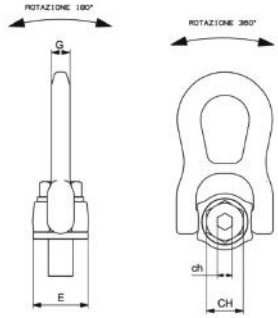
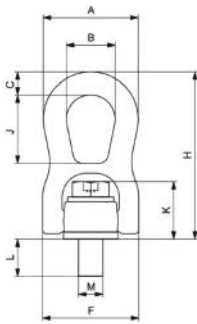


C811XHT Heavy Lift Swivel Hoist Ring – 5:1 Design Factor



Part #	Size mm	WLL 5:1 t	WLL 4:1 t	A mm	B mm	C mm	E mm	F mm	G mm	H mm	J mm	K mm	L mm	CH mm	ch mm	Weight lb
C811XHT08	M8	0.4	0.5	56	28	14	30	55	11	99	40	33.5	12	13	5	0.81
C811XHT10	M10	0.7	0.9	56	28	14	30	55	11	99	40	34.5	15	17	6	0.81
C811XHT12	M12	1.1	1.35	56	28	14	30	55	11	99	40	35.5	18	19	7	0.81
C811XHT14	M14	1.4	1.8	74.5	38	18	47	78	17	135.5	55	46	21	22	7	2.86
C811XHT16	M16	2	2.5	74.5	38	18	47	78	17	135.5	55	46.5	25	24	10	2.86
C811XHT18	M18	2	2.5	74.5	38	18	47	78	17	135.5	55	47	27	27	10	2.86
C811XHT20	M20	3.2	4	74.5	38	18	47	78	17	135.5	55	48	30	30	12	2.86
C811XHT22	M22	3.5	4.5	106	56	25	62	114.5	22	198.5	84	63.5	33	32	12	8.81
C811XHT24	M24	5	6.3	106	56	25	62	114.5	22	198.5	84	64.5	36	36	14	8.81
C811XHT27	M27	5	6.3	106	56	25	62	114.5	22	198.5	84	66.5	40	41	14	8.81
C811XHT30	M30	6.4	8	106	56	25	62	114.5	22	198.5	84	68	45	46	17	8.81

• Available with special bolt lengths and also in UNC thread

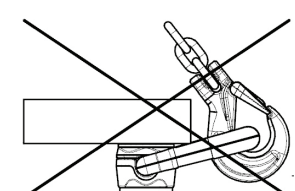
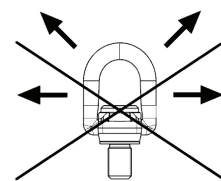
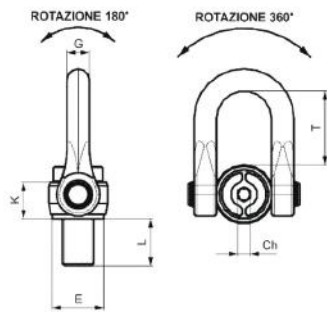
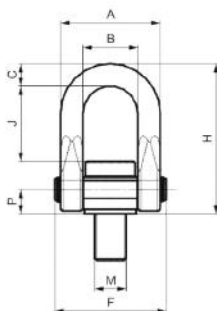


C813X Performer Heavy Lift Swivel Hoist Ring – 4:1 Design Factor



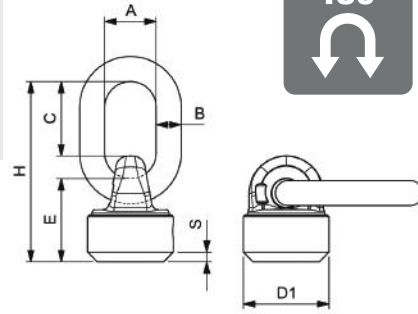
Part #	Size mm	WLL t	A mm	B mm	C mm	E mm	F mm	G mm	H mm	J mm	K mm	L mm	P mm	T mm	Ch mm	Weight lb
C813X33	M33	10.5	131	71	30	69	149	30	199	100	49	50	32.5	97	17	12.34
C813X36	M36	12	131	71	30	69	149	30	199	100	49	54	32.5	97	17	12.78
C813X39	M39	14	131	71	30	69	149	30	199	100	49	58	32.5	97	17	13.00
C813X42	M42	15	131	71	30	69	149	30	199	100	49	63	32.5	97	17	13.22
C813X45	M45	16	131	71	30	69	149	30	199	100	49	63	32.5	97	17	13.44
C813X48	M48	20	164	92	40	89	182	40	249	122	63	68	40	119	19	25.57
C813X52	M52	21	164	92	40	89	182	40	249	122	63	68	40	119	19	26.01
C813X56	M56	25	164	92	40	89	182	40	249	122	63	78	40	119	19	26.67
C813X64	M64	32.1	164	92	40	89	182	40	249	122	63	90	40	119	19	28.43
C813X72	M72	25	164	92	40	89	182	40	249	122	63	78	40	119	19	33.28
C813X80	M80	32.1	164	92	40	89	182	40	249	122	63	90	40	119	19	35.05
C813X90	M90	32.1	164	92	40	89	182	40	249	122	63	90	40	119	19	37.25
C813X100	M100	32.1	164	92	40	89	182	40	249	122	63	90	40	119	19	37.25

• Available with special bolt lengths and also in UNC thread



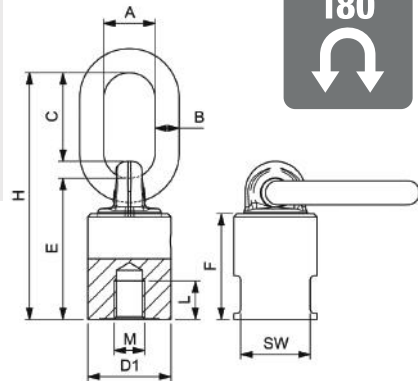
C815X Rotating Eyebolt Weld-on Type w/Ring

Part #	WLL tons	A mm	B mm	C mm	E mm	H mm	D1 mm	S x 45° mm	Weight lb
C815X025	2.5	34	16	58	61	131	52	5.5	2.31
C815X040	4	40	18	72	67	152	58	7	3.17
C815X067	6.7	45	22	65	73	158	75	8.5	5.95
C815X010	10	50	23	92	86	201	85	10	8.70
C815X017	17	70	32	120	105	255	110	12	18.73



C816X Rotating Eye Nut w/Ring

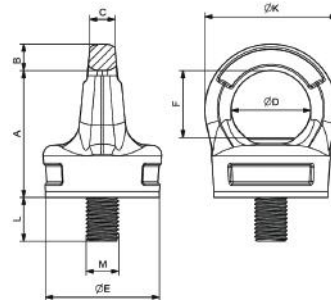
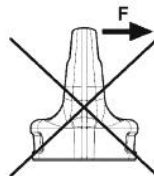
Part #	Size mm	WLL tons	A mm	B mm	C mm	E mm	F mm	H mm	SW mm	D1 mm	Weight lb
C816X0051215	M12x15	0.5	30	13	47	69	50	124	34	36.5	1.34
C816X0101620	M16x20	1	30	13	47	76	57	131	34	38	1.49
C816X0172025	M20x25	1.7	34	16	58	93	70	164	46	55	3.63
C816X0212430	M24x30	2.1	42	18	72	107	81	193	50	58	4.78
C816X0323040	M30x40	3.2	45	22	65	126	94	211	65	75	9.45
C816X0503645	M36x45	5	50	23	92	145	109.5	260	75	84	13.71



C817X Eyebolt 'Twister' w/Bearing

Part #	Size mm	WLL tons	A mm	B mm	C mm	D Ømm	E Ømm	F mm	K Ømm	L mm	Weight lb
C817XC12	M12	0.75	53.5	11	11	34	44	32	56	18	1.01
C817XC16	M16	1.5	56.5	13	14.5	39	56	33	65	24	1.98
C817XC20	M20	2.3	67	14	17	42	58	40	70	30	2.53
C817XC24	M24	3.2	80	18	19	52	73	44.5	88	38.5	4.51
C817XC30	M30	4.5	101	22	27	62	80	53	106	44	8.81

• Suitable for rotation under load in vertical pull.



NO Second-Guessing Safe Work Loads

WLL Marked on Cartec Lifting Points
Always Apply.



QR Code for
instructions
download



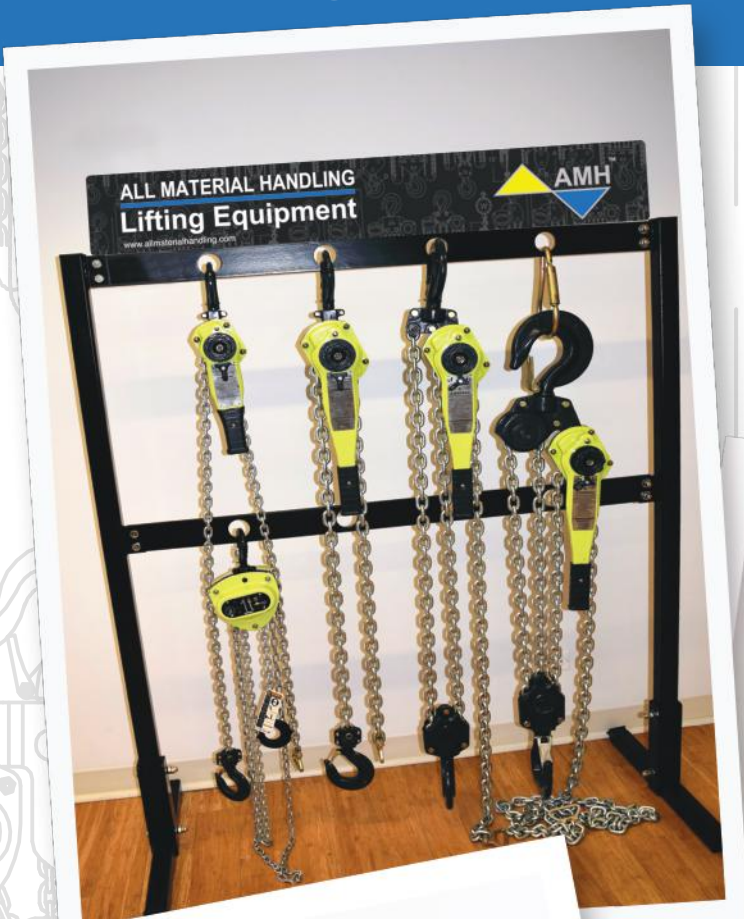
**C813X
PERFORMER**



C807X H.T.



Hoist Displays



Contact Your AMH Representative for Details

Brands

X5TM

BADGERTM

CARTEC MADE IN ITALY

Grey Classic Taiwan

DRAKCHAIN MADE IN GERMANY

Blue Classic Taiwan

LockAidTM
Security Chain + Padlock

LockNessTM

Products

- Lever Chain Hoists
- Hand Chain Hoists
- Cable Pullers
- Push and Geared Trolleys
- Beam Clamps
- Walk-E-Dogs
- Alloy Chain Fittings
- Alloy Master Links & Subs
- Alloy Sling Chain
- Alloy Lifting Points
- Web Slings & Tie Downs
- Round Slings
- Alloy Sling Hooks for Synthetics
- Plate Clamps
- Weld-on Bucket Hooks
- Security Chains & Padlocks



www.allmaterialhandling.com

Contact AMH

All Material Handling
345 N. Canal St, Ste C1
Chicago, IL 60606
sales@allmaterialhandling.com

Call Us

Local: (312) 698-8658
Toll-Free: (877) 543-8264
Fax: (312) 274-9780

Multiple Distribution Centers

Des Moines, IA 50317
Monroe, GA 30655
Houston, TX 77028
Milwaukie, OR 97222