

Clamping levers, zinc with male thread and clamping force intensifier

Item description/product images



Description

Material:

Handle die-cast zinc DIN EN 12844.

Steel parts grade 5.8.

Note:

Standard colors are:

black satin finish, orange RAL 2004, ruby red RAL 3003, silver metallic, high gloss chromate.

Application:

Machine, equipment and plant construction, rehabilitation sector.

Benefits:

Significant increase of the clamping force with the same tightening torque.

High quality axial needle bearing with high load rating and long service life.

The component surface is protected by the stationary lower ring.

Drawing reference:

1) flat point DIN EN ISO 4753

Clamping levers, zinc with male thread and clamping force intensifier

Item description/product images



Clamping levers, zinc with male thread and clamping force intensifier

Item description/product images

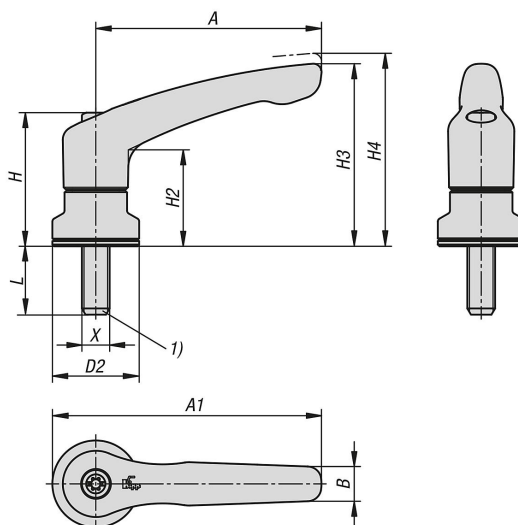


lift to
disengage



Clamping levers, zinc with male thread and clamping force intensifier

Drawings



Order No.	Main color	Surface finish body	X	D2	H	H2	H3	H4	A	A1	B	L
K1599.2081X10	black	powder coated	M8	25	38,5	27,7	52,6	55,6	65	77,5	10	10
K1599.2081X20	black	powder coated	M8	25	38,5	27,7	52,6	55,6	65	77,5	10	20
K1599.2081X30	black	powder coated	M8	25	38,5	27,7	52,6	55,6	65	77,5	10	30
K1599.2081X40	black	powder coated	M8	25	38,5	27,7	52,6	55,6	65	77,5	10	40
K1599.3101X15	black	powder coated	M10	30	47	33,9	64,4	68,6	80	95	11,2	15
K1599.3101X30	black	powder coated	M10	30	47	33,9	64,4	68,6	80	95	11,2	30
K1599.3101X40	black	powder coated	M10	30	47	33,9	64,4	68,6	80	95	11,2	40
K1599.3101X50	black	powder coated	M10	30	47	33,9	64,4	68,6	80	95	11,2	50
K1599.4101X20	black	powder coated	M10	30	53,1	37,2	72,8	77,3	95	110	13,2	20
K1599.4101X30	black	powder coated	M10	30	53,1	37,2	72,8	77,3	95	110	13,2	30
K1599.4101X40	black	powder coated	M10	30	53,1	37,2	72,8	77,3	95	110	13,2	40
K1599.4101X50	black	powder coated	M10	30	53,1	37,2	72,8	77,3	95	110	13,2	50
K1599.5121X20	black	powder coated	M12	35	59,1	41,9	83	87,5	110	127,5	15,4	20
K1599.5121X30	black	powder coated	M12	35	59,1	41,9	83	87,5	110	127,5	15,4	30
K1599.5121X40	black	powder coated	M12	35	59,1	41,9	83	87,5	110	127,5	15,4	40
K1599.5121X50	black	powder coated	M12	35	59,1	41,9	83	87,5	110	127,5	15,4	50
K1599.2082X10	orange RAL 2004	powder coated	M8	25	38,5	27,7	52,6	55,6	65	77,5	10	10
K1599.2082X20	orange RAL 2004	powder coated	M8	25	38,5	27,7	52,6	55,6	65	77,5	10	20
K1599.2082X30	orange RAL 2004	powder coated	M8	25	38,5	27,7	52,6	55,6	65	77,5	10	30
K1599.2082X40	orange RAL 2004	powder coated	M8	25	38,5	27,7	52,6	55,6	65	77,5	10	40
K1599.3102X15	orange RAL 2004	powder coated	M10	30	47	33,9	64,4	68,6	80	95	11,2	15
K1599.3102X30	orange RAL 2004	powder coated	M10	30	47	33,9	64,4	68,6	80	95	11,2	30
K1599.3102X40	orange RAL 2004	powder coated	M10	30	47	33,9	64,4	68,6	80	95	11,2	40
K1599.3102X50	orange RAL 2004	powder coated	M10	30	47	33,9	64,4	68,6	80	95	11,2	50
K1599.4102X20	orange RAL 2004	powder coated	M10	30	53,1	37,2	72,8	77,3	95	110	13,2	20
K1599.4102X30	orange RAL 2004	powder coated	M10	30	53,1	37,2	72,8	77,3	95	110	13,2	30
K1599.4102X40	orange RAL 2004	powder coated	M10	30	53,1	37,2	72,8	77,3	95	110	13,2	40
K1599.4102X50	orange RAL 2004	powder coated	M10	30	53,1	37,2	72,8	77,3	95	110	13,2	50
K1599.5122X20	orange RAL 2004	powder coated	M12	35	59,1	41,9	83	87,5	110	127,5	15,4	20
K1599.5122X30	orange RAL 2004	powder coated	M12	35	59,1	41,9	83	87,5	110	127,5	15,4	30
K1599.5122X40	orange RAL 2004	powder coated	M12	35	59,1	41,9	83	87,5	110	127,5	15,4	40
K1599.5122X50	orange RAL 2004	powder coated	M12	35	59,1	41,9	83	87,5	110	127,5	15,4	50
K1599.20827X10	ruby red	powder coated	M8	25	38,5	27,7	52,6	55,6	65	77,5	10	10
K1599.20827X20	ruby red	powder coated	M8	25	38,5	27,7	52,6	55,6	65	77,5	10	20
K1599.20827X30	ruby red	powder coated	M8	25	38,5	27,7	52,6	55,6	65	77,5	10	30
K1599.20827X40	ruby red	powder coated	M8	25	38,5	27,7	52,6	55,6	65	77,5	10	40
K1599.31027X15	ruby red	powder coated	M10	30	47	33,9	64,4	68,6	80	95	11,2	15
K1599.31027X30	ruby red	powder coated	M10	30	47	33,9	64,4	68,6	80	95	11,2	30
K1599.31027X40	ruby red	powder coated	M10	30	47	33,9	64,4	68,6	80	95	11,2	40

Clamping levers, zinc with male thread and clamping force intensifier

Order No.	Main color	Surface finish body	X	D2	H	H2	H3	H4	A	A1	B	L
K1599.31027X50	ruby red	powder coated	M10	30	47	33,9	64,4	68,6	80	95	11,2	50
K1599.41027X20	ruby red	powder coated	M10	30	53,1	37,2	72,8	77,3	95	110	13,2	20
K1599.41027X30	ruby red	powder coated	M10	30	53,1	37,2	72,8	77,3	95	110	13,2	30
K1599.41027X40	ruby red	powder coated	M10	30	53,1	37,2	72,8	77,3	95	110	13,2	40
K1599.41027X50	ruby red	powder coated	M10	30	53,1	37,2	72,8	77,3	95	110	13,2	50
K1599.51227X20	ruby red	powder coated	M12	35	59,1	41,9	83	87,5	110	127,5	15,4	20
K1599.51227X30	ruby red	powder coated	M12	35	59,1	41,9	83	87,5	110	127,5	15,4	30
K1599.51227X40	ruby red	powder coated	M12	35	59,1	41,9	83	87,5	110	127,5	15,4	40
K1599.51227X50	ruby red	powder coated	M12	35	59,1	41,9	83	87,5	110	127,5	15,4	50
K1599.2083X10	silver metallic	powder coated	M8	25	38,5	27,7	52,6	55,6	65	77,5	10	10
K1599.2083X20	silver metallic	powder coated	M8	25	38,5	27,7	52,6	55,6	65	77,5	10	20
K1599.2083X30	silver metallic	powder coated	M8	25	38,5	27,7	52,6	55,6	65	77,5	10	30
K1599.2083X40	silver metallic	powder coated	M8	25	38,5	27,7	52,6	55,6	65	77,5	10	40
K1599.3103X15	silver metallic	powder coated	M10	30	47	33,9	64,4	68,6	80	95	11,2	15
K1599.3103X30	silver metallic	powder coated	M10	30	47	33,9	64,4	68,6	80	95	11,2	30
K1599.3103X40	silver metallic	powder coated	M10	30	47	33,9	64,4	68,6	80	95	11,2	40
K1599.3103X50	silver metallic	powder coated	M10	30	47	33,9	64,4	68,6	80	95	11,2	50
K1599.4103X20	silver metallic	powder coated	M10	30	53,1	37,2	72,8	77,3	95	110	13,2	20
K1599.4103X30	silver metallic	powder coated	M10	30	53,1	37,2	72,8	77,3	95	110	13,2	30
K1599.4103X40	silver metallic	powder coated	M10	30	53,1	37,2	72,8	77,3	95	110	13,2	40
K1599.4103X50	silver metallic	powder coated	M10	30	53,1	37,2	72,8	77,3	95	110	13,2	50
K1599.5123X20	silver metallic	powder coated	M12	35	59,1	41,9	83	87,5	110	127,5	15,4	20
K1599.5123X30	silver metallic	powder coated	M12	35	59,1	41,9	83	87,5	110	127,5	15,4	30
K1599.5123X40	silver metallic	powder coated	M12	35	59,1	41,9	83	87,5	110	127,5	15,4	40
K1599.5123X50	silver metallic	powder coated	M12	35	59,1	41,9	83	87,5	110	127,5	15,4	50
K1599.2086X10	silver	high-gloss chromed	M8	25	38,5	27,7	52,6	55,6	65	77,5	10	10
K1599.2086X20	silver	high-gloss chromed	M8	25	38,5	27,7	52,6	55,6	65	77,5	10	20
K1599.2086X30	silver	high-gloss chromed	M8	25	38,5	27,7	52,6	55,6	65	77,5	10	30
K1599.2086X40	silver	high-gloss chromed	M8	25	38,5	27,7	52,6	55,6	65	77,5	10	40
K1599.3106X15	silver	high-gloss chromed	M10	30	47	33,9	64,4	68,6	80	95	11,2	15
K1599.3106X30	silver	high-gloss chromed	M10	30	47	33,9	64,4	68,6	80	95	11,2	30
K1599.3106X40	silver	high-gloss chromed	M10	30	47	33,9	64,4	68,6	80	95	11,2	40
K1599.3106X50	silver	high-gloss chromed	M10	30	47	33,9	64,4	68,6	80	95	11,2	50
K1599.4106X20	silver	high-gloss chromed	M10	30	53,1	37,2	72,8	77,3	95	110	13,2	20
K1599.4106X30	silver	high-gloss chromed	M10	30	53,1	37,2	72,8	77,3	95	110	13,2	30
K1599.4106X40	silver	high-gloss chromed	M10	30	53,1	37,2	72,8	77,3	95	110	13,2	40
K1599.4106X50	silver	high-gloss chromed	M10	30	53,1	37,2	72,8	77,3	95	110	13,2	50
K1599.5126X20	silver	high-gloss chromed	M12	35	59,1	41,9	83	87,5	110	127,5	15,4	20
K1599.5126X30	silver	high-gloss chromed	M12	35	59,1	41,9	83	87,5	110	127,5	15,4	30
K1599.5126X40	silver	high-gloss chromed	M12	35	59,1	41,9	83	87,5	110	127,5	15,4	40
K1599.5126X50	silver	high-gloss chromed	M12	35	59,1	41,9	83	87,5	110	127,5	15,4	50

Clamping levers, zinc with female thread and clamping force intensifier

Item description/product images



Description

Product description:

By using clamping levers with integrated clamping force intensifier, the clamping force can be increased by up to 75% compared to standard clamping levers.

Furthermore, this product can also be used by persons with limited hand strength (e.g. in rehabilitation) to achieve comparable clamping forces with less effort. Less effort is also needed to loosen the clamping lever.

The increase in clamping force is achieved by the integral needle roller thrust bearing, which generates very low surface friction on a rigid contact surface during clamping. The hardened thrust washers are designed for high clamping forces and the bearing with its high load rating guarantees a long service life.

The clamped component is permanently protected by the large, stationary contact surface. A washer is no longer required.

Material:

Handle die-cast zinc DIN EN 12844.
Steel parts grade 5.8.

Note:

Standard colors are:
black satin finish, orange RAL 2004, ruby red RAL 3003, silver metallic, high gloss chromate.

Application:

Machine, equipment and plant construction, rehabilitation sector.

Benefits:

Significant increase of the clamping force with the same tightening torque.
High quality axial needle bearing with high load rating and long service life.
The component surface is protected by the stationary lower ring.

On request:

Other colors.

Clamping levers, zinc with female thread and clamping force intensifier

Item description/product images



Clamping levers, zinc with female thread and clamping force intensifier

Item description/product images

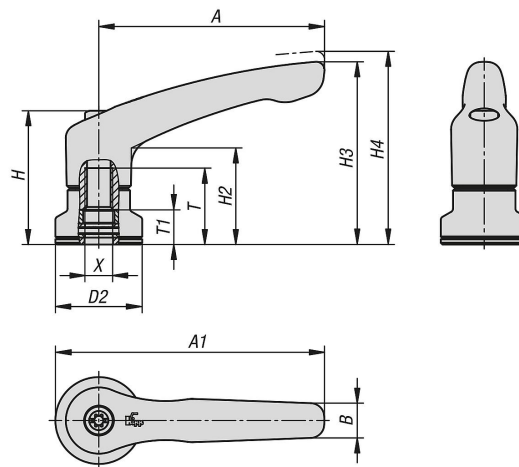


lift to
disengage



Clamping levers, zinc with female thread and clamping force intensifier

Drawings



Order No.	Main color	Surface finish body	X	D2	H	H2	H3	H4	A	A1	B	T	T1
K1599.2081	black	powder coated	M8	25	38,5	27,7	52,6	55,6	65	77,5	10	22	10
K1599.3101	black	powder coated	M10	30	47	33,9	64,4	68,6	80	95	11,2	24	10
K1599.4101	black	powder coated	M10	30	53,1	37,2	72,8	77,3	95	110	13,2	27	10
K1599.5121	black	powder coated	M12	35	59,1	41,9	83	87,5	110	127,5	15,4	33	10
K1599.2082	orange RAL 2004	powder coated	M8	25	38,5	27,7	52,6	55,6	65	77,5	10	22	10
K1599.3102	orange RAL 2004	powder coated	M10	30	47	33,9	64,4	68,6	80	95	11,2	24	10
K1599.4102	orange RAL 2004	powder coated	M10	30	53,1	37,2	72,8	77,3	95	110	13,2	27	10
K1599.5122	orange RAL 2004	powder coated	M12	35	59,1	41,9	83	87,5	110	127,5	15,4	33	10
K1599.20827	ruby red	powder coated	M8	25	38,5	27,7	52,6	55,6	65	77,5	10	22	10
K1599.31027	ruby red	powder coated	M10	30	47	33,9	64,4	68,6	80	95	11,2	24	10
K1599.41027	ruby red	powder coated	M10	30	53,1	37,2	72,8	77,3	95	110	13,2	27	10
K1599.51227	ruby red	powder coated	M12	35	59,1	41,9	83	87,5	110	127,5	15,4	33	10
K1599.2083	silver metallic	powder coated	M8	25	38,5	27,7	52,6	55,6	65	77,5	10	22	10
K1599.3103	silver metallic	powder coated	M10	30	47	33,9	64,4	68,6	80	95	11,2	24	10
K1599.4103	silver metallic	powder coated	M10	30	53,1	37,2	72,8	77,3	95	110	13,2	27	10
K1599.5123	silver metallic	powder coated	M12	35	59,1	41,9	83	87,5	110	127,5	15,4	33	10
K1599.2086	silver	high-gloss chromed	M8	25	38,5	27,7	52,6	55,6	65	77,5	10	22	10
K1599.3106	silver	high-gloss chromed	M10	30	47	33,9	64,4	68,6	80	95	11,2	24	10
K1599.4106	silver	high-gloss chromed	M10	30	53,1	37,2	72,8	77,3	95	110	13,2	27	10
K1599.5126	silver	high-gloss chromed	M12	35	59,1	41,9	83	87,5	110	127,5	15,4	33	10

Clamping levers, zinc with male thread and clamping force intensifier

Item description/product images



Description

Material:

Handle die-cast zinc DIN EN 12844.

Steel parts stainless steel 1.4305 (AISI 303 equivalent).

Note:

Standard colors are:

black satin finish, orange RAL 2004, ruby red RAL 3003, silver metallic, high gloss chromate.

Application:

Machine, equipment and plant construction, rehabilitation sector.

Benefits:

Significant increase of the clamping force with the same tightening torque.

High quality axial needle bearing with high load rating and long service life.

The component surface is protected by the stationary lower ring.

Drawing reference:

1) flat point DIN EN ISO 4753

Clamping levers, zinc with male thread and clamping force intensifier

Item description/product images



Clamping levers, zinc with male thread and clamping force intensifier

Item description/product images

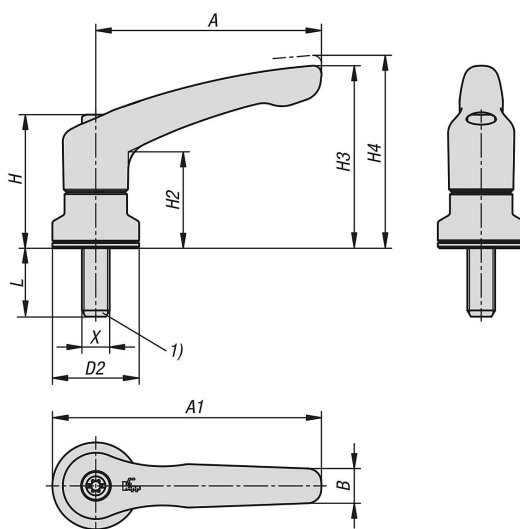


Clamping levers, zinc with male thread and clamping force intensifier

Item description/product images



Drawings



Order No.	Main color	Surface finish body	X	D2	H	H2	H3	H4	A	A1	B	L
K1626.2081X10	black	powder coated	M8	25	38,5	27,7	52,6	55,6	65	77,5	10	10
K1626.2081X20	black	powder coated	M8	25	38,5	27,7	52,6	55,6	65	77,5	10	20
K1626.2081X30	black	powder coated	M8	25	38,5	27,7	52,6	55,6	65	77,5	10	30
K1626.2081X40	black	powder coated	M8	25	38,5	27,7	52,6	55,6	65	77,5	10	40
K1626.3101X15	black	powder coated	M10	30	47	33,9	64,4	68,6	80	95	11,2	15
K1626.3101X30	black	powder coated	M10	30	47	33,9	64,4	68,6	80	95	11,2	30
K1626.3101X40	black	powder coated	M10	30	47	33,9	64,4	68,6	80	95	11,2	40
K1626.3101X50	black	powder coated	M10	30	47	33,9	64,4	68,6	80	95	11,2	50
K1626.4101X20	black	powder coated	M10	30	53,1	37,2	72,8	77,3	95	110	13,2	20
K1626.4101X30	black	powder coated	M10	30	53,1	37,2	72,8	77,3	95	110	13,2	30
K1626.4101X40	black	powder coated	M10	30	53,1	37,2	72,8	77,3	95	110	13,2	40
K1626.4101X50	black	powder coated	M10	30	53,1	37,2	72,8	77,3	95	110	13,2	50
K1626.5121X20	black	powder coated	M12	35	59,1	41,9	83	87,5	110	127,5	15,4	20
K1626.5121X30	black	powder coated	M12	35	59,1	41,9	83	87,5	110	127,5	15,4	30
K1626.5121X40	black	powder coated	M12	35	59,1	41,9	83	87,5	110	127,5	15,4	40

Clamping levers, zinc with male thread and clamping force intensifier

Order No.	Main color	Surface finish body	X	D2	H	H2	H3	H4	A	A1	B	L
K1626.5121X50	black	powder coated	M12	35	59,1	41,9	83	87,5	110	127,5	15,4	50
K1626.2082X10	orange RAL 2004	powder coated	M8	25	38,5	27,7	52,6	55,6	65	77,5	10	10
K1626.2082X20	orange RAL 2004	powder coated	M8	25	38,5	27,7	52,6	55,6	65	77,5	10	20
K1626.2082X30	orange RAL 2004	powder coated	M8	25	38,5	27,7	52,6	55,6	65	77,5	10	30
K1626.2082X40	orange RAL 2004	powder coated	M8	25	38,5	27,7	52,6	55,6	65	77,5	10	40
K1626.3102X15	orange RAL 2004	powder coated	M10	30	47	33,9	64,4	68,6	80	95	11,2	15
K1626.3102X30	orange RAL 2004	powder coated	M10	30	47	33,9	64,4	68,6	80	95	11,2	30
K1626.3102X40	orange RAL 2004	powder coated	M10	30	47	33,9	64,4	68,6	80	95	11,2	40
K1626.3102X50	orange RAL 2004	powder coated	M10	30	47	33,9	64,4	68,6	80	95	11,2	50
K1626.4102X20	orange RAL 2004	powder coated	M10	30	53,1	37,2	72,8	77,3	95	110	13,2	20
K1626.4102X30	orange RAL 2004	powder coated	M10	30	53,1	37,2	72,8	77,3	95	110	13,2	30
K1626.4102X40	orange RAL 2004	powder coated	M10	30	53,1	37,2	72,8	77,3	95	110	13,2	40
K1626.4102X50	orange RAL 2004	powder coated	M10	30	53,1	37,2	72,8	77,3	95	110	13,2	50
K1626.5122X20	orange RAL 2004	powder coated	M12	35	59,1	41,9	83	87,5	110	127,5	15,4	20
K1626.5122X30	orange RAL 2004	powder coated	M12	35	59,1	41,9	83	87,5	110	127,5	15,4	30
K1626.5122X40	orange RAL 2004	powder coated	M12	35	59,1	41,9	83	87,5	110	127,5	15,4	40
K1626.5122X50	orange RAL 2004	powder coated	M12	35	59,1	41,9	83	87,5	110	127,5	15,4	50
K1626.20827X10	ruby red	powder coated	M8	25	38,5	27,7	52,6	55,6	65	77,5	10	10
K1626.20827X20	ruby red	powder coated	M8	25	38,5	27,7	52,6	55,6	65	77,5	10	20
K1626.20827X30	ruby red	powder coated	M8	25	38,5	27,7	52,6	55,6	65	77,5	10	30
K1626.20827X40	ruby red	powder coated	M8	25	38,5	27,7	52,6	55,6	65	77,5	10	40
K1626.31027X15	ruby red	powder coated	M10	30	47	33,9	64,4	68,6	80	95	11,2	15
K1626.31027X30	ruby red	powder coated	M10	30	47	33,9	64,4	68,6	80	95	11,2	30
K1626.31027X40	ruby red	powder coated	M10	30	47	33,9	64,4	68,6	80	95	11,2	40
K1626.31027X50	ruby red	powder coated	M10	30	47	33,9	64,4	68,6	80	95	11,2	50
K1626.41027X20	ruby red	powder coated	M10	30	53,1	37,2	72,8	77,3	95	110	13,2	20
K1626.41027X30	ruby red	powder coated	M10	30	53,1	37,2	72,8	77,3	95	110	13,2	30
K1626.41027X40	ruby red	powder coated	M10	30	53,1	37,2	72,8	77,3	95	110	13,2	40
K1626.41027X50	ruby red	powder coated	M10	30	53,1	37,2	72,8	77,3	95	110	13,2	50
K1626.51227X20	ruby red	powder coated	M12	35	59,1	41,9	83	87,5	110	127,5	15,4	20
K1626.51227X30	ruby red	powder coated	M12	35	59,1	41,9	83	87,5	110	127,5	15,4	30
K1626.51227X40	ruby red	powder coated	M12	35	59,1	41,9	83	87,5	110	127,5	15,4	40
K1626.51227X50	ruby red	powder coated	M12	35	59,1	41,9	83	87,5	110	127,5	15,4	50
K1626.2083X10	silver metallic	powder coated	M8	25	38,5	27,7	52,6	55,6	65	77,5	10	10
K1626.2083X20	silver metallic	powder coated	M8	25	38,5	27,7	52,6	55,6	65	77,5	10	20
K1626.2083X30	silver metallic	powder coated	M8	25	38,5	27,7	52,6	55,6	65	77,5	10	30
K1626.2083X40	silver metallic	powder coated	M8	25	38,5	27,7	52,6	55,6	65	77,5	10	40
K1626.3103X15	silver metallic	powder coated	M10	30	47	33,9	64,4	68,6	80	95	11,2	15
K1626.3103X30	silver metallic	powder coated	M10	30	47	33,9	64,4	68,6	80	95	11,2	30
K1626.3103X40	silver metallic	powder coated	M10	30	47	33,9	64,4	68,6	80	95	11,2	40
K1626.3103X50	silver metallic	powder coated	M10	30	47	33,9	64,4	68,6	80	95	11,2	50
K1626.4103X20	silver metallic	powder coated	M10	30	53,1	37,2	72,8	77,3	95	110	13,2	20
K1626.4103X30	silver metallic	powder coated	M10	30	53,1	37,2	72,8	77,3	95	110	13,2	30
K1626.4103X40	silver metallic	powder coated	M10	30	53,1	37,2	72,8	77,3	95	110	13,2	40
K1626.4103X50	silver metallic	powder coated	M10	30	53,1	37,2	72,8	77,3	95	110	13,2	50
K1626.5123X20	silver metallic	powder coated	M12	35	59,1	41,9	83	87,5	110	127,5	15,4	20
K1626.5123X30	silver metallic	powder coated	M12	35	59,1	41,9	83	87,5	110	127,5	15,4	30
K1626.5123X40	silver metallic	powder coated	M12	35	59,1	41,9	83	87,5	110	127,5	15,4	40
K1626.5123X50	silver metallic	powder coated	M12	35	59,1	41,9	83	87,5	110	127,5	15,4	50
K1626.2086X10	silver	high-gloss chromed	M8	25	38,5	27,7	52,6	55,6	65	77,5	10	10
K1626.2086X20	silver	high-gloss chromed	M8	25	38,5	27,7	52,6	55,6	65	77,5	10	20
K1626.2086X30	silver	high-gloss chromed	M8	25	38,5	27,7	52,6	55,6	65	77,5	10	30
K1626.2086X40	silver	high-gloss chromed	M8	25	38,5	27,7	52,6	55,6	65	77,5	10	40
K1626.3106X15	silver	high-gloss chromed	M10	30	47	33,9	64,4	68,6	80	95	11,2	15
K1626.3106X30	silver	high-gloss chromed	M10	30	47	33,9	64,4	68,6	80	95	11,2	30
K1626.3106X40	silver	high-gloss chromed	M10	30	47	33,9	64,4	68,6	80	95	11,2	40
K1626.3106X50	silver	high-gloss chromed	M10	30	47	33,9	64,4	68,6	80	95	11,2	50
K1626.4106X20	silver	high-gloss chromed	M10	30	53,1	37,2	72,8	77,3	95	110	13,2	20
K1626.4106X30	silver	high-gloss chromed	M10	30	53,1	37,2	72,8	77,3	95	110	13,2	30
K1626.4106X40	silver	high-gloss chromed	M10	30	53,1	37,2	72,8	77,3	95	110	13,2	40
K1626.4106X50	silver	high-gloss chromed	M10	30	53,1	37,2	72,8	77,3	95	110	13,2	50
K1626.5126X20	silver	high-gloss chromed	M12	35	59,1	41,9	83	87,5	110	127,5	15,4	20
K1626.5126X30	silver	high-gloss chromed	M12	35	59,1	41,9	83	87,5	110	127,5	15,4	30

Clamping levers, zinc with male thread and clamping force intensifier

Order No.	Main color	Surface finish body	X	D2	H	H2	H3	H4	A	A1	B	L
K1626.5126X40	silver	high-gloss chromed	M12	35	59,1	41,9	83	87,5	110	127,5	15,4	40
K1626.5126X50	silver	high-gloss chromed	M12	35	59,1	41,9	83	87,5	110	127,5	15,4	50

Clamping levers, zinc with female thread and clamping force intensifier

Item description/product images



Description

Product description:

By using clamping levers with integrated clamping force intensifier, the clamping force can be increased by up to 75% compared to standard clamping levers.

Furthermore, this product can also be used by persons with limited hand strength (e.g. in rehabilitation) to achieve comparable clamping forces with less effort. Less effort is also needed to loosen the clamping lever.

The increase in clamping force is achieved by the integral needle roller thrust bearing, which generates very low surface friction on a rigid contact surface during clamping. The hardened thrust washers are designed for high clamping forces and the bearing with its high load rating guarantees a long service life.

The clamped component is permanently protected by the large, stationary contact surface. A washer is no longer required.

Material:

Handle die-cast zinc DIN EN 12844.

Steel parts stainless steel 1.4305 (AISI 303 equivalent).

Note:

Standard colors are:

black satin finish, orange RAL 2004, ruby red RAL 3003, silver metallic, high gloss chromate.

Application:

Machine, equipment and plant construction, rehabilitation sector.

Benefits:

Significant increase of the clamping force with the same tightening torque.
High quality axial needle bearing with high load rating and long service life.
The component surface is protected by the stationary lower ring.

On request:

Other colors.

Item description/product images



Clamping levers, zinc with female thread and clamping force intensifier

Item description/product images

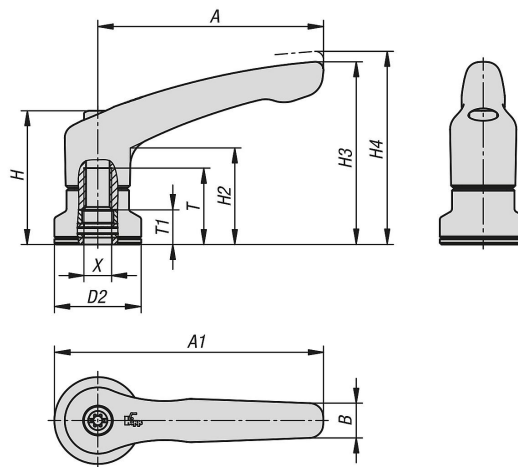


lift to
disengage



Clamping levers, zinc with female thread and clamping force intensifier

Drawings



Order No.	Main color	Surface finish body	X	D2	H	H2	H3	H4	A	A1	B	T	T1
K1626.2081	black	powder coated	M8	25	38,5	27,7	52,6	55,6	65	77,5	10	22	10
K1626.3101	black	powder coated	M10	30	47	33,9	64,4	68,6	80	95	11,2	24	10
K1626.4101	black	powder coated	M10	30	53,1	37,2	72,8	77,3	95	110	13,2	27	10
K1626.5121	black	powder coated	M12	35	59,1	41,9	83	87,5	110	127,5	15,4	33	10
K1626.2082	orange RAL 2004	powder coated	M8	25	38,5	27,7	52,6	55,6	65	77,5	10	22	10
K1626.3102	orange RAL 2004	powder coated	M10	30	47	33,9	64,4	68,6	80	95	11,2	24	10
K1626.4102	orange RAL 2004	powder coated	M10	30	53,1	37,2	72,8	77,3	95	110	13,2	27	10
K1626.5122	orange RAL 2004	powder coated	M12	35	59,1	41,9	83	87,5	110	127,5	15,4	33	10
K1626.20827	ruby red	powder coated	M8	25	38,5	27,7	52,6	55,6	65	77,5	10	22	10
K1626.31027	ruby red	powder coated	M10	30	47	33,9	64,4	68,6	80	95	11,2	24	10
K1626.41027	ruby red	powder coated	M10	30	53,1	37,2	72,8	77,3	95	110	13,2	27	10
K1626.51227	ruby red	powder coated	M12	35	59,1	41,9	83	87,5	110	127,5	15,4	33	10
K1626.2083	silver metallic	powder coated	M8	25	38,5	27,7	52,6	55,6	65	77,5	10	22	10
K1626.3103	silver metallic	powder coated	M10	30	47	33,9	64,4	68,6	80	95	11,2	24	10
K1626.4103	silver metallic	powder coated	M10	30	53,1	37,2	72,8	77,3	95	110	13,2	27	10
K1626.5123	silver metallic	powder coated	M12	35	59,1	41,9	83	87,5	110	127,5	15,4	33	10
K1626.2086	silver	high-gloss chromed	M8	25	38,5	27,7	52,6	55,6	65	77,5	10	22	10
K1626.3106	silver	high-gloss chromed	M10	30	47	33,9	64,4	68,6	80	95	11,2	24	10
K1626.4106	silver	high-gloss chromed	M10	30	53,1	37,2	72,8	77,3	95	110	13,2	27	10
K1626.5126	silver	high-gloss chromed	M12	35	59,1	41,9	83	87,5	110	127,5	15,4	33	10

Plastic clamping lever with male thread and clamping force intensifier

Item description/product images



Description

Material:

Handle fiberglass reinforced plastic with die-cast zinc toothed ring.
Steel parts grade 5.8.

Version:

Steel parts black oxidised.
Axial needle bearing with hardened and ground thrust washer.

Type of operation:

The handle lever is engaged in the toothed insert by means of a toothed ring when not actuated, enabling the thread to be tightened or loosened. By lifting the handle, it can be repositioned and re-engaged in the toothed ring by spring force.

Application:

Machine, equipment and plant construction, rehabilitation sector.

Benefits:

Significant increase of the clamping force with the same tightening torque.
High quality axial needle bearing with high load rating and long service life.
The component surface is protected by the stationary lower ring.

On request:

Special versions.
Other colours and thread lengths.

Drawing reference:

1) flat point DIN EN ISO 4753

Plastic clamping lever with male thread and clamping force intensifier

Item description/product images



Plastic clamping lever with male thread and clamping force intensifier

Item description/product images



Plastic clamping lever with male thread and clamping force intensifier

Item description/product images

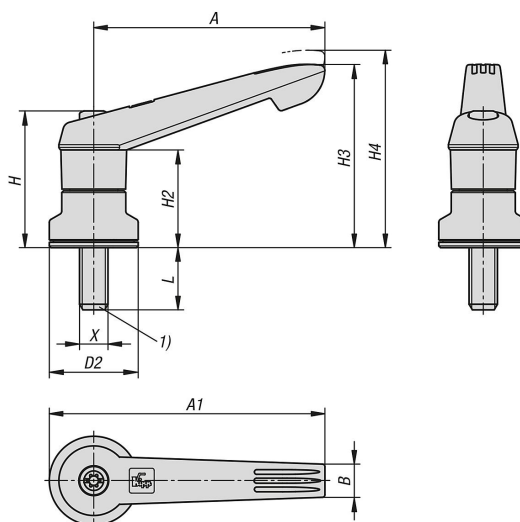


lift to
disengage



Plastic clamping lever with male thread and clamping force intensifier

Drawings



Order No.	Main color	X	D2	H	H2	H3	H4	A	A1	B	L
K1597.2081X10	black gray RAL 7021	M8	25	38,5	27,5	51,6	55,6	65	77,5	9,4	10
K1597.2081X20	black gray RAL 7021	M8	25	38,5	27,5	51,6	55,6	65	77,5	9,4	20
K1597.2081X30	black gray RAL 7021	M8	25	38,5	27,5	51,6	55,6	65	77,5	9,4	30
K1597.2081X40	black gray RAL 7021	M8	25	38,5	27,5	51,6	55,6	65	77,5	9,4	40
K1597.3101X15	black gray RAL 7021	M10	30	47	34	63,4	67,9	80	95	11,1	15
K1597.3101X30	black gray RAL 7021	M10	30	47	34	63,4	67,9	80	95	11,1	30
K1597.3101X40	black gray RAL 7021	M10	30	47	34	63,4	67,9	80	95	11,1	40
K1597.3101X50	black gray RAL 7021	M10	30	47	34	63,4	67,9	80	95	11,1	50
K1597.4101X20	black gray RAL 7021	M10	30	53,1	36	71,1	76,1	95,4	110,4	13,2	20
K1597.4101X30	black gray RAL 7021	M10	30	53,1	36	71,1	76,1	95,4	110,4	13,2	30
K1597.4101X40	black gray RAL 7021	M10	30	53,1	36	71,1	76,1	95,4	110,4	13,2	40
K1597.4101X50	black gray RAL 7021	M10	30	53,1	36	71,1	76,1	95,4	110,4	13,2	50
K1597.5121X20	black gray RAL 7021	M12	35	59,1	43	82,8	87,8	109,9	127,4	15,6	20
K1597.5121X30	black gray RAL 7021	M12	35	59,1	43	82,8	87,8	109,9	127,4	15,6	30
K1597.5121X40	black gray RAL 7021	M12	35	59,1	43	82,8	87,8	109,9	127,4	15,6	40
K1597.5121X50	black gray RAL 7021	M12	35	59,1	43	82,8	87,8	109,9	127,4	15,6	50
K1597.2082X10	orange RAL 2004	M8	25	38,5	27,5	51,6	55,6	65	77,5	9,4	10
K1597.2082X20	orange RAL 2004	M8	25	38,5	27,5	51,6	55,6	65	77,5	9,4	20
K1597.2082X30	orange RAL 2004	M8	25	38,5	27,5	51,6	55,6	65	77,5	9,4	30
K1597.2082X40	orange RAL 2004	M8	25	38,5	27,5	51,6	55,6	65	77,5	9,4	40
K1597.3102X15	orange RAL 2004	M10	30	47	34	63,4	67,9	80	95	11,1	15
K1597.3102X30	orange RAL 2004	M10	30	47	34	63,4	67,9	80	95	11,1	30
K1597.3102X40	orange RAL 2004	M10	30	47	34	63,4	67,9	80	95	11,1	40
K1597.3102X50	orange RAL 2004	M10	30	47	34	63,4	67,9	80	95	11,1	50
K1597.4102X20	orange RAL 2004	M10	30	53,1	36	71,1	76,1	95,4	110,4	13,2	20
K1597.4102X30	orange RAL 2004	M10	30	53,1	36	71,1	76,1	95,4	110,4	13,2	30
K1597.4102X40	orange RAL 2004	M10	30	53,1	36	71,1	76,1	95,4	110,4	13,2	40
K1597.4102X50	orange RAL 2004	M10	30	53,1	36	71,1	76,1	95,4	110,4	13,2	50
K1597.5122X20	orange RAL 2004	M12	35	59,1	43	82,8	87,8	109,9	127,4	15,6	20
K1597.5122X30	orange RAL 2004	M12	35	59,1	43	82,8	87,8	109,9	127,4	15,6	30
K1597.5122X40	orange RAL 2004	M12	35	59,1	43	82,8	87,8	109,9	127,4	15,6	40
K1597.5122X50	orange RAL 2004	M12	35	59,1	43	82,8	87,8	109,9	127,4	15,6	50
K1597.20816X10	rapeseed yellow RAL 1021	M8	25	38,5	27,5	51,6	55,6	65	77,5	9,4	10
K1597.20816X20	rapeseed yellow RAL 1021	M8	25	38,5	27,5	51,6	55,6	65	77,5	9,4	20
K1597.20816X30	rapeseed yellow RAL 1021	M8	25	38,5	27,5	51,6	55,6	65	77,5	9,4	30
K1597.20816X40	rapeseed yellow RAL 1021	M8	25	38,5	27,5	51,6	55,6	65	77,5	9,4	40
K1597.31016X15	rapeseed yellow RAL 1021	M10	30	47	34	63,4	67,9	80	95	11,1	15
K1597.31016X30	rapeseed yellow RAL 1021	M10	30	47	34	63,4	67,9	80	95	11,1	30
K1597.31016X40	rapeseed yellow RAL 1021	M10	30	47	34	63,4	67,9	80	95	11,1	40

Plastic clamping lever with male thread and clamping force intensifier

Order No.	Main color	X	D2	H	H2	H3	H4	A	A1	B	L
K1597.31016X50	rapeseed yellow RAL 1021	M10	30	47	34	63,4	67,9	80	95	11,1	50
K1597.41016X20	rapeseed yellow RAL 1021	M10	30	53,1	36	71,1	76,1	95,4	110,4	13,2	20
K1597.41016X30	rapeseed yellow RAL 1021	M10	30	53,1	36	71,1	76,1	95,4	110,4	13,2	30
K1597.41016X40	rapeseed yellow RAL 1021	M10	30	53,1	36	71,1	76,1	95,4	110,4	13,2	40
K1597.41016X50	rapeseed yellow RAL 1021	M10	30	53,1	36	71,1	76,1	95,4	110,4	13,2	50
K1597.51216X20	rapeseed yellow RAL 1021	M12	35	59,1	43	82,8	87,8	109,9	127,4	15,6	20
K1597.51216X30	rapeseed yellow RAL 1021	M12	35	59,1	43	82,8	87,8	109,9	127,4	15,6	30
K1597.51216X40	rapeseed yellow RAL 1021	M12	35	59,1	43	82,8	87,8	109,9	127,4	15,6	40
K1597.51216X50	rapeseed yellow RAL 1021	M12	35	59,1	43	82,8	87,8	109,9	127,4	15,6	50
K1597.20886X10	green RAL 6032	M8	25	38,5	27,5	51,6	55,6	65	77,5	9,4	10
K1597.20886X20	green RAL 6032	M8	25	38,5	27,5	51,6	55,6	65	77,5	9,4	20
K1597.20886X30	green RAL 6032	M8	25	38,5	27,5	51,6	55,6	65	77,5	9,4	30
K1597.20886X40	green RAL 6032	M8	25	38,5	27,5	51,6	55,6	65	77,5	9,4	40
K1597.31086X15	green RAL 6032	M10	30	47	34	63,4	67,9	80	95	11,1	15
K1597.31086X30	green RAL 6032	M10	30	47	34	63,4	67,9	80	95	11,1	30
K1597.31086X40	green RAL 6032	M10	30	47	34	63,4	67,9	80	95	11,1	40
K1597.31086X50	green RAL 6032	M10	30	47	34	63,4	67,9	80	95	11,1	50
K1597.41086X20	green RAL 6032	M10	30	53,1	36	71,1	76,1	95,4	110,4	13,2	20
K1597.41086X30	green RAL 6032	M10	30	53,1	36	71,1	76,1	95,4	110,4	13,2	30
K1597.41086X40	green RAL 6032	M10	30	53,1	36	71,1	76,1	95,4	110,4	13,2	40
K1597.41086X50	green RAL 6032	M10	30	53,1	36	71,1	76,1	95,4	110,4	13,2	50
K1597.51286X20	green RAL 6032	M12	35	59,1	43	82,8	87,8	109,9	127,4	15,6	20
K1597.51286X30	green RAL 6032	M12	35	59,1	43	82,8	87,8	109,9	127,4	15,6	30
K1597.51286X40	green RAL 6032	M12	35	59,1	43	82,8	87,8	109,9	127,4	15,6	40
K1597.51286X50	green RAL 6032	M12	35	59,1	43	82,8	87,8	109,9	127,4	15,6	50
K1597.20887X10	traffic blue RAL 5017	M8	25	38,5	27,5	51,6	55,6	65	77,5	9,4	10
K1597.20887X20	traffic blue RAL 5017	M8	25	38,5	27,5	51,6	55,6	65	77,5	9,4	20
K1597.20887X30	traffic blue RAL 5017	M8	25	38,5	27,5	51,6	55,6	65	77,5	9,4	30
K1597.20887X40	traffic blue RAL 5017	M8	25	38,5	27,5	51,6	55,6	65	77,5	9,4	40
K1597.31087X15	traffic blue RAL 5017	M10	30	47	34	63,4	67,9	80	95	11,1	15
K1597.31087X30	traffic blue RAL 5017	M10	30	47	34	63,4	67,9	80	95	11,1	30
K1597.31087X40	traffic blue RAL 5017	M10	30	47	34	63,4	67,9	80	95	11,1	40
K1597.31087X50	traffic blue RAL 5017	M10	30	47	34	63,4	67,9	80	95	11,1	50
K1597.41087X20	traffic blue RAL 5017	M10	30	53,1	36	71,1	76,1	95,4	110,4	13,2	20
K1597.41087X30	traffic blue RAL 5017	M10	30	53,1	36	71,1	76,1	95,4	110,4	13,2	30
K1597.41087X40	traffic blue RAL 5017	M10	30	53,1	36	71,1	76,1	95,4	110,4	13,2	40
K1597.41087X50	traffic blue RAL 5017	M10	30	53,1	36	71,1	76,1	95,4	110,4	13,2	50
K1597.51287X20	traffic blue RAL 5017	M12	35	59,1	43	82,8	87,8	109,9	127,4	15,6	20
K1597.51287X30	traffic blue RAL 5017	M12	35	59,1	43	82,8	87,8	109,9	127,4	15,6	30
K1597.51287X40	traffic blue RAL 5017	M12	35	59,1	43	82,8	87,8	109,9	127,4	15,6	40
K1597.51287X50	traffic blue RAL 5017	M12	35	59,1	43	82,8	87,8	109,9	127,4	15,6	50
K1597.20884X10	red RAL 3020	M8	25	38,5	27,5	51,6	55,6	65	77,5	9,4	10
K1597.20884X20	red RAL 3020	M8	25	38,5	27,5	51,6	55,6	65	77,5	9,4	20
K1597.20884X30	red RAL 3020	M8	25	38,5	27,5	51,6	55,6	65	77,5	9,4	30
K1597.20884X40	red RAL 3020	M8	25	38,5	27,5	51,6	55,6	65	77,5	9,4	40
K1597.31084X15	red RAL 3020	M10	30	47	34	63,4	67,9	80	95	11,1	15
K1597.31084X30	red RAL 3020	M10	30	47	34	63,4	67,9	80	95	11,1	30
K1597.31084X40	red RAL 3020	M10	30	47	34	63,4	67,9	80	95	11,1	40
K1597.31084X50	red RAL 3020	M10	30	47	34	63,4	67,9	80	95	11,1	50
K1597.41084X20	red RAL 3020	M10	30	53,1	36	71,1	76,1	95,4	110,4	13,2	20
K1597.41084X30	red RAL 3020	M10	30	53,1	36	71,1	76,1	95,4	110,4	13,2	30
K1597.41084X40	red RAL 3020	M10	30	53,1	36	71,1	76,1	95,4	110,4	13,2	40
K1597.41084X50	red RAL 3020	M10	30	53,1	36	71,1	76,1	95,4	110,4	13,2	50
K1597.51284X20	red RAL 3020	M12	35	59,1	43	82,8	87,8	109,9	127,4	15,6	20
K1597.51284X30	red RAL 3020	M12	35	59,1	43	82,8	87,8	109,9	127,4	15,6	30
K1597.51284X40	red RAL 3020	M12	35	59,1	43	82,8	87,8	109,9	127,4	15,6	40
K1597.51284X50	red RAL 3020	M12	35	59,1	43	82,8	87,8	109,9	127,4	15,6	50
K1597.20888X10	light gray RAL 7035	M8	25	38,5	27,5	51,6	55,6	65	77,5	9,4	10
K1597.20888X20	light gray RAL 7035	M8	25	38,5	27,5	51,6	55,6	65	77,5	9,4	20
K1597.20888X30	light gray RAL 7035	M8	25	38,5	27,5	51,6	55,6	65	77,5	9,4	30
K1597.20888X40	light gray RAL 7035	M8	25	38,5	27,5	51,6	55,6	65	77,5	9,4	40
K1597.31088X15	light gray RAL 7035	M10	30	47	34	63,4	67,9	80	95	11,1	15
K1597.31088X30	light gray RAL 7035	M10	30	47	34	63,4	67,9	80	95	11,1	30

Plastic clamping lever with male thread and clamping force intensifier

Order No.	Main color	X	D2	H	H2	H3	H4	A	A1	B	L
K1597.31088X40	light gray RAL 7035	M10	30	47	34	63,4	67,9	80	95	11,1	40
K1597.31088X50	light gray RAL 7035	M10	30	47	34	63,4	67,9	80	95	11,1	50
K1597.41088X20	light gray RAL 7035	M10	30	53,1	36	71,1	76,1	95,4	110,4	13,2	20
K1597.41088X30	light gray RAL 7035	M10	30	53,1	36	71,1	76,1	95,4	110,4	13,2	30
K1597.41088X40	light gray RAL 7035	M10	30	53,1	36	71,1	76,1	95,4	110,4	13,2	40
K1597.41088X50	light gray RAL 7035	M10	30	53,1	36	71,1	76,1	95,4	110,4	13,2	50
K1597.51288X20	light gray RAL 7035	M12	35	59,1	43	82,8	87,8	109,9	127,4	15,6	20
K1597.51288X30	light gray RAL 7035	M12	35	59,1	43	82,8	87,8	109,9	127,4	15,6	30
K1597.51288X40	light gray RAL 7035	M12	35	59,1	43	82,8	87,8	109,9	127,4	15,6	40
K1597.51288X50	light gray RAL 7035	M12	35	59,1	43	82,8	87,8	109,9	127,4	15,6	50

Plastic clamping lever with female thread and clamping force intensifier

Item description/product images



Description

Product description:

By using clamping levers with integrated clamping force intensifier, the clamping force can be increased by up to 75% compared to standard clamping levers.

Furthermore, this product can also be used by persons with limited hand strength (e.g. in rehabilitation) to achieve comparable clamping forces with less effort. Less effort is also needed to loosen the clamping lever.

The increase in clamping force is achieved by the integral needle roller thrust bearing, which generates very low surface friction on a rigid contact surface during clamping. The hardened thrust washers are designed for high clamping forces and the bearing with its high load rating guarantees a long service life.

The clamped component is permanently protected by the large, stationary contact surface. A washer is no longer required.

Material:

Handle fiberglass reinforced plastic with die-cast zinc toothed ring.
Steel parts grade 5.8.

Version:

Steel parts black oxidised.
Axial needle bearing with hardened and ground thrust washer.

Type of operation:

The handle lever is engaged in the toothed insert by means of a toothed ring when not actuated, enabling the thread to be tightened or loosened. By lifting the handle, it can be repositioned and re-engaged in the toothed ring by spring force.

Application:

Machine, equipment and plant construction, rehabilitation sector.

Benefits:

Significant increase of the clamping force with the same tightening torque.
High quality axial needle bearing with high load rating and long service life.
The component surface is protected by the stationary lower ring.

On request:

Other colors.

Plastic clamping lever with female thread and clamping force intensifier

Item description/product images



Plastic clamping lever with female thread and clamping force intensifier

Item description/product images



Plastic clamping lever with female thread and clamping force intensifier

Item description/product images

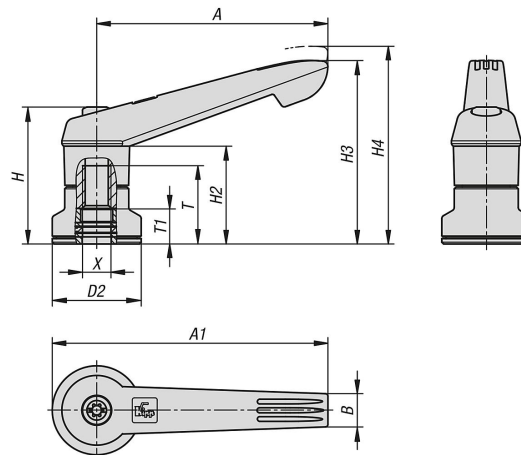


lift to
disengage



Plastic clamping lever with female thread and clamping force intensifier

Drawings



Clamping levers, plastic with female thread and clamping force intensifier

Order No.	Main color	X	D2	H	H2	H3	H4	A	A1	B	T	T1
K1597.2081	black gray RAL 7021	M8	25	38,5	27,5	51,6	55,6	65	77,5	9,4	22	10
K1597.3101	black gray RAL 7021	M10	30	47	34	63,4	67,9	80	95	11,1	24	10
K1597.4101	black gray RAL 7021	M10	30	53,1	36	71,1	76,1	95,4	110,4	13,2	27	10
K1597.5121	black gray RAL 7021	M12	35	59,1	43	82,8	87,8	109,9	127,4	15,6	33	10
K1597.2082	orange RAL 2004	M8	25	38,5	27,5	51,6	55,6	65	77,5	9,4	22	10
K1597.3102	orange RAL 2004	M10	30	47	34	63,4	67,9	80	95	11,1	24	10
K1597.4102	orange RAL 2004	M10	30	53,1	36	71,1	76,1	95,4	110,4	13,2	27	10
K1597.5122	orange RAL 2004	M12	35	59,1	43	82,8	87,8	109,9	127,4	15,6	33	10
K1597.20816	rapeseed yellow RAL 1021	M8	25	38,5	27,5	51,6	55,6	65	77,5	9,4	22	10
K1597.31016	rapeseed yellow RAL 1021	M10	30	47	34	63,4	67,9	80	95	11,1	24	10
K1597.41016	rapeseed yellow RAL 1021	M10	30	53,1	36	71,1	76,1	95,4	110,4	13,2	27	10
K1597.51216	rapeseed yellow RAL 1021	M12	35	59,1	43	82,8	87,8	109,9	127,4	15,6	33	10
K1597.20886	green RAL 6032	M8	25	38,5	27,5	51,6	55,6	65	77,5	9,4	22	10
K1597.31086	green RAL 6032	M10	30	47	34	63,4	67,9	80	95	11,1	24	10
K1597.41086	green RAL 6032	M10	30	53,1	36	71,1	76,1	95,4	110,4	13,2	27	10
K1597.51286	green RAL 6032	M12	35	59,1	43	82,8	87,8	109,9	127,4	15,6	33	10
K1597.20887	traffic blue RAL 5017	M8	25	38,5	27,5	51,6	55,6	65	77,5	9,4	22	10
K1597.31087	traffic blue RAL 5017	M10	30	47	34	63,4	67,9	80	95	11,1	24	10
K1597.41087	traffic blue RAL 5017	M10	30	53,1	36	71,1	76,1	95,4	110,4	13,2	27	10
K1597.51287	traffic blue RAL 5017	M12	35	59,1	43	82,8	87,8	109,9	127,4	15,6	33	10
K1597.20884	red RAL 3020	M8	25	38,5	27,5	51,6	55,6	65	77,5	9,4	22	10
K1597.31084	red RAL 3020	M10	30	47	34	63,4	67,9	80	95	11,1	24	10
K1597.41084	red RAL 3020	M10	30	53,1	36	71,1	76,1	95,4	110,4	13,2	27	10
K1597.51284	red RAL 3020	M12	35	59,1	43	82,8	87,8	109,9	127,4	15,6	33	10
K1597.20888	light gray RAL 7035	M8	25	38,5	27,5	51,6	55,6	65	77,5	9,4	22	10
K1597.31088	light gray RAL 7035	M10	30	47	34	63,4	67,9	80	95	11,1	24	10
K1597.41088	light gray RAL 7035	M10	30	53,1	36	71,1	76,1	95,4	110,4	13,2	27	10
K1597.51288	light gray RAL 7035	M12	35	59,1	43	82,8	87,8	109,9	127,4	15,6	33	10

Plastic clamping lever with male thread and clamping force intensifier

Item description/product images



Description

Material:

Handle fiberglass reinforced plastic with die-cast zinc toothed ring.
Steel parts stainless steel 1.4305 (AISI 303 equivalent).

Note:

Δ Add the desired grip color here.

Type of operation:

The handle lever is engaged in the toothed insert by means of a toothed ring when not actuated, enabling the thread to be tightened or loosened. By lifting the handle, it can be repositioned and re-engaged in the toothed ring by spring force.

Application:

Machine, equipment and plant construction, rehabilitation sector.

Benefits:

Significant increase of the clamping force with the same tightening torque.
High quality axial needle bearing with high load rating and long service life.
The component surface is protected by the stationary lower ring.

On request:

Special versions.
Other colours and thread lengths.

Drawing reference:

1) flat point DIN EN ISO 4753

Plastic clamping lever with male thread and clamping force intensifier

Item description/product images



Plastic clamping lever with male thread and clamping force intensifier

Item description/product images



Plastic clamping lever with male thread and clamping force intensifier

Item description/product images

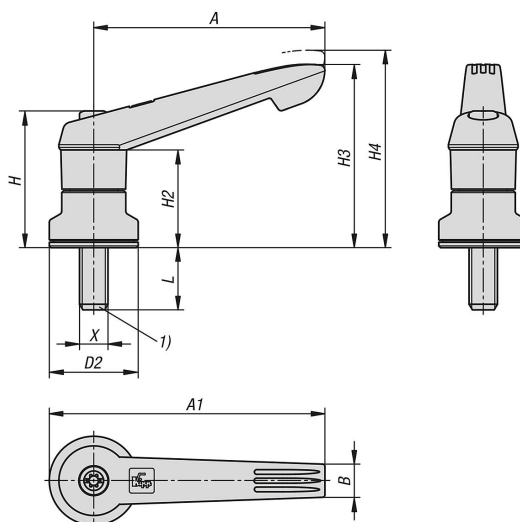


lift to
disengage



Plastic clamping lever with male thread and clamping force intensifier

Drawings



Order No.	Main color	X	D2	H	H2	H3	H4	A	A1	B	L
K1598.2081X10	black gray RAL 7021	M8	25	38,5	27,5	51,6	55,6	65	77,5	9,4	10
K1598.2081X20	black gray RAL 7021	M8	25	38,5	27,5	51,6	55,6	65	77,5	9,4	20
K1598.2081X30	black gray RAL 7021	M8	25	38,5	27,5	51,6	55,6	65	77,5	9,4	30
K1598.2081X40	black gray RAL 7021	M8	25	38,5	27,5	51,6	55,6	65	77,5	9,4	40
K1598.3101X15	black gray RAL 7021	M10	30	47	34	63,4	67,9	80	95	11,1	15
K1598.3101X30	black gray RAL 7021	M10	30	47	34	63,4	67,9	80	95	11,1	30
K1598.3101X40	black gray RAL 7021	M10	30	47	34	63,4	67,9	80	95	11,1	40
K1598.3101X50	black gray RAL 7021	M10	30	47	34	63,4	67,9	80	95	11,1	50
K1598.4101X20	black gray RAL 7021	M10	30	53,1	36	71,1	76,1	95,4	110,4	13,2	20
K1598.4101X30	black gray RAL 7021	M10	30	53,1	36	71,1	76,1	95,4	110,4	13,2	30
K1598.4101X40	black gray RAL 7021	M10	30	53,1	36	71,1	76,1	95,4	110,4	13,2	40
K1598.4101X50	black gray RAL 7021	M10	30	53,1	36	71,1	76,1	95,4	110,4	13,2	50
K1598.5121X20	black gray RAL 7021	M12	35	59,1	43	82,8	87,8	109,9	127,4	15,6	20
K1598.5121X30	black gray RAL 7021	M12	35	59,1	43	82,8	87,8	109,9	127,4	15,6	30
K1598.5121X40	black gray RAL 7021	M12	35	59,1	43	82,8	87,8	109,9	127,4	15,6	40
K1598.5121X50	black gray RAL 7021	M12	35	59,1	43	82,8	87,8	109,9	127,4	15,6	50
K1598.2082X10	orange RAL 2004	M8	25	38,5	27,5	51,6	55,6	65	77,5	9,4	10
K1598.2082X20	orange RAL 2004	M8	25	38,5	27,5	51,6	55,6	65	77,5	9,4	20
K1598.2082X30	orange RAL 2004	M8	25	38,5	27,5	51,6	55,6	65	77,5	9,4	30
K1598.2082X40	orange RAL 2004	M8	25	38,5	27,5	51,6	55,6	65	77,5	9,4	40
K1598.3102X15	orange RAL 2004	M10	30	47	34	63,4	67,9	80	95	11,1	15
K1598.3102X30	orange RAL 2004	M10	30	47	34	63,4	67,9	80	95	11,1	30
K1598.3102X40	orange RAL 2004	M10	30	47	34	63,4	67,9	80	95	11,1	40
K1598.3102X50	orange RAL 2004	M10	30	47	34	63,4	67,9	80	95	11,1	50
K1598.4102X20	orange RAL 2004	M10	30	53,1	36	71,1	76,1	95,4	110,4	13,2	20
K1598.4102X30	orange RAL 2004	M10	30	53,1	36	71,1	76,1	95,4	110,4	13,2	30
K1598.4102X40	orange RAL 2004	M10	30	53,1	36	71,1	76,1	95,4	110,4	13,2	40
K1598.4102X50	orange RAL 2004	M10	30	53,1	36	71,1	76,1	95,4	110,4	13,2	50
K1598.5122X20	orange RAL 2004	M12	35	59,1	43	82,8	87,8	109,9	127,4	15,6	20
K1598.5122X30	orange RAL 2004	M12	35	59,1	43	82,8	87,8	109,9	127,4	15,6	30
K1598.5122X40	orange RAL 2004	M12	35	59,1	43	82,8	87,8	109,9	127,4	15,6	40
K1598.5122X50	orange RAL 2004	M12	35	59,1	43	82,8	87,8	109,9	127,4	15,6	50
K1598.20816X10	rapeseed yellow RAL 1021	M8	25	38,5	27,5	51,6	55,6	65	77,5	9,4	10
K1598.20816X20	rapeseed yellow RAL 1021	M8	25	38,5	27,5	51,6	55,6	65	77,5	9,4	20
K1598.20816X30	rapeseed yellow RAL 1021	M8	25	38,5	27,5	51,6	55,6	65	77,5	9,4	30
K1598.20816X40	rapeseed yellow RAL 1021	M8	25	38,5	27,5	51,6	55,6	65	77,5	9,4	40
K1598.31016X15	rapeseed yellow RAL 1021	M10	30	47	34	63,4	67,9	80	95	11,1	15
K1598.31016X30	rapeseed yellow RAL 1021	M10	30	47	34	63,4	67,9	80	95	11,1	30
K1598.31016X40	rapeseed yellow RAL 1021	M10	30	47	34	63,4	67,9	80	95	11,1	40

Plastic clamping lever with male thread and clamping force intensifier

Order No.	Main color	X	D2	H	H2	H3	H4	A	A1	B	L
K1598.31016X50	rapeseed yellow RAL 1021	M10	30	47	34	63,4	67,9	80	95	11,1	50
K1598.41016X20	rapeseed yellow RAL 1021	M10	30	53,1	36	71,1	76,1	95,4	110,4	13,2	20
K1598.41016X30	rapeseed yellow RAL 1021	M10	30	53,1	36	71,1	76,1	95,4	110,4	13,2	30
K1598.41016X40	rapeseed yellow RAL 1021	M10	30	53,1	36	71,1	76,1	95,4	110,4	13,2	40
K1598.41016X50	rapeseed yellow RAL 1021	M10	30	53,1	36	71,1	76,1	95,4	110,4	13,2	50
K1598.51216X20	rapeseed yellow RAL 1021	M12	35	59,1	43	82,8	87,8	109,9	127,4	15,6	20
K1598.51216X30	rapeseed yellow RAL 1021	M12	35	59,1	43	82,8	87,8	109,9	127,4	15,6	30
K1598.51216X40	rapeseed yellow RAL 1021	M12	35	59,1	43	82,8	87,8	109,9	127,4	15,6	40
K1598.51216X50	rapeseed yellow RAL 1021	M12	35	59,1	43	82,8	87,8	109,9	127,4	15,6	50
K1598.20886X10	green RAL 6032	M8	25	38,5	27,5	51,6	55,6	65	77,5	9,4	10
K1598.20886X20	green RAL 6032	M8	25	38,5	27,5	51,6	55,6	65	77,5	9,4	20
K1598.20886X30	green RAL 6032	M8	25	38,5	27,5	51,6	55,6	65	77,5	9,4	30
K1598.20886X40	green RAL 6032	M8	25	38,5	27,5	51,6	55,6	65	77,5	9,4	40
K1598.31086X15	green RAL 6032	M10	30	47	34	63,4	67,9	80	95	11,1	15
K1598.31086X30	green RAL 6032	M10	30	47	34	63,4	67,9	80	95	11,1	30
K1598.31086X40	green RAL 6032	M10	30	47	34	63,4	67,9	80	95	11,1	40
K1598.31086X50	green RAL 6032	M10	30	47	34	63,4	67,9	80	95	11,1	50
K1598.41086X20	green RAL 6032	M10	30	53,1	36	71,1	76,1	95,4	110,4	13,2	20
K1598.41086X30	green RAL 6032	M10	30	53,1	36	71,1	76,1	95,4	110,4	13,2	30
K1598.41086X40	green RAL 6032	M10	30	53,1	36	71,1	76,1	95,4	110,4	13,2	40
K1598.41086X50	green RAL 6032	M10	30	53,1	36	71,1	76,1	95,4	110,4	13,2	50
K1598.51286X20	green RAL 6032	M12	35	59,1	43	82,8	87,8	109,9	127,4	15,6	20
K1598.51286X30	green RAL 6032	M12	35	59,1	43	82,8	87,8	109,9	127,4	15,6	30
K1598.51286X40	green RAL 6032	M12	35	59,1	43	82,8	87,8	109,9	127,4	15,6	40
K1598.51286X50	green RAL 6032	M12	35	59,1	43	82,8	87,8	109,9	127,4	15,6	50
K1598.20887X10	traffic blue RAL 5017	M8	25	38,5	27,5	51,6	55,6	65	77,5	9,4	10
K1598.20887X20	traffic blue RAL 5017	M8	25	38,5	27,5	51,6	55,6	65	77,5	9,4	20
K1598.20887X30	traffic blue RAL 5017	M8	25	38,5	27,5	51,6	55,6	65	77,5	9,4	30
K1598.20887X40	traffic blue RAL 5017	M8	25	38,5	27,5	51,6	55,6	65	77,5	9,4	40
K1598.31087X15	traffic blue RAL 5017	M10	30	47	34	63,4	67,9	80	95	11,1	15
K1598.31087X30	traffic blue RAL 5017	M10	30	47	34	63,4	67,9	80	95	11,1	30
K1598.31087X40	traffic blue RAL 5017	M10	30	47	34	63,4	67,9	80	95	11,1	40
K1598.31087X50	traffic blue RAL 5017	M10	30	47	34	63,4	67,9	80	95	11,1	50
K1598.41087X20	traffic blue RAL 5017	M10	30	53,1	36	71,1	76,1	95,4	110,4	13,2	20
K1598.41087X30	traffic blue RAL 5017	M10	30	53,1	36	71,1	76,1	95,4	110,4	13,2	30
K1598.41087X40	traffic blue RAL 5017	M10	30	53,1	36	71,1	76,1	95,4	110,4	13,2	40
K1598.41087X50	traffic blue RAL 5017	M10	30	53,1	36	71,1	76,1	95,4	110,4	13,2	50
K1598.51287X20	traffic blue RAL 5017	M12	35	59,1	43	82,8	87,8	109,9	127,4	15,6	20
K1598.51287X30	traffic blue RAL 5017	M12	35	59,1	43	82,8	87,8	109,9	127,4	15,6	30
K1598.51287X40	traffic blue RAL 5017	M12	35	59,1	43	82,8	87,8	109,9	127,4	15,6	40
K1598.51287X50	traffic blue RAL 5017	M12	35	59,1	43	82,8	87,8	109,9	127,4	15,6	50
K1598.20884X10	red RAL 3020	M8	25	38,5	27,5	51,6	55,6	65	77,5	9,4	10
K1598.20884X20	red RAL 3020	M8	25	38,5	27,5	51,6	55,6	65	77,5	9,4	20
K1598.20884X30	red RAL 3020	M8	25	38,5	27,5	51,6	55,6	65	77,5	9,4	30
K1598.20884X40	red RAL 3020	M8	25	38,5	27,5	51,6	55,6	65	77,5	9,4	40
K1598.31084X15	red RAL 3020	M10	30	47	34	63,4	67,9	80	95	11,1	15
K1598.31084X30	red RAL 3020	M10	30	47	34	63,4	67,9	80	95	11,1	30
K1598.31084X40	red RAL 3020	M10	30	47	34	63,4	67,9	80	95	11,1	40
K1598.31084X50	red RAL 3020	M10	30	47	34	63,4	67,9	80	95	11,1	50
K1598.41084X20	red RAL 3020	M10	30	53,1	36	71,1	76,1	95,4	110,4	13,2	20
K1598.41084X30	red RAL 3020	M10	30	53,1	36	71,1	76,1	95,4	110,4	13,2	30
K1598.41084X40	red RAL 3020	M10	30	53,1	36	71,1	76,1	95,4	110,4	13,2	40
K1598.41084X50	red RAL 3020	M10	30	53,1	36	71,1	76,1	95,4	110,4	13,2	50
K1598.51284X20	red RAL 3020	M12	35	59,1	43	82,8	87,8	109,9	127,4	15,6	20
K1598.51284X30	red RAL 3020	M12	35	59,1	43	82,8	87,8	109,9	127,4	15,6	30
K1598.51284X40	red RAL 3020	M12	35	59,1	43	82,8	87,8	109,9	127,4	15,6	40
K1598.51284X50	red RAL 3020	M12	35	59,1	43	82,8	87,8	109,9	127,4	15,6	50
K1598.20888X10	light gray RAL 7035	M8	25	38,5	27,5	51,6	55,6	65	77,5	9,4	10
K1598.20888X20	light gray RAL 7035	M8	25	38,5	27,5	51,6	55,6	65	77,5	9,4	20
K1598.20888X30	light gray RAL 7035	M8	25	38,5	27,5	51,6	55,6	65	77,5	9,4	30
K1598.20888X40	light gray RAL 7035	M8	25	38,5	27,5	51,6	55,6	65	77,5	9,4	40
K1598.31088X15	light gray RAL 7035	M10	30	47	34	63,4	67,9	80	95	11,1	15
K1598.31088X30	light gray RAL 7035	M10	30	47	34	63,4	67,9	80	95	11,1	30

Plastic clamping lever with male thread and clamping force intensifier

Order No.	Main color	X	D2	H	H2	H3	H4	A	A1	B	L
K1598.31088X40	light gray RAL 7035	M10	30	47	34	63,4	67,9	80	95	11,1	40
K1598.31088X50	light gray RAL 7035	M10	30	47	34	63,4	67,9	80	95	11,1	50
K1598.41088X20	light gray RAL 7035	M10	30	53,1	36	71,1	76,1	95,4	110,4	13,2	20
K1598.41088X30	light gray RAL 7035	M10	30	53,1	36	71,1	76,1	95,4	110,4	13,2	30
K1598.41088X40	light gray RAL 7035	M10	30	53,1	36	71,1	76,1	95,4	110,4	13,2	40
K1598.41088X50	light gray RAL 7035	M10	30	53,1	36	71,1	76,1	95,4	110,4	13,2	50
K1598.51288X20	light gray RAL 7035	M12	35	59,1	43	82,8	87,8	109,9	127,4	15,6	20
K1598.51288X30	light gray RAL 7035	M12	35	59,1	43	82,8	87,8	109,9	127,4	15,6	30
K1598.51288X40	light gray RAL 7035	M12	35	59,1	43	82,8	87,8	109,9	127,4	15,6	40
K1598.51288X50	light gray RAL 7035	M12	35	59,1	43	82,8	87,8	109,9	127,4	15,6	50

Plastic clamping lever with female thread and clamping force intensifier

Item description/product images



Description

Product description:

By using clamping levers with integrated clamping force intensifier, the clamping force can be increased by up to 75% compared to standard clamping levers.

Furthermore, this product can also be used by persons with limited hand strength (e.g. in rehabilitation) to achieve comparable clamping forces with less effort. Less effort is also needed to loosen the clamping lever.

The increase in clamping force is achieved by the integral needle roller thrust bearing, which generates very low surface friction on a rigid contact surface during clamping. The hardened thrust washers are designed for high clamping forces and the bearing with its high load rating guarantees a long service life.

The clamped component is permanently protected by the large, stationary contact surface. A washer is no longer required.

Material:

Handle fiberglass reinforced plastic with die-cast zinc toothed ring.
Steel parts stainless steel 1.4305 (AISI 303 equivalent).

Type of operation:

The handle lever is engaged in the toothed insert by means of a toothed ring when not actuated, enabling the thread to be tightened or loosened. By lifting the handle, it can be repositioned and re-engaged in the toothed ring by spring force.

Application:

Machine, equipment and plant construction, rehabilitation sector.

Benefits:

Significant increase of the clamping force with the same tightening torque.
High quality axial needle bearing with high load rating and long service life.
The component surface is protected by the stationary lower ring.

On request:

Other colors.

Plastic clamping lever with female thread and clamping force intensifier

Item description/product images



Plastic clamping lever with female thread and clamping force intensifier

Item description/product images



Plastic clamping lever with female thread and clamping force intensifier

Item description/product images

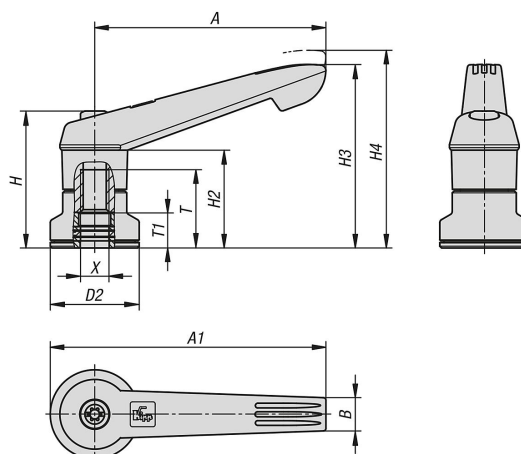


lift to
disengage



Plastic clamping lever with female thread and clamping force intensifier

Drawings



Clamping levers, plastic with female thread and clamping force intensifier

Order No.	Main color	X	D2	H	H2	H3	H4	A	A1	B	T	T1
K1598.2081	black gray RAL 7021	M8	25	38,5	27,5	51,6	55,6	65	77,5	9,4	22	10
K1598.3101	black gray RAL 7021	M10	30	47	34	63,4	67,9	80	95	11,1	24	10
K1598.4101	black gray RAL 7021	M10	30	53,1	36	71,1	76,1	95,4	110,4	13,2	27	10
K1598.5121	black gray RAL 7021	M12	35	59,1	43	82,8	87,8	109,9	127,4	15,6	33	10
K1598.2082	orange RAL 2004	M8	25	38,5	27,5	51,6	55,6	65	77,5	9,4	22	10
K1598.3102	orange RAL 2004	M10	30	47	34	63,4	67,9	80	95	11,1	24	10
K1598.4102	orange RAL 2004	M10	30	53,1	36	71,1	76,1	95,4	110,4	13,2	27	10
K1598.5122	orange RAL 2004	M12	35	59,1	43	82,8	87,8	109,9	127,4	15,6	33	10
K1598.20816	rapeseed yellow RAL 1021	M8	25	38,5	27,5	51,6	55,6	65	77,5	9,4	22	10
K1598.31016	rapeseed yellow RAL 1021	M10	30	47	34	63,4	67,9	80	95	11,1	24	10
K1598.41016	rapeseed yellow RAL 1021	M10	30	53,1	36	71,1	76,1	95,4	110,4	13,2	27	10
K1598.51216	rapeseed yellow RAL 1021	M12	35	59,1	43	82,8	87,8	109,9	127,4	15,6	33	10
K1598.20886	green RAL 6032	M8	25	38,5	27,5	51,6	55,6	65	77,5	9,4	22	10
K1598.31086	green RAL 6032	M10	30	47	34	63,4	67,9	80	95	11,1	24	10
K1598.41086	green RAL 6032	M10	30	53,1	36	71,1	76,1	95,4	110,4	13,2	27	10
K1598.51286	green RAL 6032	M12	35	59,1	43	82,8	87,8	109,9	127,4	15,6	33	10
K1598.20887	traffic blue RAL 5017	M8	25	38,5	27,5	51,6	55,6	65	77,5	9,4	22	10
K1598.31087	traffic blue RAL 5017	M10	30	47	34	63,4	67,9	80	95	11,1	24	10
K1598.41087	traffic blue RAL 5017	M10	30	53,1	36	71,1	76,1	95,4	110,4	13,2	27	10
K1598.51287	traffic blue RAL 5017	M12	35	59,1	43	82,8	87,8	109,9	127,4	15,6	33	10
K1598.20884	red RAL 3020	M8	25	38,5	27,5	51,6	55,6	65	77,5	9,4	22	10
K1598.31084	red RAL 3020	M10	30	47	34	63,4	67,9	80	95	11,1	24	10
K1598.41084	red RAL 3020	M10	30	53,1	36	71,1	76,1	95,4	110,4	13,2	27	10
K1598.51284	red RAL 3020	M12	35	59,1	43	82,8	87,8	109,9	127,4	15,6	33	10
K1598.20888	light gray RAL 7035	M8	25	38,5	27,5	51,6	55,6	65	77,5	9,4	22	10
K1598.31088	light gray RAL 7035	M10	30	47	34	63,4	67,9	80	95	11,1	24	10
K1598.41088	light gray RAL 7035	M10	30	53,1	36	71,1	76,1	95,4	110,4	13,2	27	10
K1598.51288	light gray RAL 7035	M12	35	59,1	43	82,8	87,8	109,9	127,4	15,6	33	10

Plastic star grip, Form L, with clamping force intensifier and male thread

Item description/product images

METRIC
Parts



Description

Product description:

Star grips with integrated clamping force intensifier can achieve double the clamping force compared to standard star grips.

Furthermore, this product can also be used by persons with limited hand strength (e.g. in rehabilitation) to achieve comparable clamping forces with less effort. Less effort is also needed to loosen the star grip.

The increase in clamping force is achieved by the integral needle roller thrust bearing, which generates very low surface friction on a rigid contact surface during clamping. The hardened thrust washers are designed for high clamping forces and the bearing with its high load rating guarantees a long service life.

The clamped component is permanently protected by the large, stationary contact surface. A washer is no longer required.

Due to the modular construction many special designs are available.

Material:

Black thermoplastic.

Steel grade 5.8 or stainless steel 1.4305 (AISI 303 equivalent).

Version:

Metal parts trivalent blue passivated steel or bright stainless steel.

Axial needle bearing with hardened and ground thrust washer.

Application:

Machine, equipment and plant construction, rehabilitation sector.

Benefits:

Significant increase of the clamping force with the same tightening torque.

High quality axial needle bearing with high load rating and long service life.

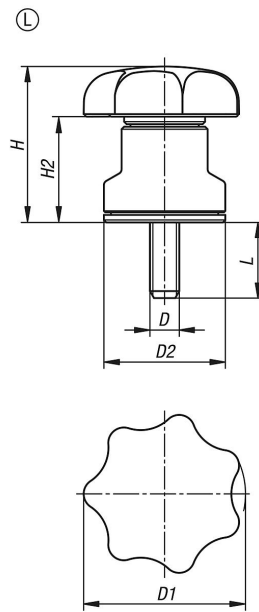
The component surface is protected by the stationary lower ring.

On request:

Other thread lengths.

Plastic star grip, Form L, with clamping force intensifier and male thread

Drawings



Order No.	style	Component material	D	D1	D2	H	H2	L
K1596.406X10	L	steel	M6	32	24	31	21	10
K1596.406X20	L	steel	M6	32	24	31	21	20
K1596.408X15	L	steel	M8	40	25	35	23	15
K1596.408X30	L	steel	M8	40	25	35	23	30
K1596.410X20	L	steel	M10	50	30	42	27	20
K1596.410X30	L	steel	M10	50	30	42	27	30
K1596.412X20	L	steel	M12	63	35	47	28	20
K1596.412X30	L	steel	M12	63	35	47	28	30
K1596.506X10	L	stainless steel	M6	32	24	31	21	10
K1596.506X20	L	stainless steel	M6	32	24	31	21	20
K1596.508X15	L	stainless steel	M8	40	25	35	23	15
K1596.508X30	L	stainless steel	M8	40	25	35	23	30
K1596.510X20	L	stainless steel	M10	50	30	42	27	20
K1596.510X30	L	stainless steel	M10	50	30	42	27	30
K1596.512X20	L	stainless steel	M12	63	35	47	28	20
K1596.512X30	L	stainless steel	M12	63	35	47	28	30

Plastic star grip, Form K, with clamping force intensifier and tapped bush

Item description/product images

METRIC
Parts



Description

Product description:

Star grips with integrated clamping force intensifier can achieve double the clamping force compared to standard star grips.

Furthermore, this product can also be used by persons with limited hand strength (e.g. in rehabilitation) to achieve comparable clamping forces with less effort. Less effort is also needed to loosen the star grip.

The increase in clamping force is achieved by the integral needle roller thrust bearing, which generates very low surface friction on a rigid contact surface during clamping. The hardened thrust washers are designed for high clamping forces and the bearing with its high load rating guarantees a long service life.

The clamped component is permanently protected by the large, stationary contact surface. A washer is no longer required.

Due to the modular construction many special designs are available.

Material:

Black thermoplastic.

Steel grade 5.8 or stainless steel 1.4305 (AISI 303 equivalent).

Version:

Metal parts trivalent blue passivated steel or bright stainless steel.

Axial needle bearing with hardened and ground thrust washer.

Application:

Machine, equipment and plant construction, rehabilitation sector.

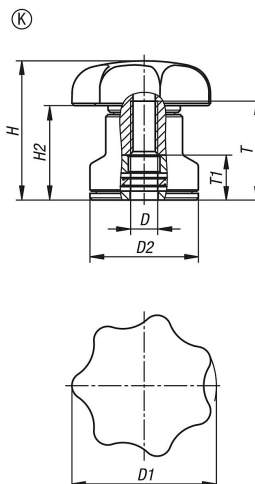
Benefits:

Significant increase of the clamping force with the same tightening torque.

High quality axial needle bearing with high load rating and long service life.

The component surface is protected by the stationary lower ring.

Drawings



Plastic star grip, Form K, with clamping force intensifier and tapped bush

Order No.	style	Component material	D	D1	D2	H	H2	T	T1
K1596.206	K	steel	M6	32	24	31	21	22	10
K1596.208	K	steel	M8	40	25	35	23	22	10
K1596.210	K	steel	M10	50	30	42	27	27	10
K1596.212	K	steel	M12	63	35	47	28	27	10
K1596.306	K	stainless steel	M6	32	24	31	21	22	10
K1596.308	K	stainless steel	M8	40	25	35	23	22	10
K1596.310	K	stainless steel	M10	50	30	42	27	27	10
K1596.312	K	stainless steel	M12	63	35	47	28	27	10

Plastic star grip, Form K, with clamping force intensifier and tapped bush

Item description/product images

METRIC
Parts



Description

Product description:

Star grips with integrated clamping force intensifier can achieve double the clamping force compared to standard star grips.

Furthermore, this product can also be used by persons with limited hand strength (e.g. in rehabilitation) to achieve comparable clamping forces with less effort. Less effort is also needed to loosen the star grip.

The increase in clamping force is achieved by the integral needle roller thrust bearing, which generates very low surface friction on a rigid contact surface during clamping. The hardened thrust washers are designed for high clamping forces and the bearing with its high load rating guarantees a long service life.

The clamped component is permanently protected by the large, stationary contact surface. A washer is no longer required.

Due to the modular construction many special designs are available.

Material:

Black thermoplastic.

Steel quality class 5.8 or stainless steel 1.4305 (AISI 303 equivalent).

Version:

Metal parts trivalent blue passivated steel or bright stainless steel.

Axial needle bearing with hardened and ground thrust washer.

Application:

Machine, equipment and plant construction, rehabilitation sector.

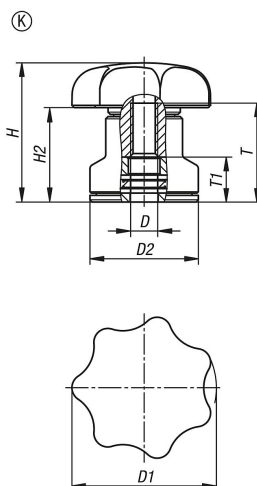
Benefits:

Significant increase of the clamping force with the same tightening torque.

High quality axial needle bearing with high load rating and long service life.

The component surface is protected by the stationary lower ring

Drawings



Plastic star grip, Form K, with clamping force intensifier and tapped bush

Item No.	Style	Component material	D	D1	D2	H	H2	T	T1
K1596.206	K	steel	M6	32	24	31	21	22	10
K1596.208	K	steel	M8	40	25	35	23	22	10
K1596.210	K	steel	M10	50	30	42	27	27	10
K1596.212	K	steel	M12	63	35	47	28	27	10
K1596.306	K	stainless steel	M6	32	24	31	21	22	10
K1596.308	K	stainless steel	M8	40	25	35	23	22	10
K1596.310	K	stainless steel	M10	50	30	42	27	27	10
K1596.312	K	stainless steel	M12	63	35	47	28	27	10

Plastic star grip with clamping force intensifier

Item description/product images

METRIC Parts



Description

Product description:

Star grips with integrated clamping force intensifier can achieve double the clamping force compared to standard star grips.

Furthermore, this product can also be used by persons with limited hand strength (e.g. in rehabilitation) to achieve comparable clamping forces with less effort. Less effort is also needed to loosen the star grip.

The increase in clamping force is achieved by the integral needle roller thrust bearing, which generates very low surface friction on a rigid contact surface during clamping. The hardened thrust washers are designed for high clamping forces and the bearing with its high load rating guarantees a long service life.

The clamped component is permanently protected by the large, stationary contact surface. A washer is no longer required.

Due to the modular construction many special designs are available.

Material:

Star grip polyamide thermoplastic, black.

Steel parts 5.8 steel or stainless steel 1.4305 (AISI 303 equivalent).

Version:

Metal parts trivalent blue passivated steel or bright stainless steel.

Axial needle bearing with hardened and ground thrust washer.

Application:

Machine, equipment and plant construction, rehabilitation sector.

Benefits:

Significant increase of the clamping force with the same tightening torque.

High quality axial needle bearing with high load rating and long service life.

The component surface is protected by the stationary lower ring.

On request:

Other thread lengths.

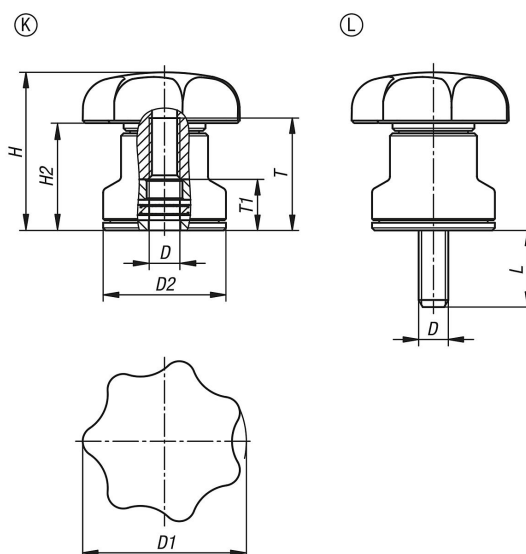
Drawing reference:

style K: tapped bushing

style L: external thread

Plastic star grip with clamping force intensifier

Drawings



Star grips, plastic with clamping force intensifier

Order No.	style	Component material	D	D1	D2	H	H2	L	T	T1
K1596.206	K	steel	M6	32	24	31	21	-	22	10
K1596.208	K	steel	M8	40	25	35	23	-	22	10
K1596.210	K	steel	M10	50	30	42	27	-	27	10
K1596.212	K	steel	M12	63	35	47	28	-	27	10
K1596.306	K	stainless steel	M6	32	24	31	21	-	22	10
K1596.308	K	stainless steel	M8	40	25	35	23	-	22	10
K1596.310	K	stainless steel	M10	50	30	42	27	-	27	10
K1596.312	K	stainless steel	M12	63	35	47	28	-	27	10
K1596.406X10	L	steel	M6	32	24	31	21	10	-	-
K1596.406X20	L	steel	M6	32	24	31	21	20	-	-
K1596.408X15	L	steel	M8	40	25	35	23	15	-	-
K1596.408X30	L	steel	M8	40	25	35	23	30	-	-
K1596.410X20	L	steel	M10	50	30	42	27	20	-	-
K1596.410X30	L	steel	M10	50	30	42	27	30	-	-
K1596.412X20	L	steel	M12	63	35	47	28	20	-	-
K1596.412X30	L	steel	M12	63	35	47	28	30	-	-
K1596.506X10	L	stainless steel	M6	32	24	31	21	10	-	-
K1596.506X20	L	stainless steel	M6	32	24	31	21	20	-	-
K1596.508X15	L	stainless steel	M8	40	25	35	23	15	-	-
K1596.508X30	L	stainless steel	M8	40	25	35	23	30	-	-
K1596.510X20	L	stainless steel	M10	50	30	42	27	20	-	-
K1596.510X30	L	stainless steel	M10	50	30	42	27	30	-	-
K1596.512X20	L	stainless steel	M12	63	35	47	28	20	-	-
K1596.512X30	L	stainless steel	M12	63	35	47	28	30	-	-