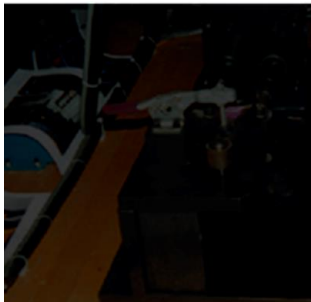
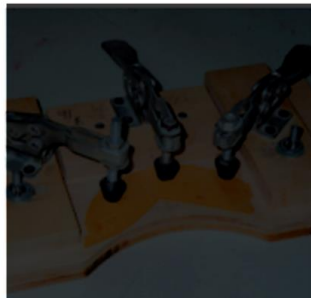
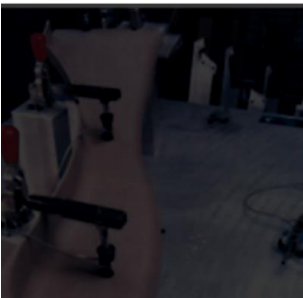
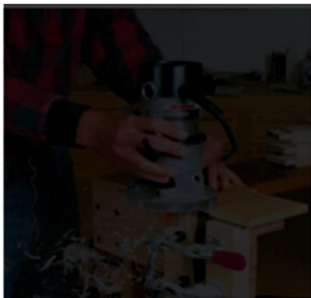
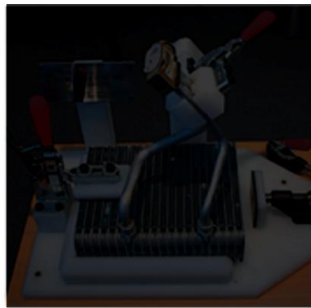
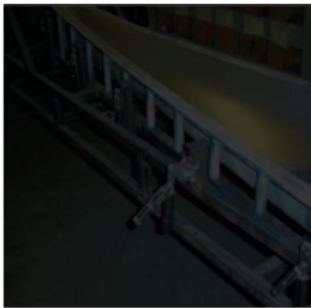
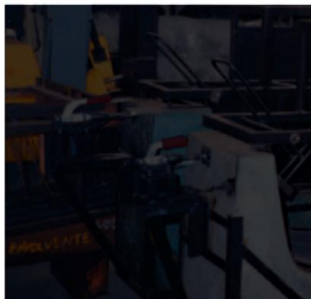
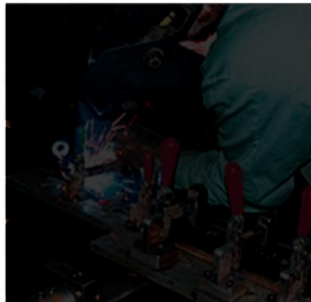


STRONG CLAMP
SECURE CLAMP



**FORTE CLAMP WAS CREATED TO
PROVIDE QUALITY PRODUCTS OF THE
MOST POPULAR CLAMPING DESIGNS
AT THE BEST PRICE IN THE MARKET.**



VERTICAL HANDLE TOGGLE CLAMPS



Series 101.....	4
Series 1205.....	5
Series 1213.....	6
Series 1226.....	7
Series 1024.....	8
Series 101J	9
Series 2082.....	10

HORIZONTAL HANDLE TOGGLE CLAMPS



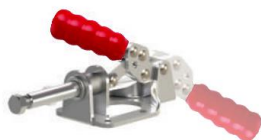
Series 201.....	11
Series 201B.....	11
Series 225D	12
Series 2023.....	12
Series 1300.....	13

LATCH TYPE TOGGLE CLAMPS



Series 431.....	14
Series 4037.....	15
Series 4032.....	16
Series 451.....	17
Series 4310.....	18

PUSH/PULL TOGGLE CLAMPS



Series 301A.....	18
Series 3620.....	19
Series 302F.....	20
Series 3600.....	20
Series 3602.....	21
Series 3601.....	21
Series 3060.....	22

Accessories	23
-------------------	----

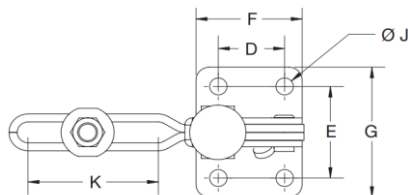
SERIES FC-101

SPECIFICATIONS

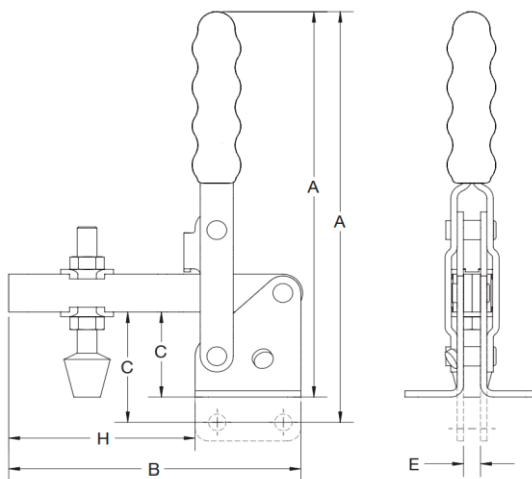
Bar Opens:	110°
Handle Opens:	61°
Spindle Supplied:	FC-19525



Straight Base
FC-101-AI



FC-101-A



Model	Holding Capacity	Weight	Description	A	B	C	D	E	F	G	H	J	K
Metric	N/lb.	Kg/lb.		mm/in.									
FC-101-A	440	0.07	Flanged Base, U-Bar	77	52	15.8	15.7	24	25.4	33.5	26.6	4.5	18.5
	100	0.16		3.03	2.05	0.62	0.62	0.94	1.00	1.32	1.05	0.18	0.73
FC-101-AI	440	0.07	Straight Base, U-Bar	83.5	52	22.4	15.7	3.8	25.4	-	26.6	4.5	18.5
	100	0.16		3.29	2.05	0.88	0.62	0.15	1.00	-	1.05	0.18	0.73

Dimensions and technical information subject to change without notice



SERIES FC-1205

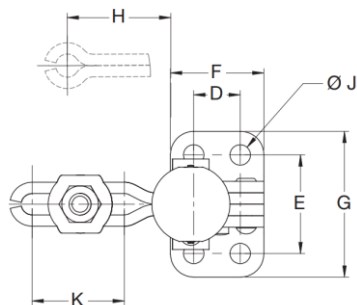
SPECIFICATIONS	
Bar Opens:	96°
Handle Opens:	62°
Spindle Supplied:	FC-19630



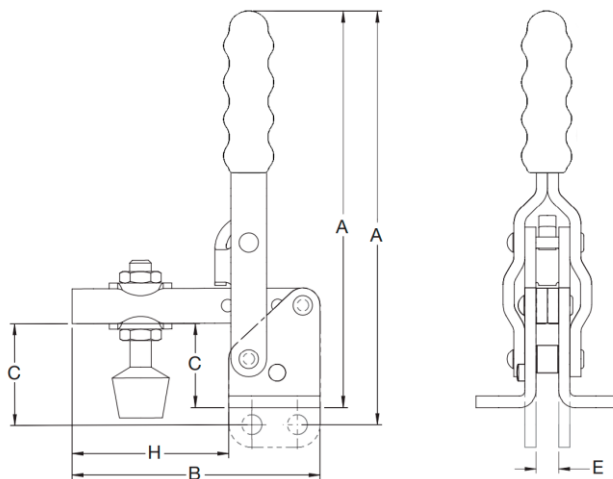
Straight Base
FC-12050-UI



Solid Bar
FC-12050



FC-12050-U



Model	Holding Capacity	Weight	Description	A	B	C	D	E	F	G	H	J	K
Metric	N/lb.	Kg/lb.		mm/in.									
FC-12050	890	0.16	Flanged Base, Solid Bar	110.7	58.6	23.7	12.7	27	25.5	39.9	33.1	5.6	-
	200	0.35		4.36	2.31	0.96	0.5	1.06	1.00	1.57	1.30	0.22	-
FC-12050-U	890	0.16	Flanged Base, U-Bar	110.7	69.2	23.5	12.7	27	25.5	39.9	43.7	5.6	25.1
	200	0.35		4.36	2.73	0.92	0.5	1.06	1.00	1.57	1.72	0.22	0.99
FC-12050-UI	890	0.16	Straight Base, U-Bar	115.5	69.2	28.2	12.7	6.4	25.5	-	43.7	5.6	25.1
	200	0.35		4.55	2.73	1.11	0.5	0.25	1.00	-	1.72	0.22	0.99
FC-12055	890	0.16	Straight Base, Solid Bar	115.5	58.6	28.2	12.7	6.4	25.5	-	33.1	5.6	-
	200	0.35		4.55	2.31	1.11	0.5	0.25	1.00	-	1.30	0.22	-

Dimensions and technical information subject to change without notice

SERIES FC-1213

SPECIFICATIONS

Bar Opens:	112°
Handle Opens:	57°
Spindle Supplied:*	FC-19835

*Solid Bar versions supplied with bolt retainer.



Straight Base
FC-12135



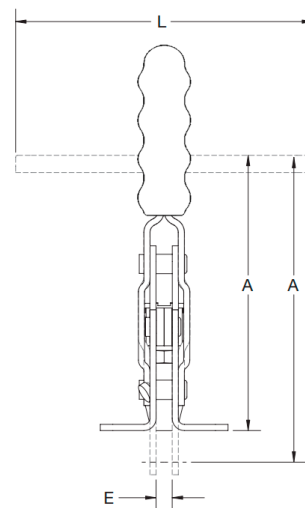
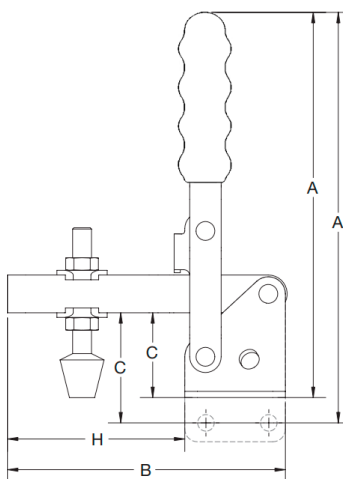
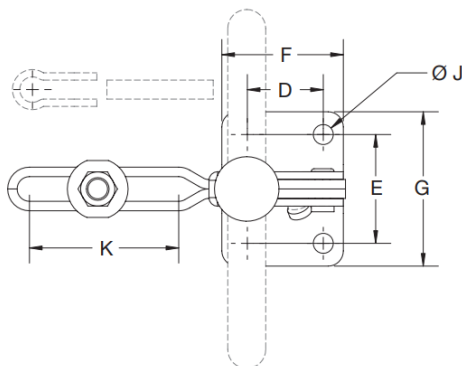
Solid Bar
FC-12140



T-Handle
FC-12131



FC-12130



Model	Holding Capacity	Weight	Description	A	B	C	D	E	F	G	H	J	K
Metric	N/lb.	Kg/lb.		mm/in.									
FC-12132	1670	0.30	Flanged Base, Long U-Bar	143.2	137.1	31.9	19.1	31.8	35.1	44.6	97.5	7.1	76.2
	375	0.67		5.64	5.4	1.26	0.75	1.25	1.38	1.75	3.84	0.28	3.00
FC-12130	1670	0.30	Flanged Base, U-Bar	143.2	111.7	31.9	19.1	31.8	35.1	44.6	72.1	7.1	50.8
	375	0.67		5.64	4.4	1.26	0.75	1.25	1.38	1.75	2.84	0.28	2.00
FC-12135	1670	0.35	Straight Base, U-Bar	150.8	111.7	39.3	19.1	6.4	35.1	-	72.1	7.1	50.8
	375	0.78		5.94	4.40	1.55	0.75	0.25	1.38	-	2.84	0.28	2.00
FC-12131	1670	0.37	Flanged Base, U-Bar, T-Handle	104.1	116.8	31.2	19.1	31.8	35.1	45.0	72.4	6.9	53.3
	375	0.82		4.10	4.60	1.23	0.75	1.25	1.38	1.77	2.85	0.27	2.10
FC-12140	2220	0.34	Flanged Base, Solid Bar	143.2	95.9	31.8	19.1	31.8	35.1	44.6	56.3	7.1	-
	500	0.75		5.64	3.78	1.25	0.75	1.25	1.38	1.75	2.22	0.28	-

Dimensions and technical information subject to change without notice

SERIES FC-122

SPECIFICATIONS

Bar Opens:	105°
Handle Opens:	58°
Spindle Supplied:	3/8-16 x 3.50

*Solid Bar versions supplied with bolt retainer.

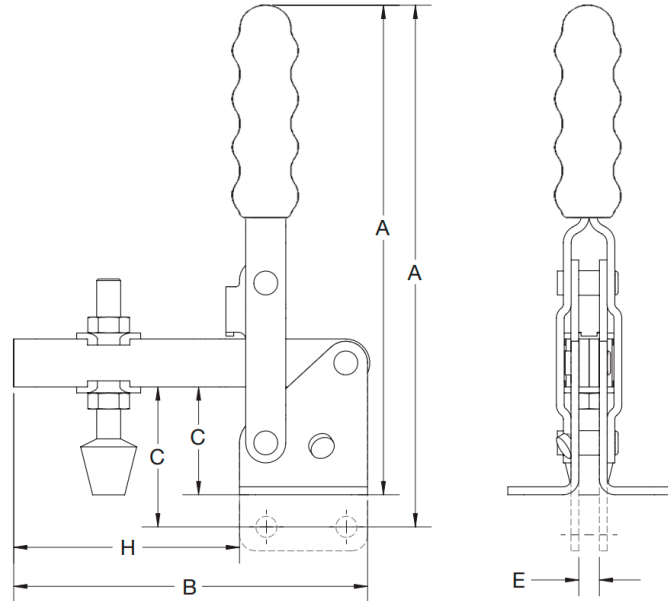
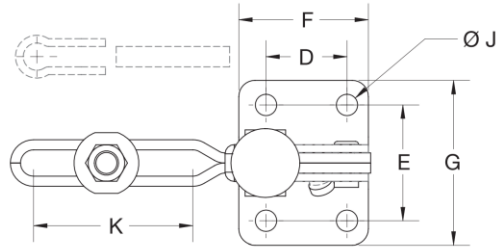


Straight Base
FC-12280

Solid Bar
FC-12275
FC-12280



FC-12265



Model	Holding Capacity	Weight	Description	A	B	C	D	E	F	G	H	J	K
Metric	N/lb.	Kg/lb.		mm/in.									
FC-12265	2670	0.59	Flanged Base, U-Bar	196	139.4	42.4	31.8	45.2	49.3	64.5	90.2	8.3	59.4
	600	1.29		7.71	5.65	1.67	1.25	1.8	1.94	2.55	3.56	0.31	2.31
FC-12275	3340	0.68	Flanged Base, Solid Bar	200.4	142	32	31.8	46.0	49.3	65	89.7	7.9	-
	750	1.5		7.89	5.59	1.26	1.25	1.81	1.94	2.56	3.53	0.31	-
FC-12280	3340	0.68	Straight Base, Solid Bar	214.9	142	54.9	31.8	8.9	46.3	-	91.2	7.9	-
	750	1.5		8.46	5.59	2.16	1.25	0.35	1.94	-	3.59	0.31	-

Dimensions and technical information subject to change without notice

SERIES FC-1024

SPECIFICATIONS

Bar Opens: 95-135°

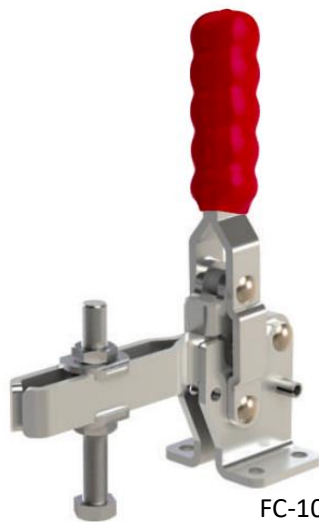
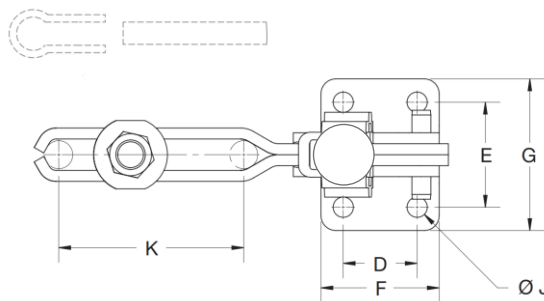
Handle Opens: 67°-70°

Spindle Supplied:* FC-19310

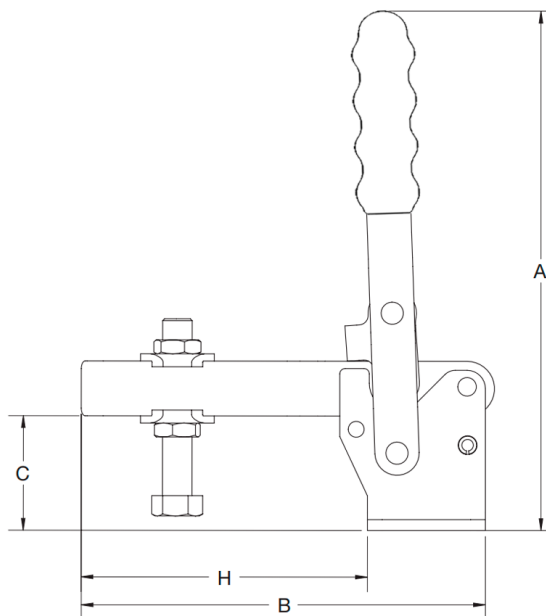
*for U-Bar versions only.



Straight Base
FC-10249



FC-10247



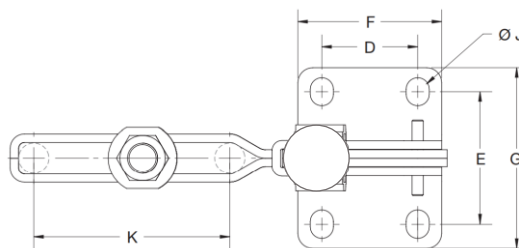
Model	Holding Capacity	Weight	Description	A	B	C	D	E	F	G	H	J	K
Metric	N/lb.	Kg/lb.		mm/in.									
FC-10247	4400	1.24	Flanged Base, U-Bar	223.8	175.0	49.5	31.8	45.0	50.8	65.0	123.7	8.9	75.7
	1000	2.76		8.81	6.89	1.95	1.25	1.77	2.00	2.56	4.87	0.35	2.98
FC-10249	4400	1.24	Flanged Base, Solid Bar	223.8	180.9	50.8	31.8	45.0	50.8	65.0	130.1	8.9	-
	1000	2.76		8.81	7.12	2.00	1.25	1.77	2.00	2.56	5.12	0.35	-

Dimensions and technical information subject to change without notice

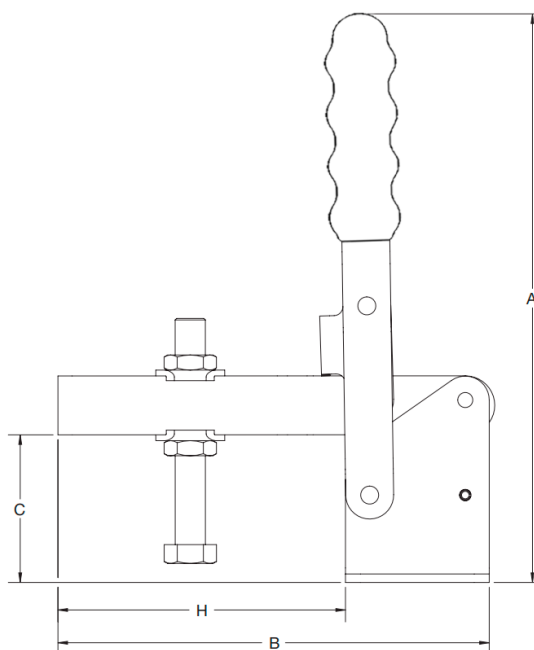
SERIES FC-101-J

SPECIFICATIONS

Bar Opens:	140°
Handle Opens:	60°
Spindle Supplied:	1/2-13 x 4.50



FC-101-J



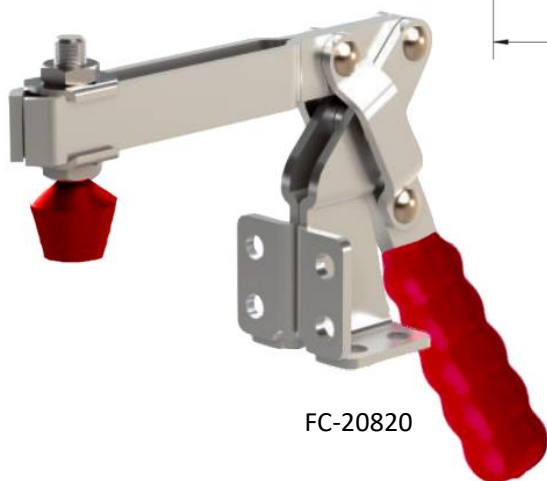
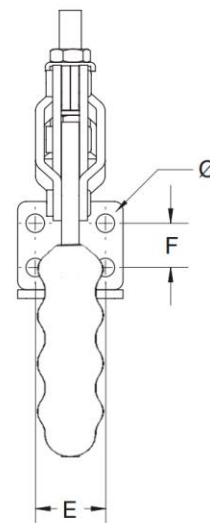
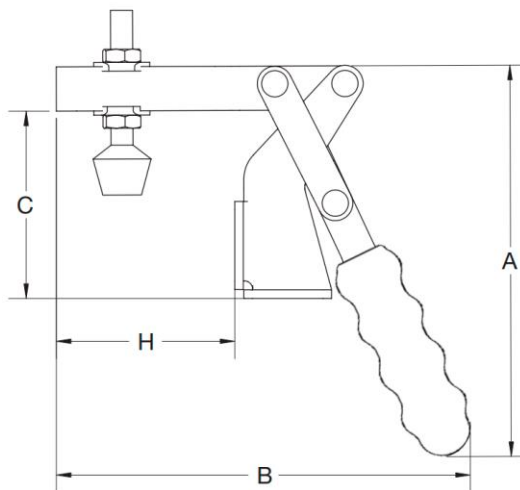
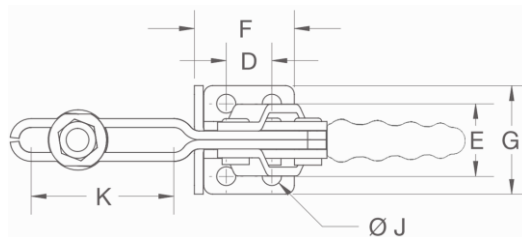
Model	Holding Capacity	Weight	Description	A	B	C	D	E	F	G	H	J	K
Metric	N/lb.	Kg/lb.		mm/in.									
FC-101-J	5340	2.54	Flanged Base, U-Bar	301.5	228.6	78.2	50.8	69.9	76.2	95.2	152.2	12.2	110
	1200	5.6		11.87	9.00	3.08	2.00	2.75	3.00	3.75	5.99	0.48	4.33

Dimensions and technical information subject to change without notice

SERIES FC-2082

SPECIFICATIONS

Bar Opens:	180°
Handle Opens:	60°
Spindle Supplied:	5/16-18 x 2.50



FC-20820

Model	Holding Capacity	Weight	Description	A	B	C	D	E	F	G	H	J	K
Metric	N/lb.	Kg/lb.		mm/in.									
FC-20820	1670	0.40	Flanged Base, U-Bar	161.8	156.1	71.1	16.0	25.4	35.1	38.1	65.5	6.7	53.6
	375	0.88		6.37	6.14	2.8	0.63	1.00	1.38	1.50	2.58	0.26	2.11

Dimensions and technical information subject to change without notice

SERIES FC-201

SPECIFICATIONS

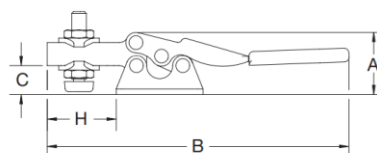
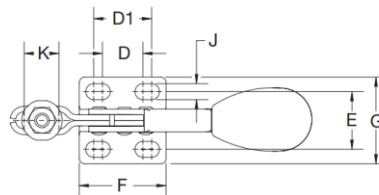
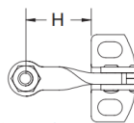
Bar Opens:	90°
Handle Opens:	50°
Spindle Supplied:	FC-19420



FC-201



FC-201-A



Model	Holding Capacity	Weight	Description	A	B	C	D	D1	E	F	G	H	J	K
Metric	N/lb.	Kg/lb.		mm/in.										
FC-201	270	0.03	Flanged Base, U-Bar	17.3	82.7	7.4	11.1	16	15.7	23.8	23.7	18.9	4.4	9.5
	60	0.06		0.68	3.26	0.29	0.44	0.63	0.62	0.94	0.93	0.74	0.18	0.37
FC-201-A	270	0.03	Flanged Base, Straight Bar	17.3	86.5	9	11.1	16	15.7	23.8	23.7	18	4.4	-
	60	0.06		0.68	3.40	0.35	0.44	0.63	0.62	0.94	0.93	0.71	0.18	-

SERIES FC-201-B

SPECIFICATIONS

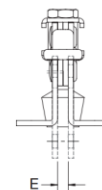
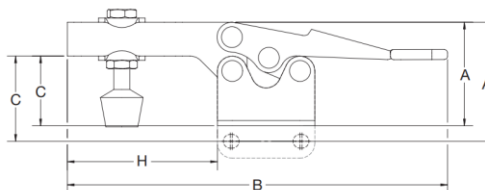
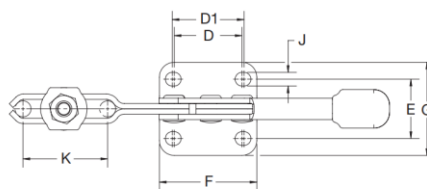
Bar Opens:	84°
Handle Opens:	70°
Spindle Supplied:	FC-19630



FC-201-B



FC-201-BI



Model	Holding Capacity	Weight	Description	A	B	C	D	D1	E	F	G	H	J	K
Metric	N/lb.	Kg/lb.		mm/in.										
FC-201-B	890	0.15	Flanged Base, U-Bar	38.9	142.6	25.6	26.2	26.9	22.3	36.5	35	56.3	5.2	31.1
	200	0.34		1.53	5.61	1.01	1.03	1.06	0.88	1.44	1.38	2.22	0.2	1.23
FC-201-BI	890	0.15	Straight Base, U-Bar	44.6	142.6	37.7	26.2	26.9	4	36.5	-	56.3	5.2	31.1
	200	0.34		1.76	5.61	1.48	1.03	1.06	0.16	1.44	-	2.22	0.2	1.23

Dimensions and technical information subject to change without notice

SERIES FC-201

SPECIFICATIONS

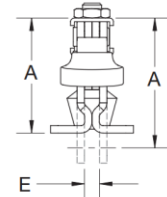
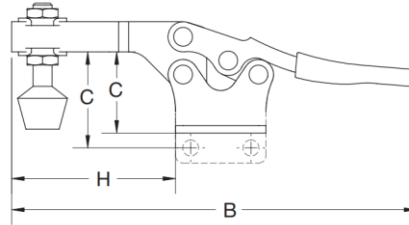
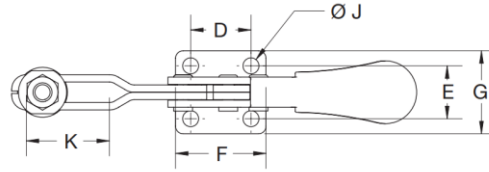
Bar Opens:	92°
Handle Opens:	70°
Spindle Supplied:	FC-19835



FC-225-D



FC-225-DI



Model	Holding Capacity	Weight	Description	A	B	C	D	E	F	G	H	J	K
Metric	N/lb.	Kg/lb.		mm/in.									
FC-225-D	2220	0.25	Flanged Base, U-Bar	46.8	170	32.9	25.4	22.1	38.1	34.8	69.2	6.7	35
	500	0.55		1.84	6.69	1.3	1.00	0.87	1.50	1.37	2.72	0.27	1.38
FC-225-DI	2220	0.25	Straight Base, U-Bar	53.2	170	39.3	25.4	6.2	38.1	-	69.2	6.7	35
	500	0.55		2.09	6.69	1.55	1.00	0.24	1.50	-	2.72	0.27	1.38

SERIES FC-2023

SPECIFICATIONS

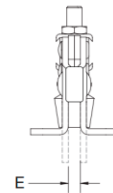
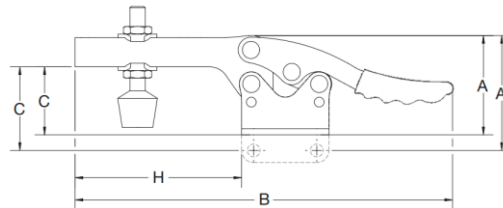
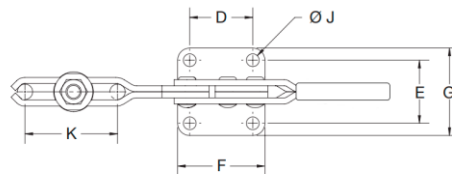
Bar Opens:	92°
Handle Opens:	50°
Spindle Supplied:	FC-19055



FC-20235



FC-20236



Model	Holding Capacity	Weight	Description	A	B	C	D	E	F	G	H	J	K
Metric	N/lb.	Kg/lb.		mm/in.									
FC-20235	3340	0.67	Flanged Base, U-Bar	64.9	247.9	43.3	41.3	41.2	57.2	57.2	109.2	8.4	60.4
	750	1.47		2.55	9.76	1.7	1.63	1.62	2.25	2.25	4.3	0.33	2.38
FC-20236	2220	0.25	Straight Base, U-Bar	75.1	247.9	54.7	41.3	7.9	57.2	-	109.2	8.4	60.4
	500	0.55		2.96	9.76	2.15	1.63	0.31	2.25	-	4.3	0.33	2.38

Dimensions and technical information subject to change without notice

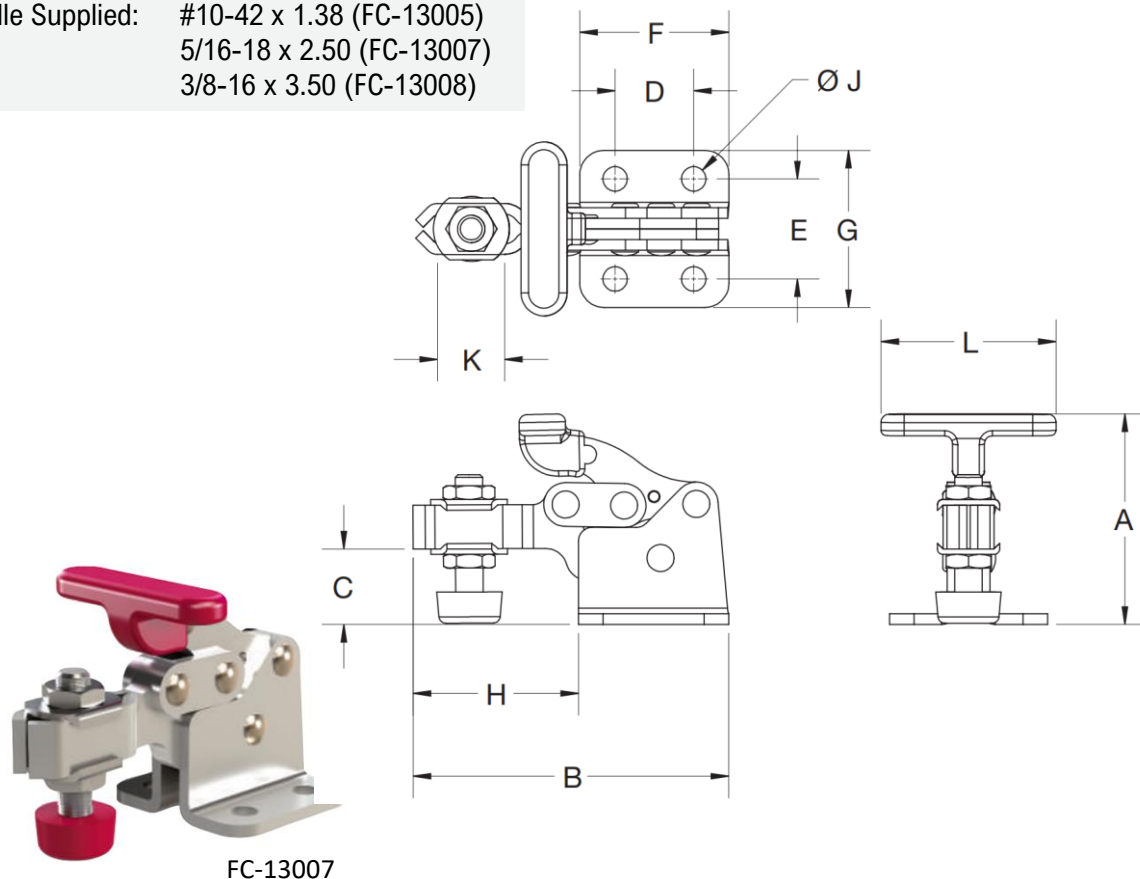
SERIES FC-1300

SPECIFICATIONS

Bar Opens: 90°

Handle Opens: 170°

Spindle Supplied: #10-42 x 1.38 (FC-13005)
 5/16-18 x 2.50 (FC-13007)
 3/8-16 x 3.50 (FC-13008)



FC-13007

Model	Holding Capacity	Weight	Description	A	B	C	D	E	F	G	H	J	K	L
Metric	N/lb.	Kg/lb.		mm/in.										
FC-13005	670	0.06	Flanged Base, U-Bar	37.3	58.4	16.5	13.5	16.8	26.2	26.2	32	4.3	11.2	33.5
	150	0.13		1.47	2.3	0.65	0.53	0.66	1.03	1.03	1.26	0.17	0.44	1.32
FC-13007	1560	0.24	Flanged Base, U-Bar	61	91.7	22	23	29.2	43.7	45.9	48	7.1	19	51
	350	0.54		2.40	3.61	0.87	0.91	1.15	1.72	1.81	1.89	0.28	0.75	2.00
FC-13008	3340	0.27	Flanged Base, U-Bar	94.7	135.4	33.3	35.1	38.1	64	64	71.4	7.9	33.5	63
	750	0.59		3.73	5.33	1.31	1.38	1.5	2.52	2.52	2.81	0.31	1.35	2.48

Dimensions and technical information subject to change without notice

SERIES FC-4032

SPECIFICATIONS

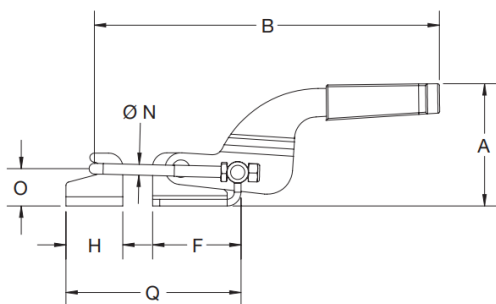
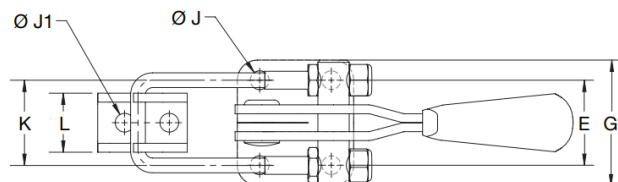
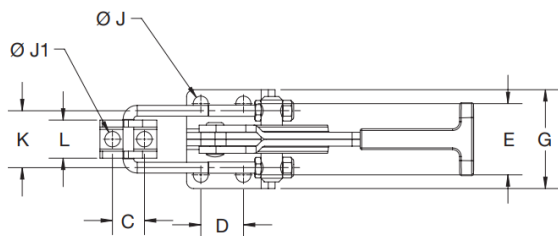
Drawing Movement:	mm[in.]
FC-40323	46.0 [1.81]
FC-431	44.5 [1.75]
FC-40321	63.5 [2.50]



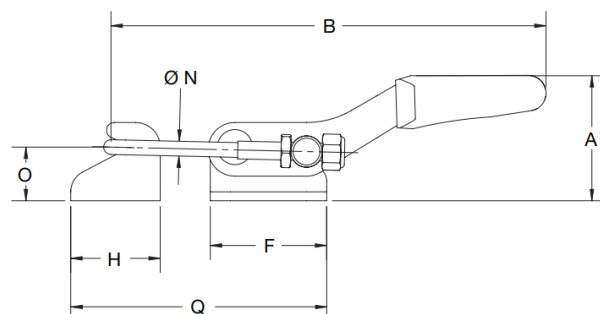
FC-40341

FC-431

FC-40323



FC-40341 – FC-431



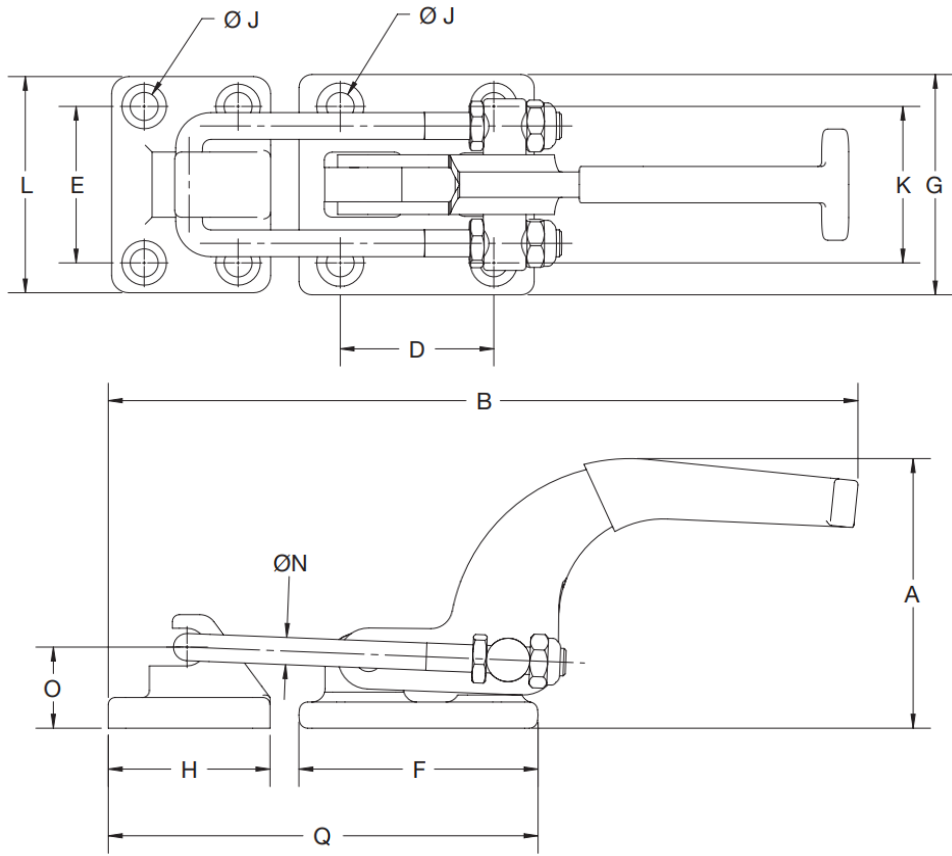
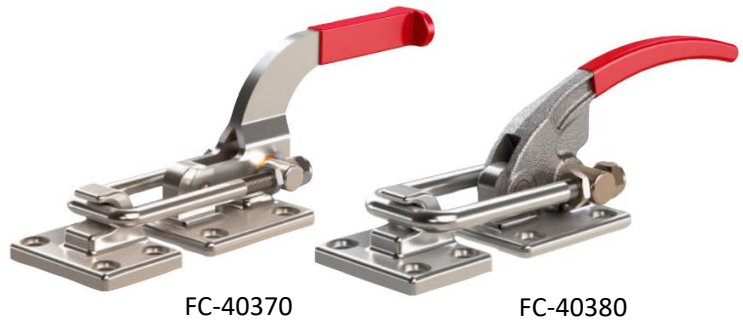
FC-40323

Model	Holding Capacity	Weight	A	B	C	D	E	F	G	H	J	J1	K	L	N	O	Q (MIN)	Q (MAX)
Metric	N/lb.	Kg/lb.	mm/in.															
FC-40323	1600	0.07	28	97.2	10	16	19	26	28	20	4.2	4.2	19	13.2	3.3	12	46	57.2
	360	0.16	1.10	3.83	0.39	0.63	0.75	1.02	1.10	0.79	0.17	0.17	0.75	0.52	0.13	0.47	1.81	2.25
FC-431	3200	0.25	54.5	154.1	14.3	19.1	31.8	39.5	44.1	25.4	6.7	6.9	25.4	17	4.8	16.7	64.9	78.2
	700	0.56	2.15	6.07	0.56	0.75	1.25	1.56	1.74	1.00	0.26	0.27	1.00	0.67	0.19	0.66	2.56	3.08
FC-40341	8900	0.65	73.4	188.1	19.1	41.3	38.1	60.5	53.8	38.1	8.5	8.5	44.5	30.1	7.9	23.8	98.6	114.3
	2000	1.43	2.89	7.41	0.75	1.63	1.5	2.38	2.12	1.5	0.33	0.33	1.75	1.19	0.31	0.94	3.88	4.5

Dimensions and technical information subject to change without notice

SERIES FC-4037

SPECIFICATIONS	
Drawing Movement:	mm[in.]
FC-40370	46.0 [1.81]
FC-40380	44.5 [1.75]



Model	Holding Capacity	Weight	A	B	C	D	E	F	G	H	J	K	L	N	O	Q (MIN)	Q (MAX)
Metric	N/lb.	Kg/lb.	mm/in.														
FC-40370	17.5kN	1.25	100.6	289.3	34.8	56.9	57.9	87.1	81.5	58.9	10.4	43.4	79.8	9.9	29.7	158	183.1
	4,000	2.78	3.96	11.39	1.37	2.24	2.28	3.43	3.21	2.32	0.41	1.71	3.14	0.39	1.17	6.22	7.21
FC-40380	33.3kN	1.47	92.2	300	34.8	56.9	57.4	87.6	81	58.9	9.6	54.8	80.3	11.7	27.4	155.7	184.2
	7,500	3.26	3.63	11.8	1.37	2.24	2.26	3.45	3.19	2.32	0.38	2.16	3.16	0.46	1.08	6.13	7.25

Dimensions and technical information subject to change without notice



SERIES FC-4032

SPECIFICATIONS

Drawing Movement: mm[in.]

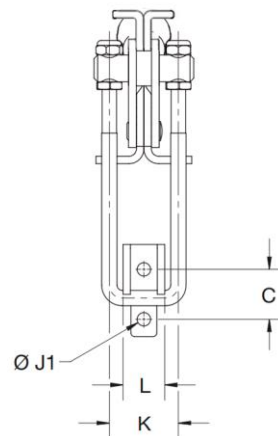
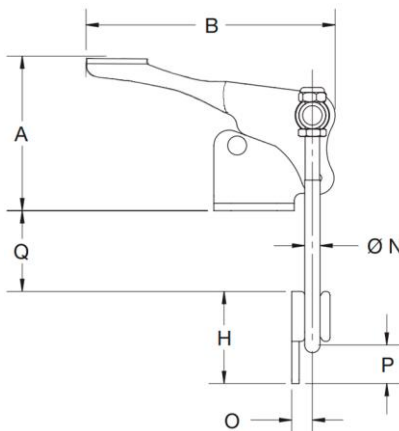
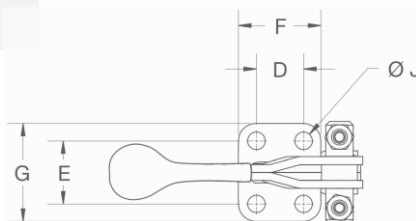
FC-40324 39 [1.53]

FC-40334 51 [2.00]

FC-40344 63.5 [2.50]



FC-40324



Model	Holding Capacity	Weight	A	B	C	D	E	F	G	H	J	J1	K	L	N	O	P	Q (MIN)	Q (MAX)
Metric	N/lb.	Kg/lb.	mm/in.																
FC-40324	1.6kN	0.11	51.4	88.3	14.3	12.7	22.4	25.4	35.1	25.4	5.2	4.4	20.6	13.3	3.5	4.7	11.1	12.95	23.4
	360	0.25	2.03	3.48	0.56	0.5	0.88	1.00	1.38	1.00	0.20	0.17	0.81	0.52	0.14	0.19	0.44	0.51	0.92
FC-40334	3.1kN	0.27	63.9	103	20.6	19.1	25.4	33.3	39.6	38.1	7.1	5.6	28.6	17.3	6.4	8.8	16.7	16	34.1
	700	0.55	2.52	4.06	0.81	0.75	1.00	1.31	1.56	1.50	0.28	0.22	1.13	0.68	0.25	0.35	0.66	0.63	1.34
FC-40344	8.9kN	0.70	91.4	133.4	26.9	31.8	37.3	47.2	53.6	54.1	8.6	8.9	44.2	30.2	7.9	12.7	20.1	54.4	53.6
	2,000	1.54	3.60	5.25	1.06	1.25	1.47	1.86	2.11	2.13	0.34	0.35	1.74	1.19	0.31	0.50	0.79	2.14	2.11

Dimensions and technical information subject to change without notice

SERIES FC-451

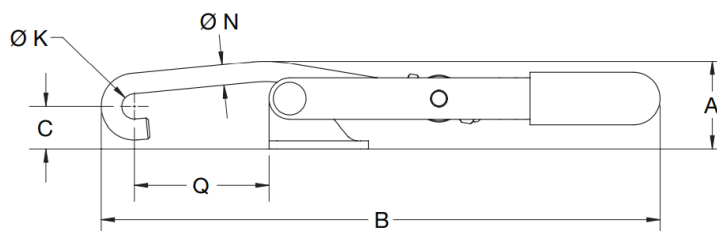
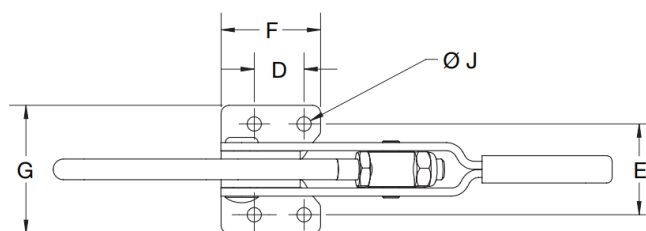
SPECIFICATIONS	
Drawing Movement:	mm[in.]
FC-451	101.6 [4.00]
FC-452	101.6 [4.00]
FC-40371	136.6 [5.38]
FC-43810	155.7 [6.13]



FC-451



FC-452



Model	Holding Capacity	Weight	A	B	C	D	E	F	G	J	K	N	Q (MIN)	Q (MAX)
Metric	N/lb.	Kg/lb.	mm/in.											
FC-451	1670	0.28	32.9	214	15.5	19.1	34.7	38.1	48.9	5.5	9.7	7.9	43.6	54.6
	375	0.61	1.29	8.42	0.61	0.75	1.37	1.50	1.93	0.22	0.38	0.31	1.72	2.15
FC-452	1670	0.28	35.7	216.9	17.3	38.1	-	50.8	14.2	6.7	9.7	7.9	30.9	42.4
	375	0.61	1.41	8.54	0.68	1.50	-	2.00	0.56	0.27	0.38	0.31	1.22	1.67
FC-40371	3340	0.62	55.1	298.5	34.5	31.8	49	47.2	66.3	8.9	12.7	9.5	68.6	87.4
	750	1.38	2.17	11.75	1.36	1.25	1.93	1.86	2.61	0.35	0.50	0.37	2.70	3.44
FC-43810	4450	1.12	64.3	350.5	39.6	28.7	63.2	54.1	89	10	14.7	13	69.9	91.4
	1000	2.49	2.53	13.80	1.56	1.13	2.49	2.13	3.50	0.39	0.58	0.51	2.75	3.60

Dimensions and technical information subject to change without notice

SERIES FC-4310

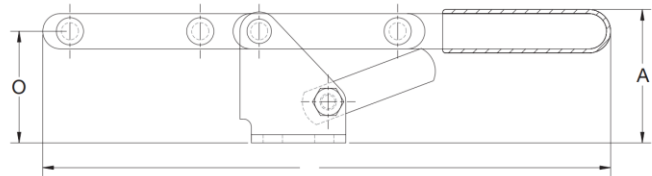
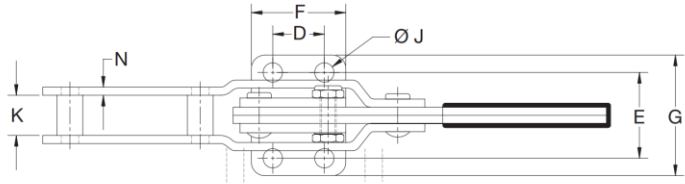
SPECIFICATIONS

Drawing Movement: mm[in.]

FC-43101 101.6 [4.00]



FC-43101



Model	Holding Capacity	Weight	A	B	D	E	F	G	J	K	N	O
Metric	N/lb.	Kg/lb.	mm/in.									
FC-43101	1670	0.31	47.8	213.4	19	31	35.1	43.7	7.1	14.2	3	40.4
	375	0.68	1.88	8.4	0.75	1.22	1.38	1.72	0.28	0.56	0.12	1.59

PUSH/PULL TOGGLE CLAMPS

SERIES FC-301

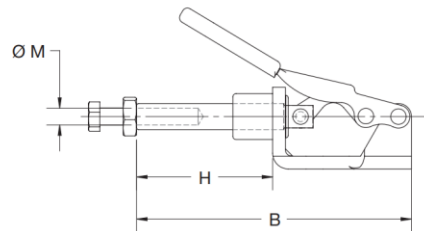
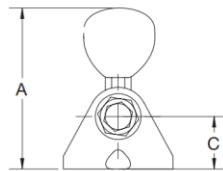
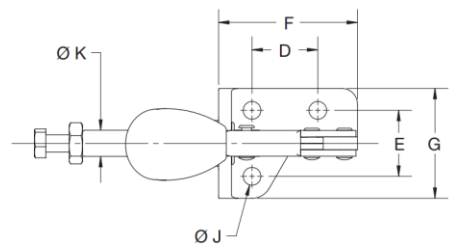
Model Plunger Travel Spindle Supplied

mm/in.

FC-301-A 16 0.63 FC-19105



FC-301-A

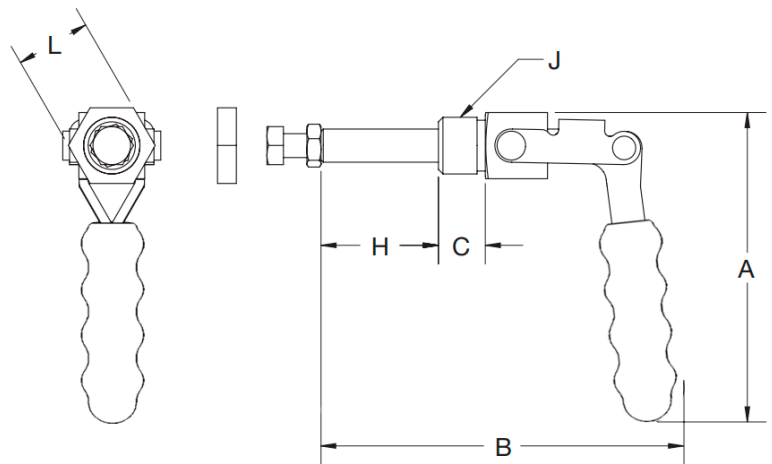
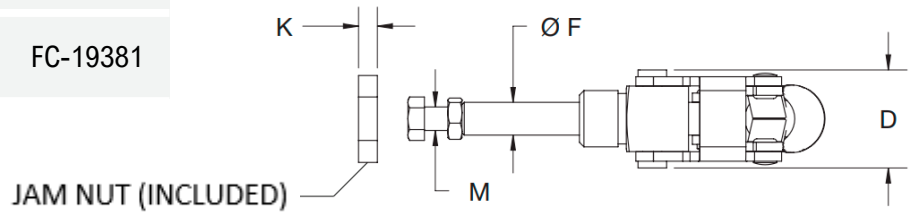


Model	Holding Capacity	Weight	Description	A	B	C	D	E	F	G	H	J	K
Metric	N/lb.	Kg/lb.		mm/in.									
FC-301-A	440	0.04	Flanged Base, Imperial Thread	39.1	66.9	12.7	16	16	33.8	26.7	4.3	6.2	#8-32
	100	0.09		1.54	2.63	0.5	0.63	0.63	1.33	1.05	0.17	0.25	

Dimensions and technical information subject to change without notice

SERIES FC-3620

Model	Plunger Travel	Spindle Supplied
	mm/in.	
FC-36202	19	FC-19145
	0.75	
FC-36204	57.2	FC-19518
	1.50	
FC-36224	66.7	FC-19381
	2.63	



Model	Holding Capacity	Weight	Description	A	B	C	D	F	H	J	K	L	M
Metric	N/lb.	Kg/lb.		mm/in.									
FC-36202	900	0.05	Through Hole Mount, Imperial Thread	79.8	66.1	12.7	26.2	10	20.6	5/8-18	6.4	22.4	1/4-20
	200	0.12		3.14	2.6	0.5	1.03	0.39	0.81				
FC-36204	1330	0.20	Through Hole Mount, Imperial Thread	106.3	123.3	19.4	33.1	11.1	36.1	3/4-16	6.4	25.4	5/16-18
	300	0.44		4.18	4.85	0.76	1.3	0.44	1.42				
FC-36224	3100	0.70	Through Hole Mount, Imperial Thread	137.9	170.9	22.4	47.2	16	71.1	1-14	8.1	41	3/8-16
	700	1.54		5.43	6.73	0.88	1.86	0.63	2.8				

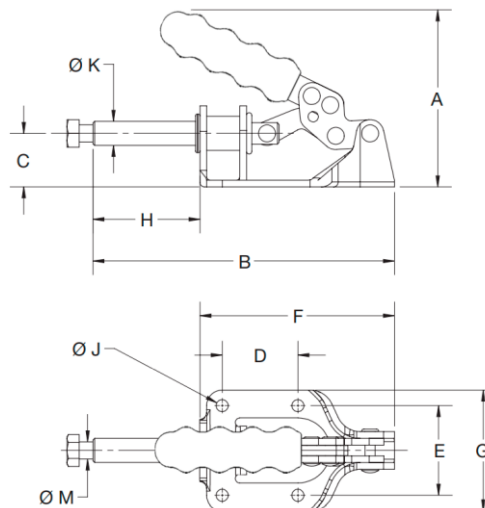
Dimensions and technical information subject to change without notice

SERIES FC-302

Model	Plunger Travel	Spindle Supplied
	mm/in.	
FC-302-F	31.8 1.25	FC-19518



FC-302-F



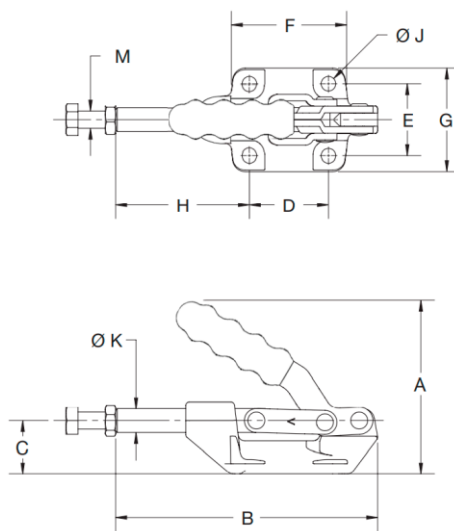
Model	Holding Capacity	Weight	Description	A	B	C	D	E	F	G	J	K	M
Metric	N/lb.	Kg/lb.		mm/in.									
FC-302-F	1330 300	0.31 0.69	Flanged Base, Imperial Thread	79.8 3.14	138.4 5.45	24.9 0.98	35.1 1.38	41.7 1.64	90.2 3.55	56.4 2.22	48.3 1.90	5.6 0.22	5/16-18

SERIES FC-3600

Model	Plunger Travel	Spindle Supplied
	mm/in.	
FC-36003	38.1 1.25	FC-19518
FC-304-E	41.9 1.65	FC-19381



FC-36003

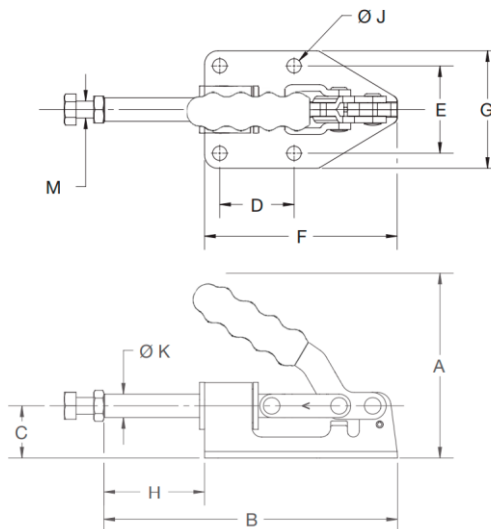


Model	Holding Capacity	Weight	Description	A	B	C	D	E	F	G	H	J	K	M
Metric	N/lb.	Kg/lb.		mm/in.										
FC-36003	2670 600	0.32 0.7	Flanged Base, Imperial Thread	83.3 3.28	121.2 4.77	24.6 0.97	36.6 1.44	33.3 1.31	53.3 2.10	47.8 1.88	61.9 2.44	6.8 0.27	11.1 0.44	5/16-18
FC-304-E	3780 850	0.58 1.28	Flanged Base, Imperial Thread	97 3.82	159.3 6.27	31.8 1.25	41.1 1.62	41.4 1.63	59.2 2.33	57.2 2.25	90.5 3.56	8.4 0.33	15.6 0.62	3/8-16

Dimensions and technical information subject to change without notice

SERIES FC-3602

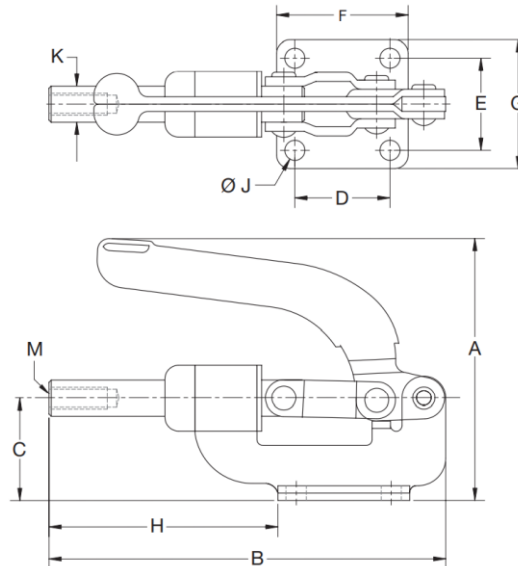
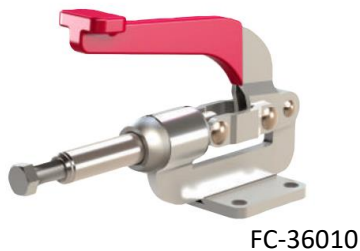
Model	Plunger Travel	Spindle Supplied
	mm/in.	
FC-36020	31.8 1.25	FC-19518



Model	Holding Capacity	Weight	Description	A	B	C	D	E	F	G	H	J	K	M
Metric	N/lb.	Kg/lb.		mm/in.										
FC-36020	1330 300	0.40 0.88	Flanged Base, Imperial Thread	84 3.31	138.6 5.46	24.6 0.97	35.1 1.38	41.2 1.62	91 3.58	55.5 2.19	47.6 1.87	6.6 0.27	12.7 0.50	5/16-18

SERIES FC-3601

Model	Plunger Travel	Spindle Supplied
	mm/in.	
FC-36010	41.4 1.63	3/8-16 x 1.25

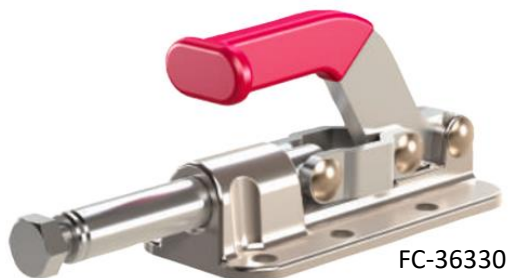
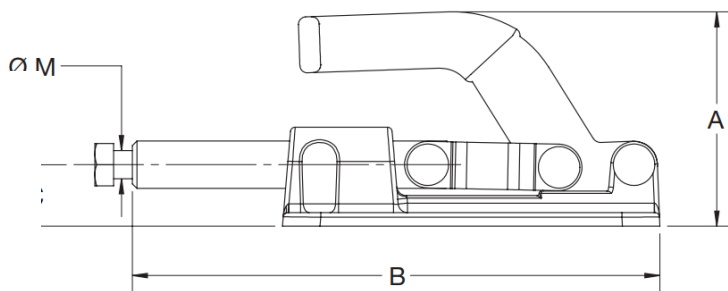
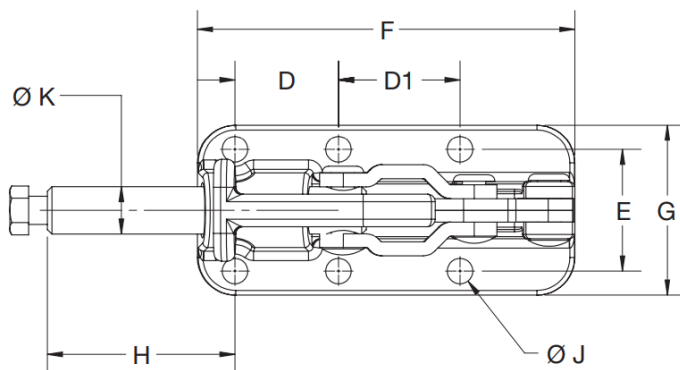


Model	Holding Capacity	Weight	Description	A	B	C	D	E	F	G	J	K	M
Metric	N/lb.	Kg/lb.		mm/in.									
FC-36010	3560 800	0.8 1.76	Flanged Base, Imperial Thread	128 5.04	173.2 6.82	44.5 1.75	41.4 1.63	40.1 1.58	57.2 2.25	55.9 2.2	107.4 4.23	8.6 0.34	3/8-16

Dimensions and technical information subject to change without notice

SERIES FC-3060

Model	Plunger Travel	Spindle Supplied
	mm/in.	
FC-30607	41.2 1.62	FC-19518
FC-36330	50.8 2.00	FC-19381



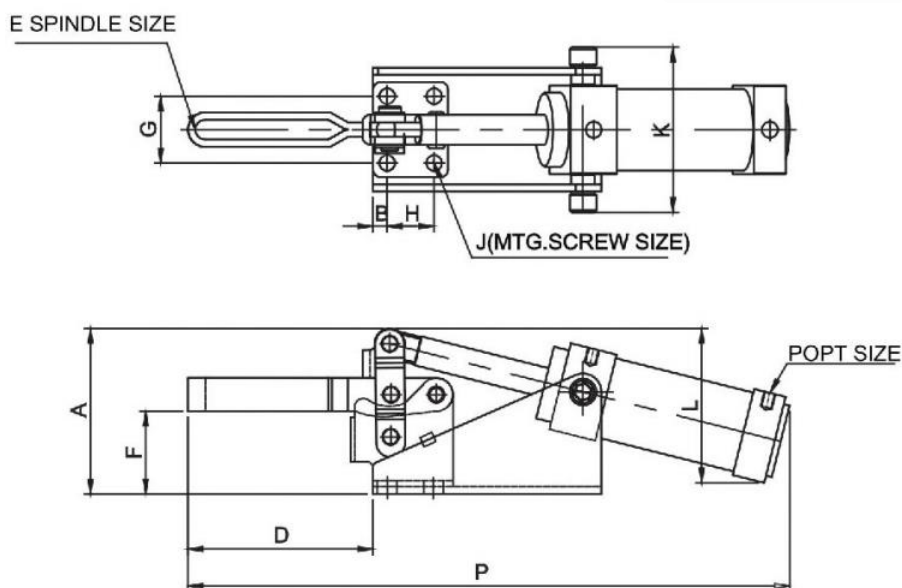
Model	Holding Capacity	Weight	Description	A	B	C	D	D1	E	F	G	H	J	K	M
	N/lb.	Kg/lb.		mm/in.											
FC-30607	3560	0.76	Through Hole Mount, Imperial Thread	83.3	155	17.3	35	41.1	41.1	109.2	55.4	62.7	7.1	12.5	5/16-18
	800	1.7		3.28	6.1	0.68	1.38	1.62	1.62	4.3	2.18	2.47	0.28	0.49	
FC-36330	11.1kN	0.92	Through Hole Mount, Imperial Thread	72.3	178.6	20.6	35.1	41.1	41.3	127.8	57.5	63.5	8.6	16	3/8-16
	2500	2.06		2.85	7.03	0.81	1.38	1.62	1.63	5.03	2.27	2.50	0.34	0.63	

Dimensions and technical information subject to change without notice

SERIES FC-12130

SPECIFICATIONS

Bar Opens:	92°
Port Size:	G1/8
Cylinder Bore (mm):	32
Cylinder Area (cm ²):	7.07
Maximum cylinder air pressure (kg/cm ² [PSI])	10 [140]



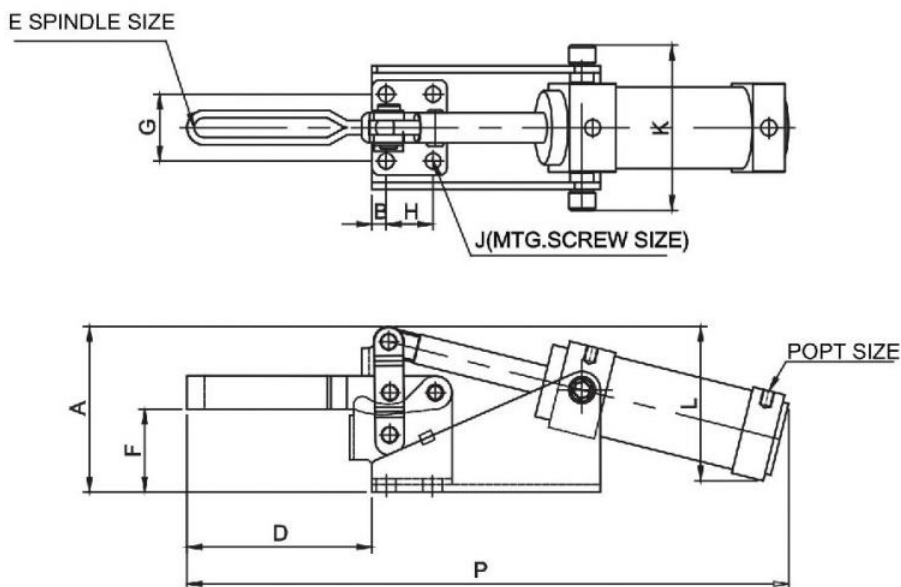
Model	Holding Capacity	Weight	P	A	B	D	F	G	H	J	K	L
Metric	Kg.	g.	mm									
FC-12130-A	227	900	246	75.4	11	68	34.8	31.8	19	7.1	74	73

Dimensions and technical information subject to change without notice

SERIES FC-1050

SPECIFICATIONS

Bar Opens:	92°
Port Size:	G1/8
Cylinder Bore (mm):	32
Cylinder Area (cm ²):	7.07
Maximum cylinder air pressure (kg/cm ² [PSI])	10 [140]

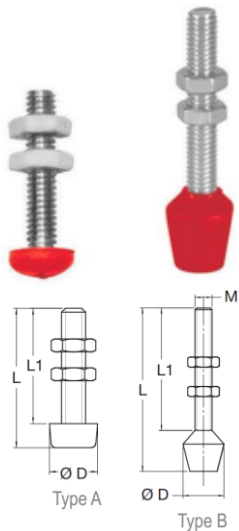


Model	Holding Capacity	Weight	P	A	B	D	F	G	H	J	K	L
Metric	Kg.	g.	mm									
FC-36010	91	620	185	57	6.3	35	25.7	27	12.7	5.2	69	51

Dimensions and technical information subject to change without notice

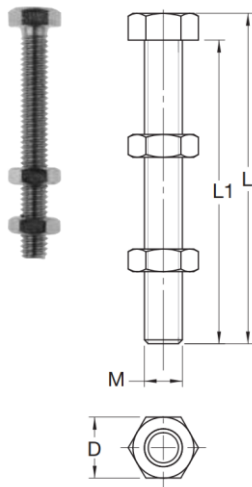
SERIES FC-3602

Flat Cushion Tip Bonded Cap Spindle (includes two jam nuts)



Model	D	M	L	L1	Type	Model	D	M	L	L1	Type
mm/in.						mm/in.					
FC-19218	16 0.63	1/4-20	54.1 2.13	40.1 1.58	B	FC-19420	.8 0.31	M4x0.7	22 0.87	20 0.78	A
FC-19316	21 0.83	5/16	76.2 3.00	58.2 2.29	B	FC-19525	10 0.39	M5x0.8	29 1.14	25 0.98	A
FC-19312	22.2 0.88	3/8-16	89.0 3.50	63.5 2.50	B	FC-19836	19 0.75	M8x1.25	45.3 1.78	32.6 1.28	A
						FC-19630	16 0.63	M6x1.1	44 1.73	30 1.18	B
						FC-19835	21 0.83	M8x1.25	53 2.09	35 1.38	B
						FC-19055	26 1.02	M10x1.5	79 3.11	55 2.17	B

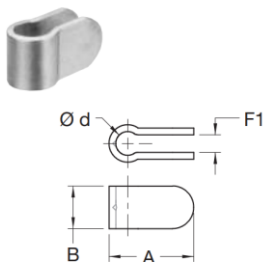
Standard Adjustable Spindle (includes two jam nuts)



Model	D	M	L	L1	Model	D	M	L	L1
mm/in.					mm/in.				
FC-19105*	6.4 0.25	#8-32	21.8 0.86	19 0.75	FC-19421*	7 4.77	M4x0.7	21.8 0.86	19 0.75
FC-19145	11.2 0.44	1/4-20	20.4 0.80	16 0.63	FC-19616	10 0.39	M6x1.0	22 0.87	20 0.78
FC-19518	12.7 0.50	5/16-18	31 1.22	25.4 1.00	FC-19825	13 0.51	M8x1.25	29 1.14	25 0.98
FC-19381	14.2 0.56	3/8-16	38.1 1.50	31.8 1.25	FC-19103	17 0.67	M10x1.5	43 1.69	35 1.38
FC-19310	19 0.75	1/2-13	84 3.31	76.2 3.00					
FC-19450	19 0.75	1/2-13	122.2 4.81	114.3 4.50					

Material: Nylon

Bolt Retainer



Model	A	B	F1	d
mm/in.				
FC-19516	30.5 1.20	16.3 0.64	6.4 0.25	8.1 0.32
FC-19380	16.3 37.3	16.3 37.3	8.4 0.33	10.4 0.41
FC-19120	43.2 1.70	43.2 1.70	9.7 0.38	17.0 0.67

Dimensions and technical information subject to change without notice



FORTE CLAMP



FORTE CLAMP

13165 W Lake Houston Pkwy #1014 Houston, TX 77044



Telephone:

USA: +1 877-279-5900

International: +1 346-388-4060



Email: fortec clamp@fortec clamp.com



Web: www.fortec clamp.com