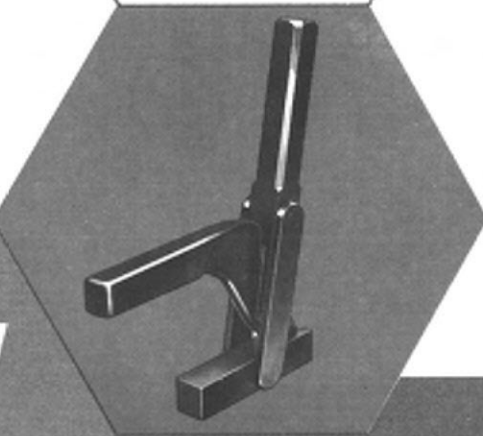


**WOLVERINE  
DROP FORGED  
TOGGLE CLAMPS**



**W**

**WOLVERINE TOOL CO.**

Inside  
Front  
Cover

## COMPARE these outstanding WOLVERINE clamp features

**FAST ACTION** Wolverine clamps are carefully engineered to lock quickly and positively—release instantly and allow maximum clearance in open position.

**RUGGED STRENGTH** Drop forged body components, machine reamed bearing surfaces, and hardened steel pins and bushings assure positive clamping that stands up to high pressures and vibration.

**UNUSUAL DURABILITY** Husky construction of drop-forgings and solid bar stock will give long, efficient service under heavy abuse. Each clamp, black oxide coated for wear and corrosion resistance.

**PRECISION CONSTRUCTION** Accuracy of all fitted parts and careful machining assures smooth, uniform clamping action.

**VERSATILITY** Wolverine clamps are available in a variety of styles and types. Most units can be had with bar base for welding or angle base for bolting. Heavy arm sections are easily drilled and tapped for adjustment bolts or readily adapted to the welding of special adaptors. There is a style to meet almost every requirement.

**ECONOMY** Wolverine standard Toggle clamps are quality built in quantity production to assure off-the-shelf availability to our customers. Our production savings are reflected in their moderate cost. The quality materials and careful workmanship in Wolverine clamps will show you additional economy in better performance and substantially longer service life.

**QUALITY IS ALWAYS GOOD ECONOMY!**

Templates and CAD data available on request.

## C-105

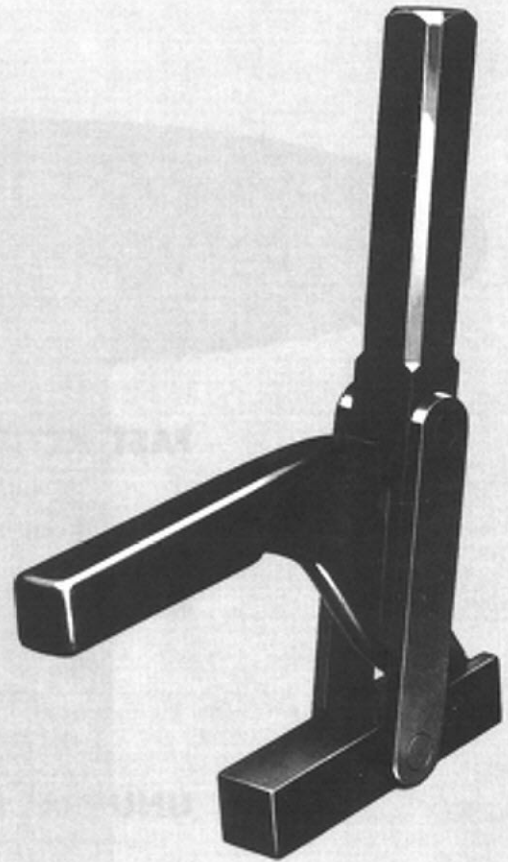
Holding pressure 700 pounds  
Weight of clamp .9 pounds

## C-110

Holding pressure 1150 pounds  
Weight of clamp 2.7 pounds

## C-115

Holding pressure 2050 pounds  
Weight of clamp 6.4 pounds

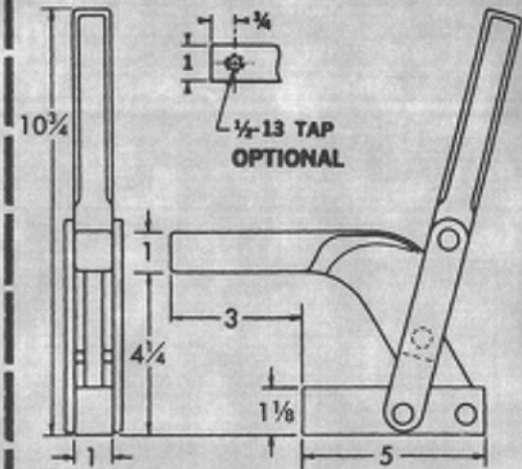
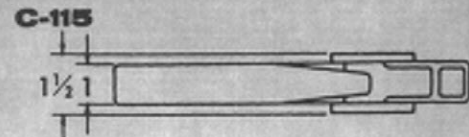
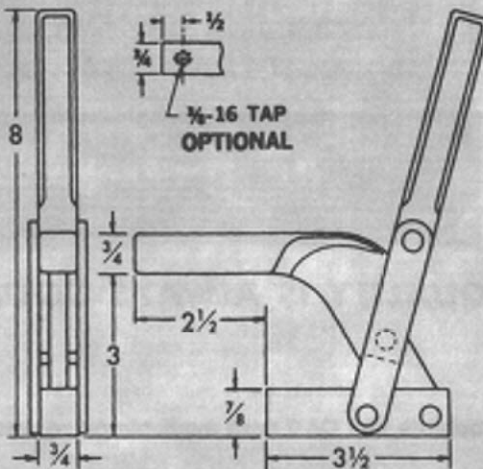
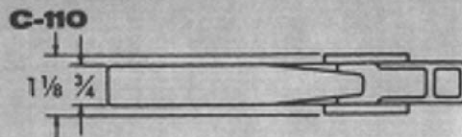
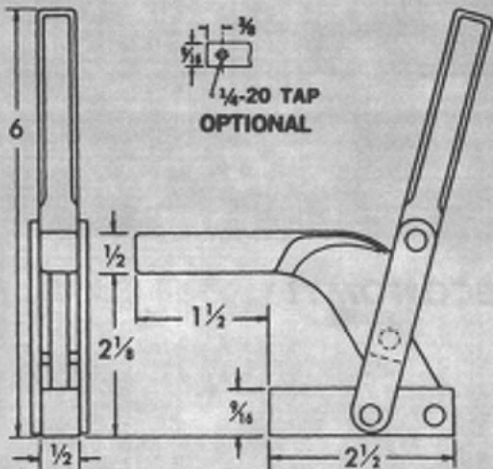
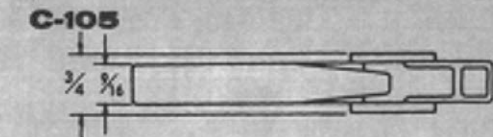


The C-100 series is a fast action, moderate clearance, economy priced clamp that is very popular with our customers for general use. It is well designed and built of quality materials with hardened steel pins and bushings at all bearing points.

These models have a sturdy, solid bar base designed primarily for welding into work position.

Full and half-size tracing templates are available on request.

Templates and CAD data available on request.





## C-105A

Holding pressure 650 pounds  
Weight of clamp 1.0 pounds

## C-110A

Holding pressure 1050 pounds  
Weight of clamp 2.9 pounds

## C-115A

Holding pressure 2000 pounds  
Weight of clamp 6.4 pounds



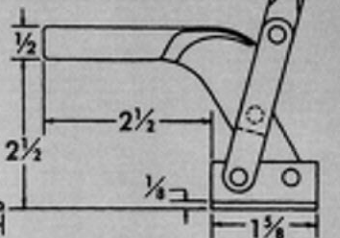
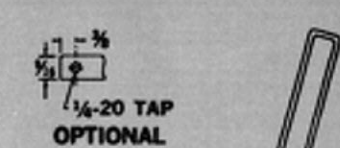
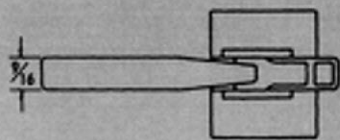
The C-100A series is a fast action, moderate clearance, economy priced clamp identical in all details to the C-100 series, except that it has an angle base for drilling and bolting into work position, instead of the solid bar base. This clamp is built of excellent quality mate-

rials and long experience has proved that it will give very dependable service under the most rugged conditions.

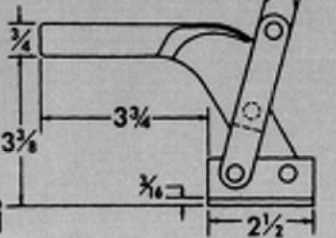
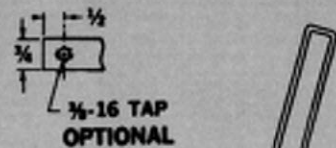
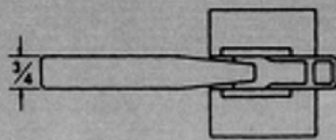
Full and half-size tracing templates are available on request.

Templates and CAD data available on request.

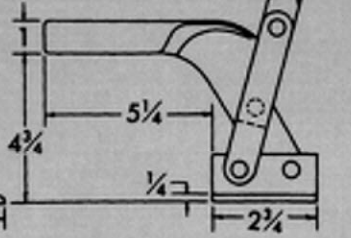
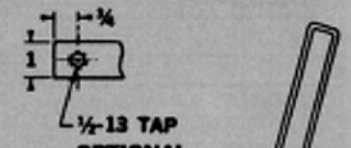
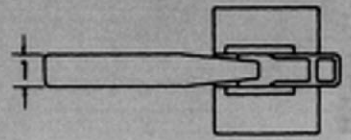
C-105A



C-110A



C-115A



# CQ-1105

Holding pressure 690 pounds  
Weight of clamp .7 pounds

# CQ-1107

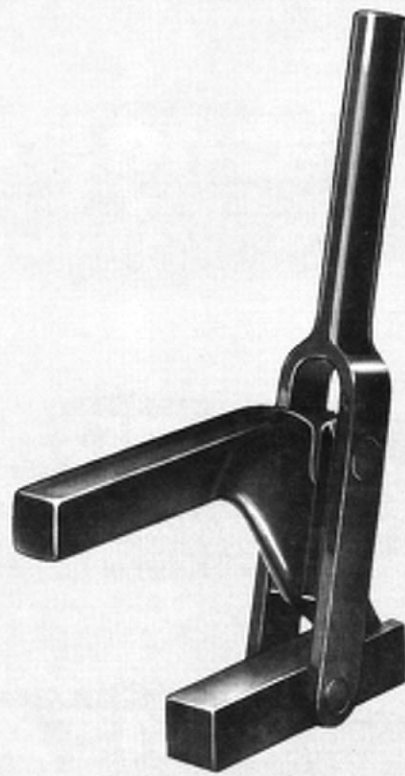
Holding pressure 850 pounds  
Weight of clamp 1.4 pounds

# CQ-1110

Holding pressure 1050 pounds  
Weight of clamp 2.3 pounds

# CQ-1115

Holding pressure 2100 pounds  
Weight of clamp 5.1 pounds



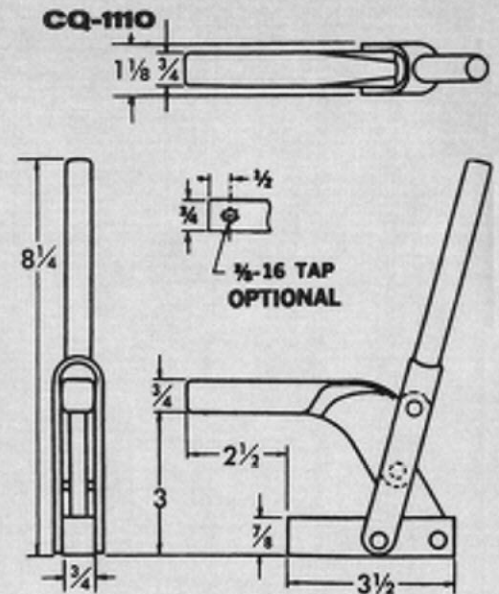
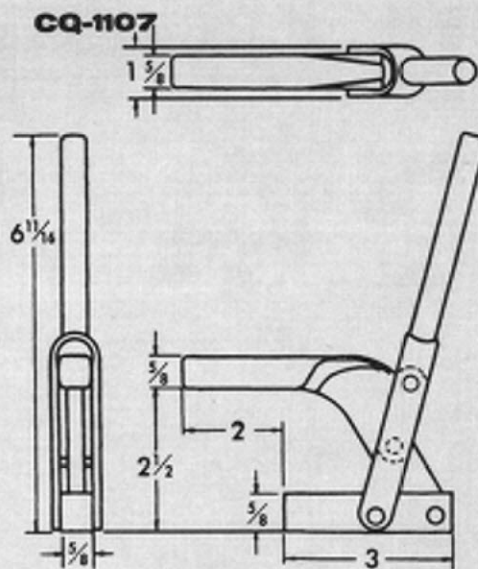
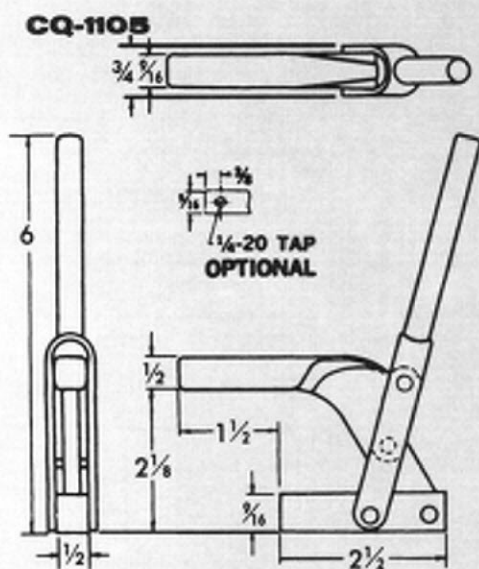
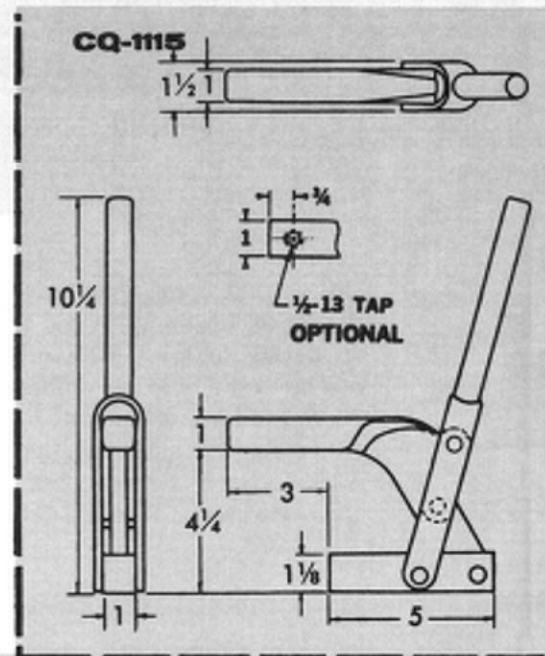
The CQ-1100 series clamps are designed for extra fast, smooth action with maximum open clearance and positive holding.

These models have a husky, solid bar stock base designed primarily for easy welding into work position.

Hardened steel pins and bushings, drop forged arm and durable black oxide finish assure long, trouble-free service.

Full and half-size tracing templates are available on request.

Templates and CAD data available on request.



# CQ-1105A

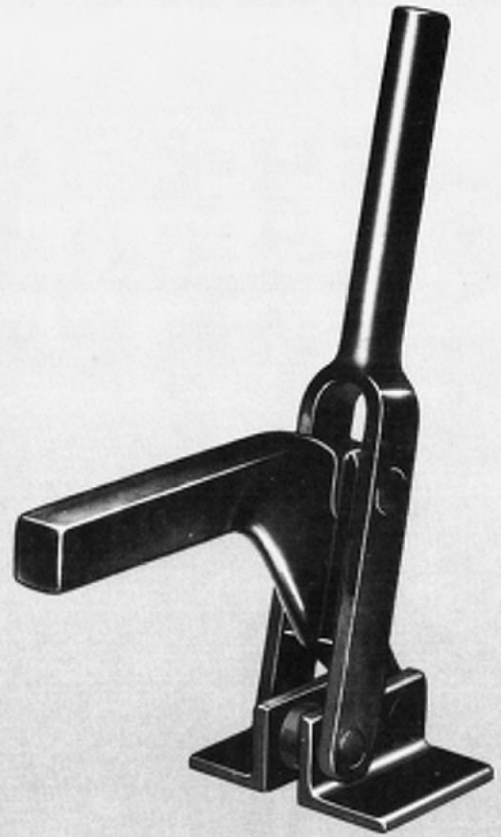
Holding pressure 600 pounds  
Weight of clamp .7 pounds

# CQ-1110A

Holding pressure 1000 pounds  
Weight of clamp 2.4 pounds

# CQ-1115A

Holding pressure 2000 pounds  
Weight of clamp 5.1 pounds



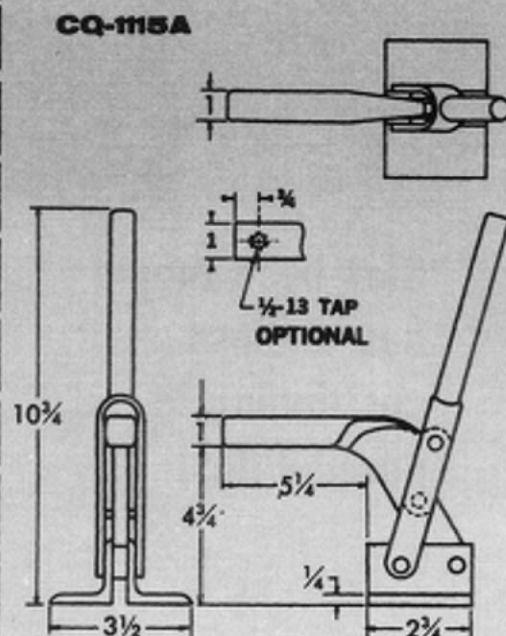
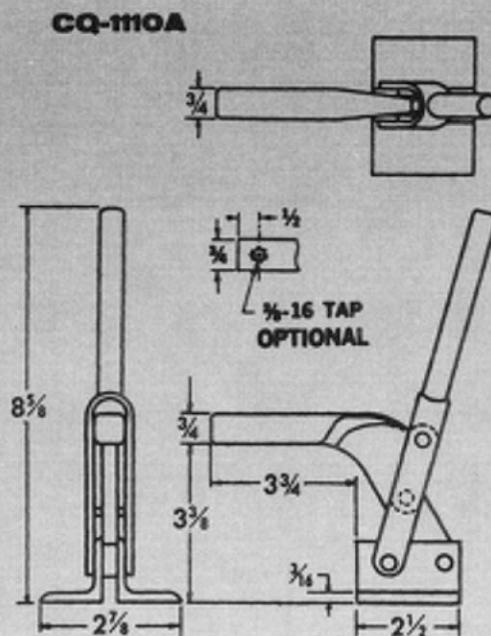
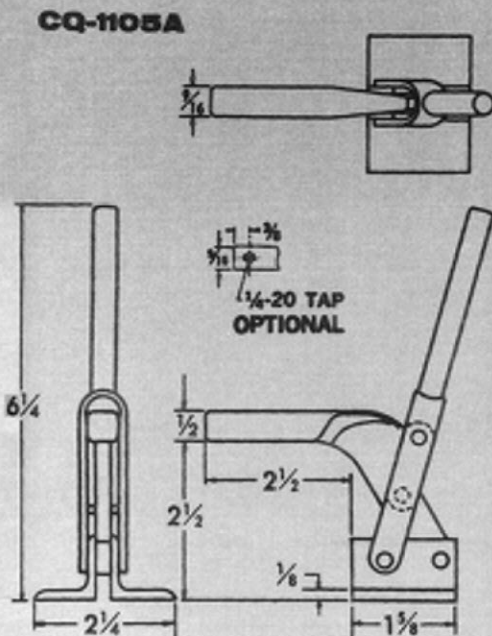
The CQ-1100A series is identical to the CQ-1100 series in design and quality construction, with these exceptions:

The A series has an angle base for drilling and bolting into work position instead of the solid bar base. The A series has a deeper throat

depth and more height under the clamping bar in closed position.

Full and half-size tracing templates are available on request.

Templates and CAD data available on request.

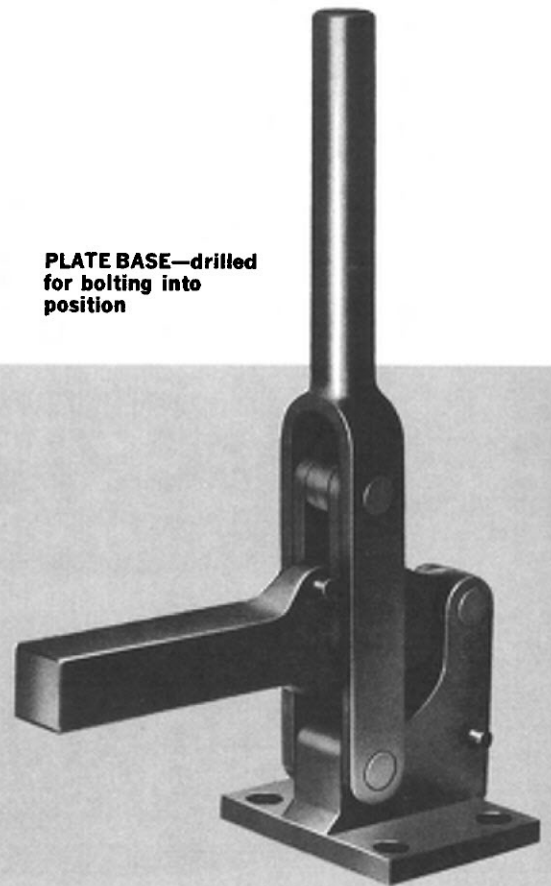


Templates and CAD data available on request.

# CQ-900 SERIES

Holding pressures 750-2750 pounds

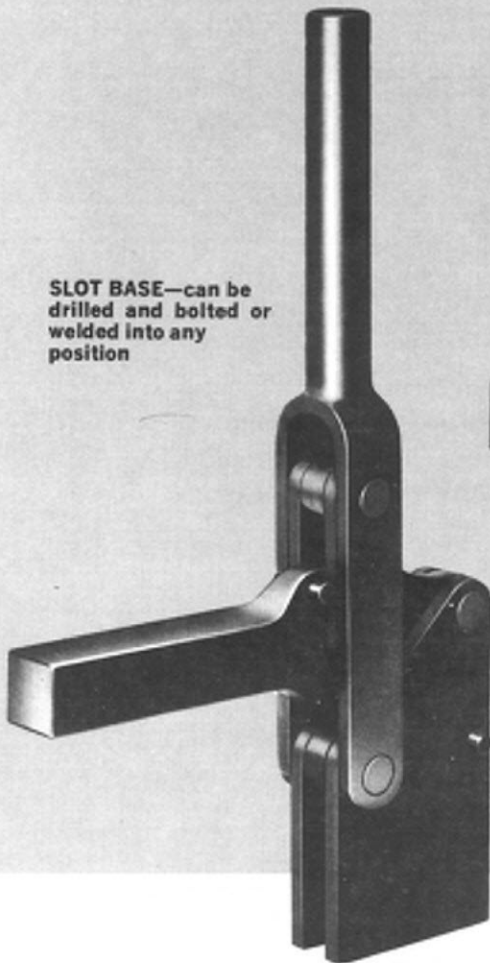
**PLATE BASE**—drilled for bolting into position



**BAR BASE**—easily welded into position



**SLOT BASE**—can be drilled and bolted or welded into any position



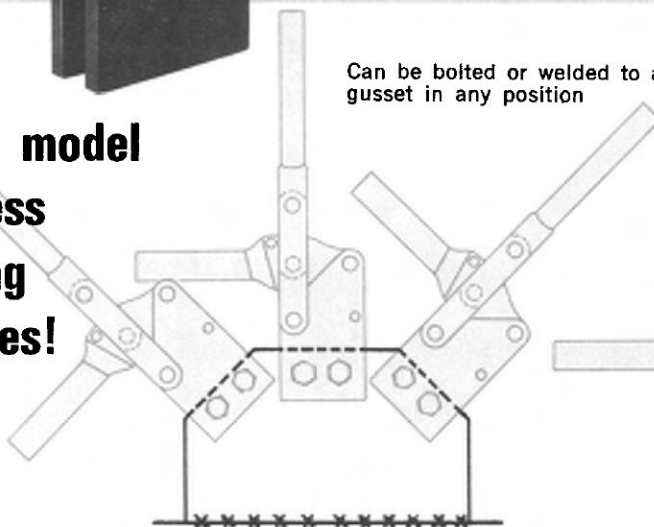
- Choice of bar, plate, or slot base
- Optional tapped hole in arm
- Narrow profile
- Arm pulls well back for maximum clearance
- Bar and plate base models have low shut heights

**Standard Wolverine quality features include:**

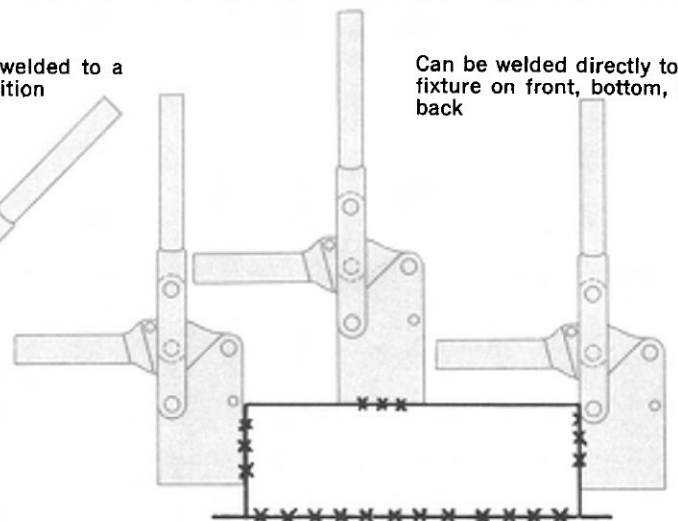
- ⚡ Heavy duty, drop forged components
- ⚡ Hardened steel pins and bushings
- ⚡ Corrosion resistant black oxide coating for easy weldability

**Slot base model has endless positioning possibilities!**

Can be bolted or welded to a gusset in any position



Can be welded directly to a fixture on front, bottom, or back



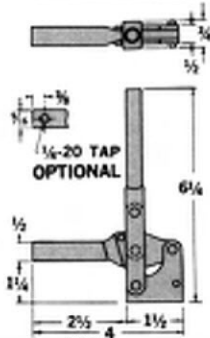


# Choose from 9 different models!

## BAR BASE

### CQ-905

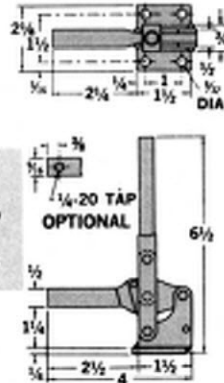
Holding pressure, 750 pounds  
Weight, .8 pounds



## PLATE BASE

### CQ-905A

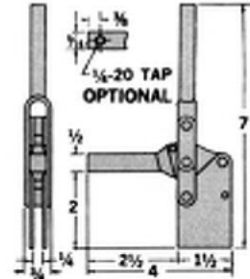
Holding pressure, 750 pounds  
Weight, .9 pounds



## SLOT BASE

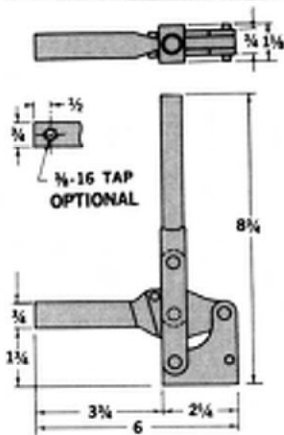
### CQ-905S

Holding pressure, 750 pounds  
Weight, .8 pounds



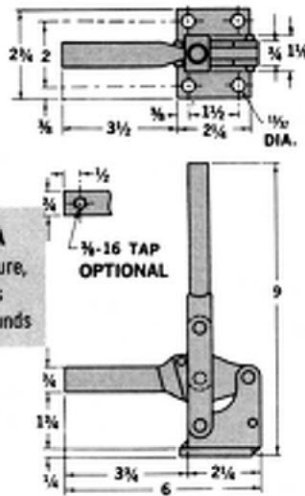
### CQ-910

Holding pressure, 1600 pounds  
Weight, 2.3 pounds



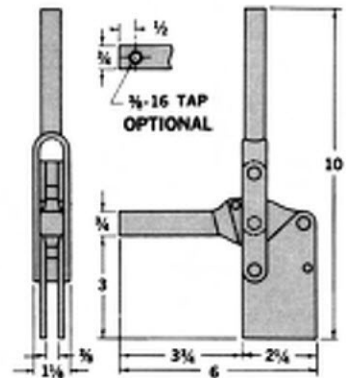
### CQ-910A

Holding pressure, 1600 pounds  
Weight, 2.7 pounds



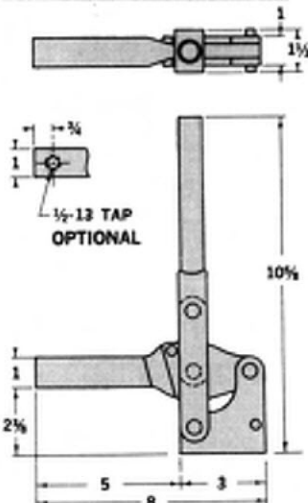
### CQ-910S

Holding pressure, 1600 pounds  
Weight, 2.4 pounds



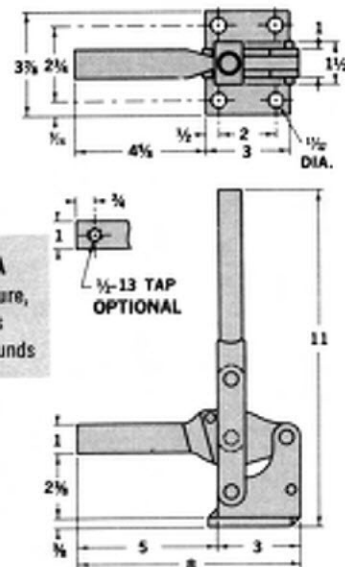
### CQ-915

Holding pressure, 2750 pounds  
Weight, 5.4 pounds



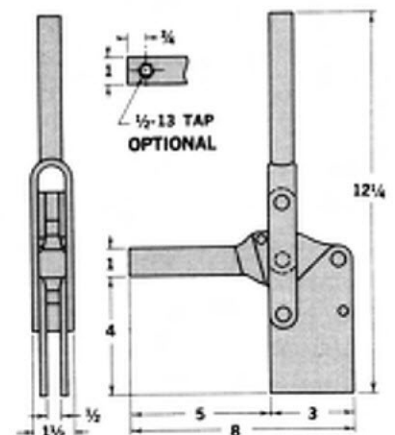
### CQ-915A

Holding pressure, 2750 pounds  
Weight, 6.5 pounds



### CQ-915S

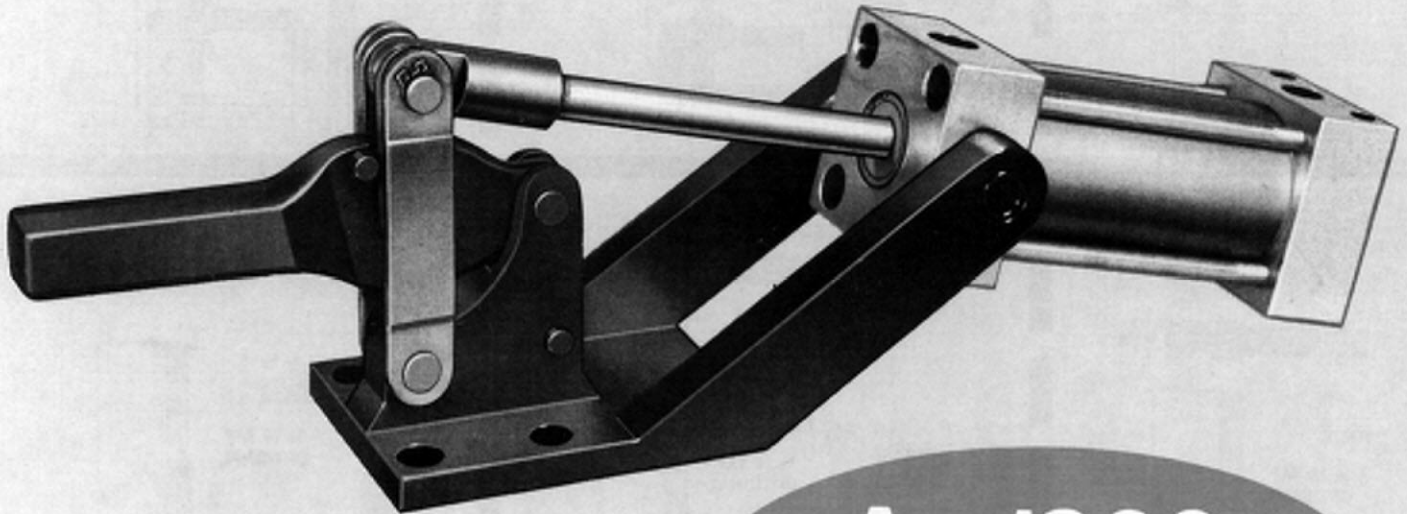
Holding pressure, 2750 pounds  
Weight, 5.6 pounds





# WOLVERINE

## POWER OPERATED TOGGLE CLAMPS



### A-1900 SERIES

The popular CQ-900 Series toggle clamp with its proven Wolverine quality features is also available in a compact power operated unit that is readily adaptable to automated or remote controlled clamping systems.

#### Wolverine Quality Features include:

- Hardened pins and bushings for longer life.
- Drop forged components for extra strength.
- Black oxide finish for corrosion resistance.
- Optional tapped hole in arm available.

#### Special features provided in the Power Operated Clamp Unit include:

- Hardened links and clevis.
- Reinforced stop pin.
- Air or hydraulic operation.
- Double acting cylinder.
- Chrome plated piston rod.
- Serviceable wipers and seals.

Clamp specifications on opposite side

Wolverine Power Operated toggle clamps are designed to increase productivity and allow the use of automated clamping systems. Available in three sizes, the unit's quality components allow maintenance free operation for many thousands of cycles. The toggle clamp powered by a double acting cylinder will remain locked should line pressure fail.

Magnetic piston and reed or hall effect switches are available for automatic position sensing on the cylinder.

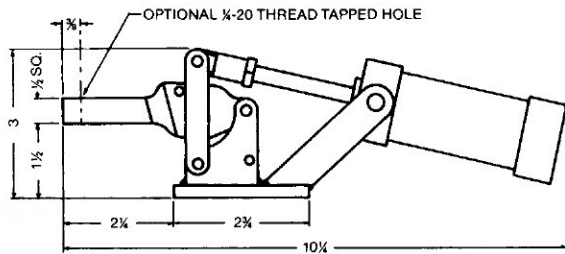
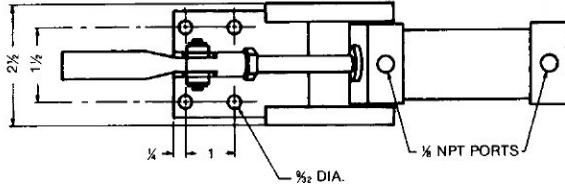
Templates and CAD data available on request.





# DESIGN AND ENGINEERING DATA

All dimensions in inches

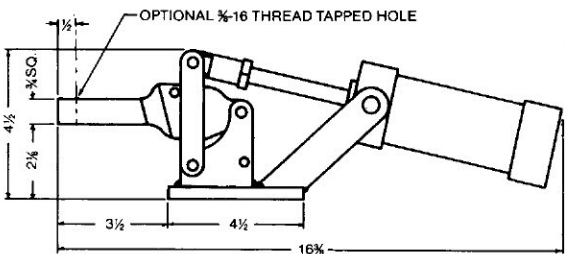
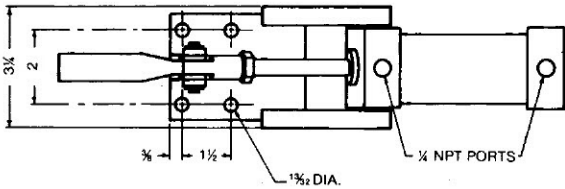


## A-1905 Weight 2.9 pounds

Holding pressure 750 pounds max.  
Arm opens over 100 degrees  
Optional tapped hole 1/2-20 thd

---

Double acting cylinder 1 1/8" bore  
Air or hydraulic operated  
Line pressure 100 psi max.

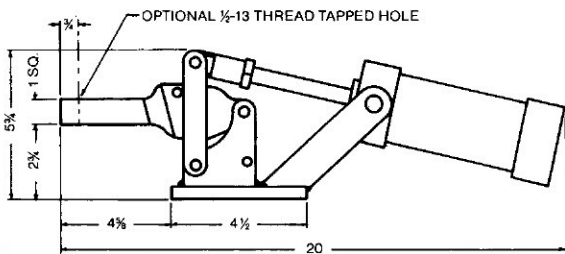
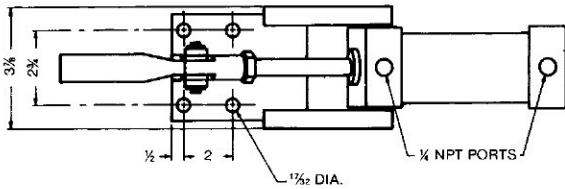


## A-1910 Weight 9.0 pounds

Holding pressure 1600 pounds max.  
Arm opens over 100 degrees  
Optional tapped hole 3/8-16 thd

---

Double acting cylinder 2" bore  
Air or hydraulic operated  
Line pressure 100 psi max.



## A-1915 Weight 15.8 pounds

Holding pressure 2750 pounds max.  
Arm opens over 100 degrees  
Optional tapped hole 1/2-13

---

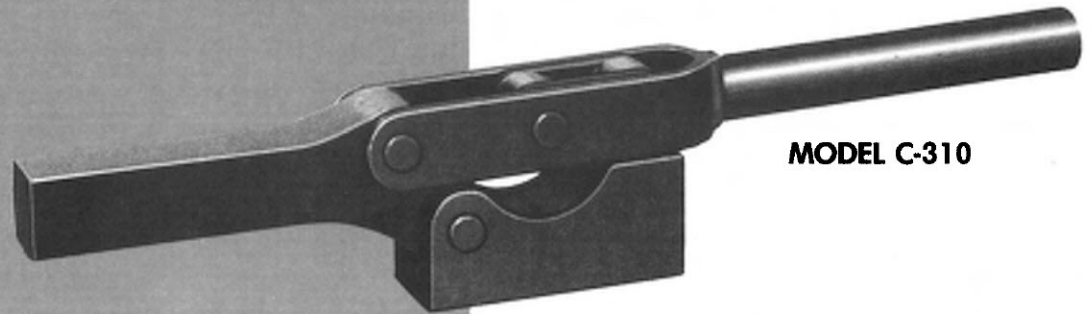
Double acting cylinder 2 1/2" bore  
Air or hydraulic operated  
Line pressure 100 psi max.

Templates and CAD data available on request.

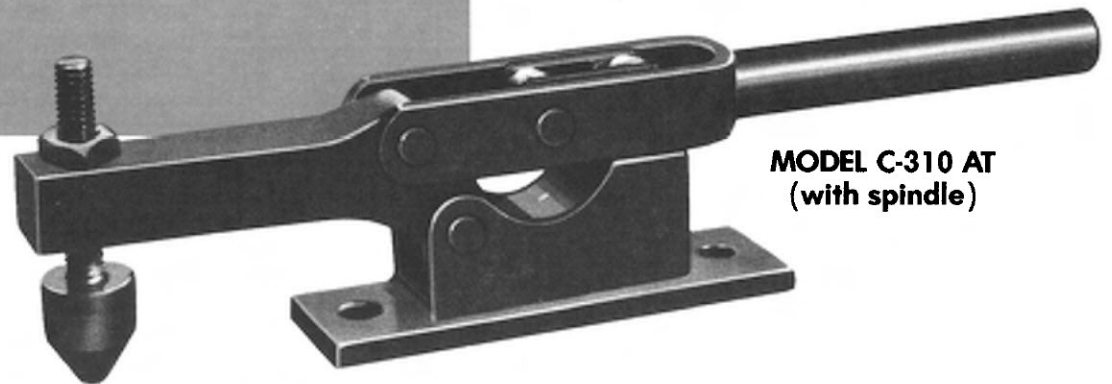
# WOLVERINE Model C-300 SERIES

## LO-PRO

## TOGGLE CLAMPS



MODEL C-310



MODEL C-310 AT  
(with spindle)

## SOLVE INTERFERENCE PROBLEMS

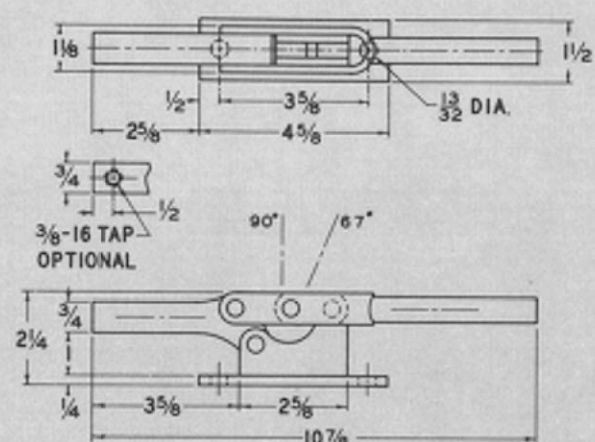
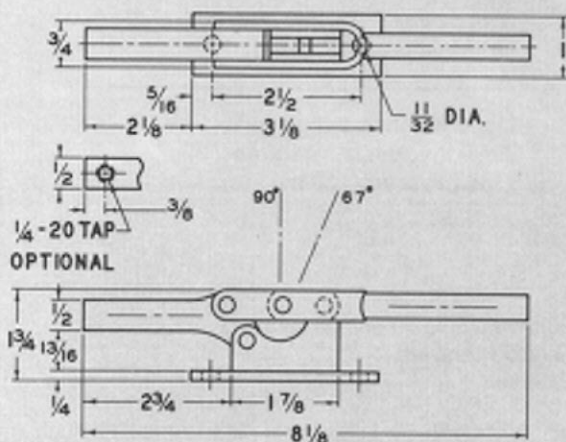
- LOW PROFILE AND NARROW WIDTH
- NO PROTRUDING HANDLE—IDEAL FOR NC
- MAXIMUM CLEARANCE UNDER CUTTING ARBORS AND DRILLING CHUCKS
- LONGER WEAR—HARDENED PINS AND BUSHINGS
- MINIMUM INTERFERENCE WITH WELDING GUNS
- RIGID, RUGGED, ACCURATE REPEAT CLAMPING—SOLID BAR CONSTRUCTION

Templates and CAD data available on request.

WITH PLATE BASE	C-305A	C-310A	Clamps can be welded directly on a fixture, or used with plate base for bolting into position. Spindle also available.
WITH TAPPED HOLE	C-305T	C-310T	
WITH PLATE BASE AND TAPPED HOLE	C-305AT	C-310AT	

Model C-305—600 pounds holding pressure—wt. .8 pounds

Model C-310—1300 pounds holding pressure—wt. 2.2 pounds



# WOLVERINE

## HEAVY DUTY COMPACT TOGGLE CLAMPS



Wolverine Heavy Duty Compact Toggle Clamps are specifically designed to provide the tool designer and plant engineer maximum flexibility in their application. Design your own arm extension for a specific need or utilize one of our optional arm extensions. The handle and arm are welded in place at assembly to assure proper positioning. Four sizes are available to meet your clamping needs. We are confident that the quality construction and numerous features of our Heavy Duty Compact Clamps will help you meet today's demand for increased productivity and quality control.

### FEATURES:

- Large hardened pins and bushings for longer life.
- Drop forged components for extra strength.
- Compact linkage for best size to strength ratio.
- Arm and handle welded at assembly for greater versatility.

### OPTIONAL FEATURES:

- Optional loop or bar arm for design flexibility.
- Optional handle can be welded at any angle.
- Guided arm clamps for location accuracy.
- Latch open clamps to prevent accidental closings.

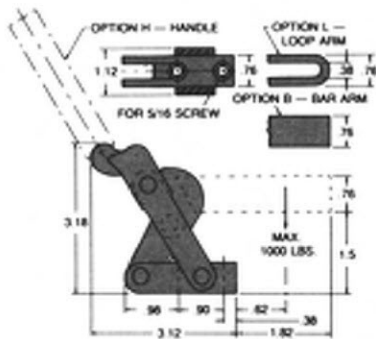


# WOLVERINE

## STANDARD HEAVY DUTY COMPACT MODELS

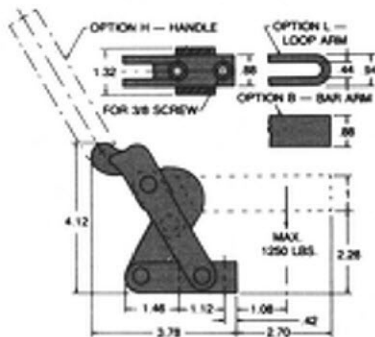


LYT-993-HB

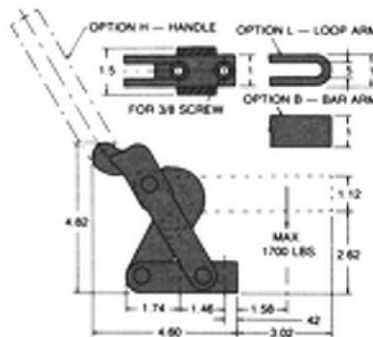


LYT-977-W

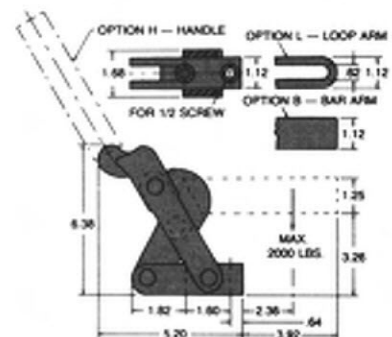
Four sizes of the standard model are available. The handle and arm extension are offered separately to allow for flexibility in their placement and the option of providing your own design instead. The loop arm allows a spindle to be utilized at various points. The bar arm gives extra rigidity and added area for welding adaptors.



LYT-993



LYT-990

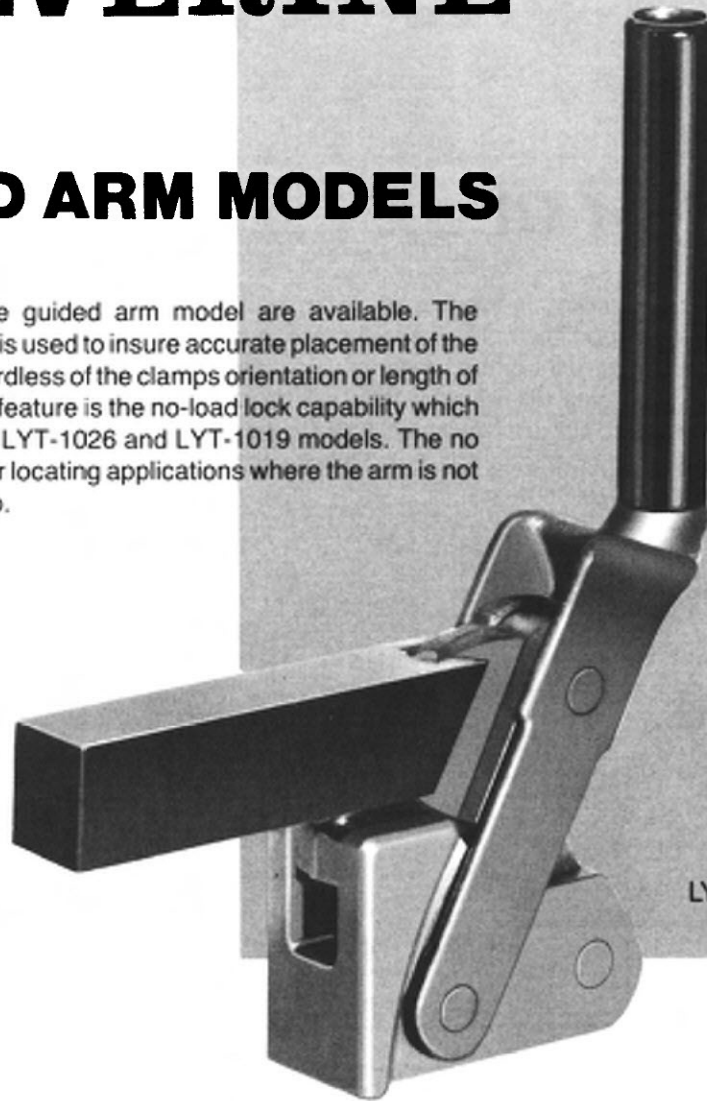


LYT-997

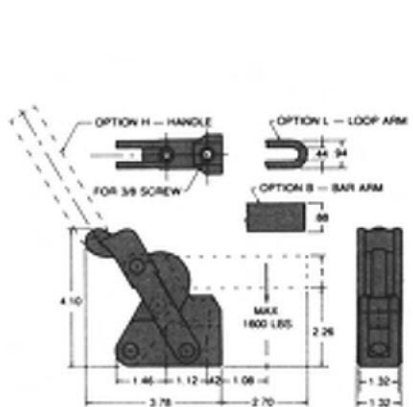
# WOLVERINE

## GUIDED ARM MODELS

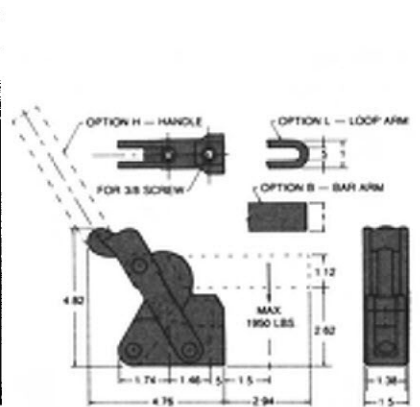
Three sizes of the guided arm model are available. The guided arm design is used to insure accurate placement of the clamping arm regardless of the clamps orientation or length of service. An added feature is the no-load lock capability which is available on the LYT-1026 and LYT-1019 models. The no load lock is used for locating applications where the arm is not utilized as a clamp.



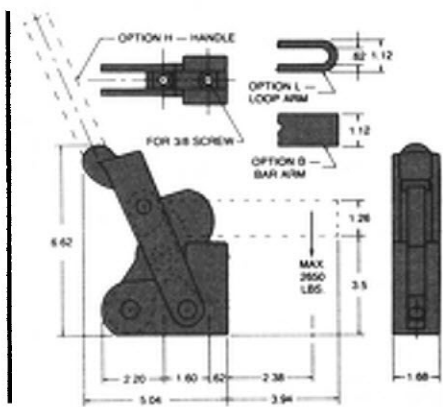
LYT-1026-HB



LYT-1026



LYT-1019



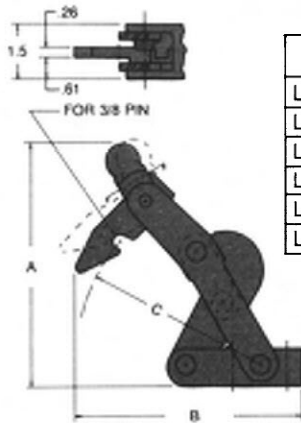
LYT-929



# WOLVERINE

## LATCH OPEN MODELS

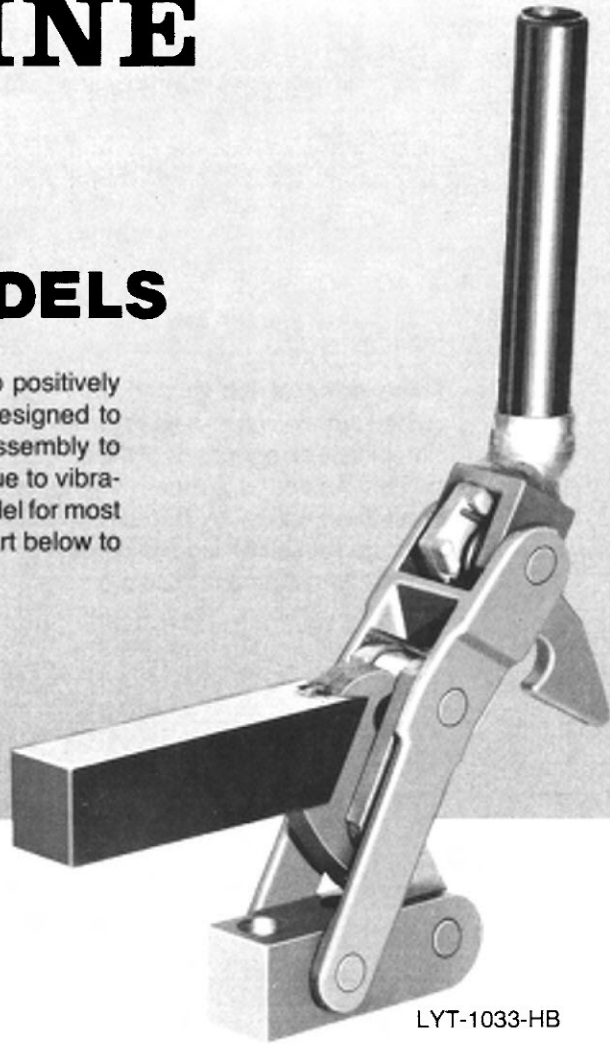
The latch open design is used to keep the clamp positively held in the open position. The handle notch is designed to accept a 3/8" diameter pin properly located at assembly to insure that the clamp will not accidentally close due to vibration or orientation. There is an equivalent latch model for most of our Heavy Duty Compact Clamps. See the chart below to select the proper latch model.



LYT-1033-HB

Clamp	A	B	C
LYT-1033	5.68	5.26	4.06
LYT-1034	6.32	5.96	4.90
LYT-1035	7.46	6.18	5.44
LYT-1036	7.62	6.28	5.56
LYT-1037	6.42	6.06	4.94
LYT-1039	5.66	5.18	3.98

Templates and CAD data available on request



LYT-1033-HB

### ORDERING CHART

Model	Equivalent Latch Model
LYT-929	LYT-1036
LYT-977-W	N/A
LYT-990	LYT-1034
LYT-993	LYT-1033
LYT-997	LYT-1035
LYT-1019	LYT-1037
LYT-1026	LYT-1039

### HOW TO ORDER OPTIONAL ITEMS:

Option	Suffix
Handle	H
Bar Arm	B
Loop Arm	L



# WOLVERINE TOGGLE CLAMP SPINDLES

*for use with  
WOLVERINE  
TOGGLE CLAMPS*



## STANDARD ADJUST- ABLE SPINDLE

Ideal for many common clamping applications. Flat head assures greater contact area. Use on tapped or clearance holes.

Part No.	Thread Size	Overall Length
10125	1/4-20	1-5/8
10130	1/4-20	2-3/8
10135	1/4-20	3-1/8
10140	5/16-18	1-11/16
10145	5/16-18	2-11/16
10148	5/16-18	3-11/16
10150	3/8-16	2-1/4
10155	3/8-16	3-1/4
10160	3/8-16	4-1/4
10175	1/2-13	2-13/16
10180	1/2-13	4-5/16
10185	1/2-13	5-13/16
10190	5/8-11	3-3/8
10195	5/8-11	4-7/8
10198	5/8-11	6-3/8

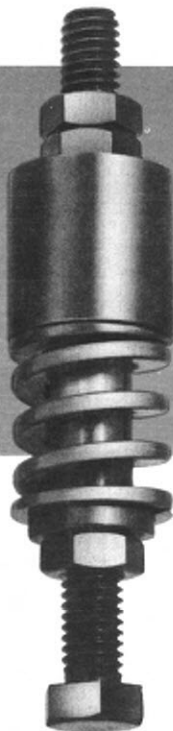


## URETHANE-TIP SPINDLE

Will not mar or slip. Compensates for small variations in part size. Permanently bonded—can be reshaped to fit part contour. Color-coded red. Far outperforms and outlasts outmoded neoprene-tipped spindles.

Part No.	Thread Size	Overall Length	Tip Length	Tip Dia.
10225	1/4-20	2-1/4	3/4	5/8
10230	1/4-20	3	3/4	5/8
10235	5/16-18	2-3/8	7/8	3/4
10240	5/16-18	3-3/8	7/8	3/4
10250	3/8-16	3	1	7/8
10255	3/8-16	4	1	7/8
10275	1/2-13	3-7/8	1-3/8	1-1/8
10280	1/2-13	5-3/8	1-3/8	1-1/8
10290	5/8-11	4-5/8	1-5/8	1-3/8
10295	5/8-11	6-1/8	1-5/8	1-3/8

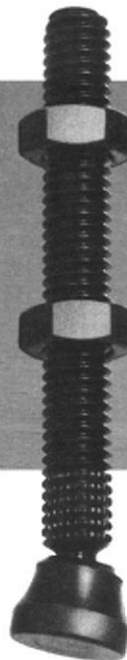
Templates and CAD data available on request.



## SPRING-LOADED SPINDLE

Welds to end of clamp arm. Pre-loaded spring assures even clamping pressure and allows for variation in part size. Hardened components for wear resistance.

Part No.	Thread Size	Overall Length	Lbs. Pressure at 1/8" Deflection
10535	1/4-20	3-5/32	36
10560	3/8-16	4-1/4	70
10585	1/2-13	5-13/16	65



## SWIVEL-FOOT SPINDLE

For sure clamping on uneven or angled surfaces. Pad moves 10° off perpendicular in any direction. Knurled near foot to facilitate fine adjustment.

Part No.	Thread Size	Overall Length	Thread Length	Pad Dia.
10425	1/4-20	1-7/8	1-5/32	1/2
10430	1/4-20	2-5/8	1-29/32	1/2
10450	3/8-16	2-3/8	1-15/32	5/8
10455	3/8-16	3-3/8	2-15/32	5/8
10475	1/2-13	3	1-7/8	7/8
10480	1/2-13	4-1/2	3-3/8	7/8

## C-131\*

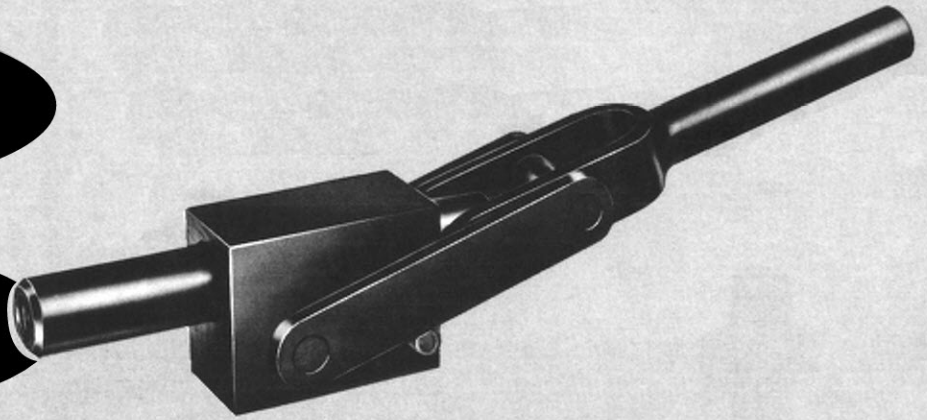
Holding pressure 2500 pounds  
Weight of clamp .7 pounds

## C-130

Holding pressure 5800 pounds  
Weight of clamp 2.5 pounds

## C-132

Holding pressure 10,000 pounds  
Weight of clamp 5.2 pounds



NO LOAD LOCK OPTION AVAILABLE

## FEATURES HARDENED PLUNGERS

The C-130 series is a fast push action unit with straight line plunger motion. Ideal for precision locating and clamping.

Plunger is tapped for standard bolt and withdraws flush with body block face in open position. Solid bar base permits easy welding into work position.

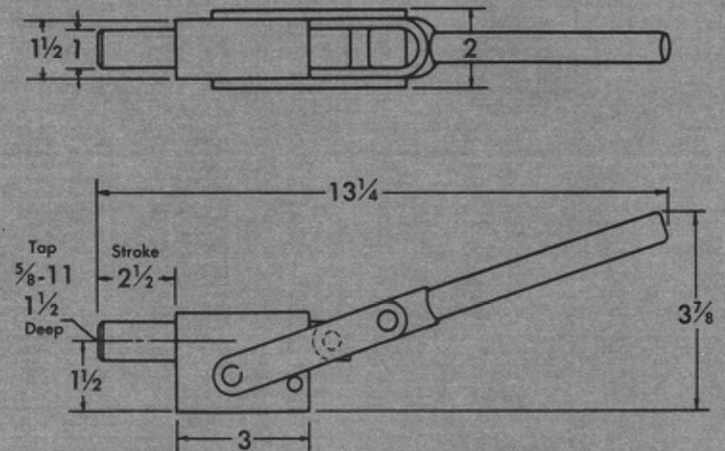
Plunger guide hole is drilled and broached to close tolerance fit with accurately ground plunger. Hardened steel pins and bushings are used at important bearing points.

Full and half-size tracing templates are available on request.

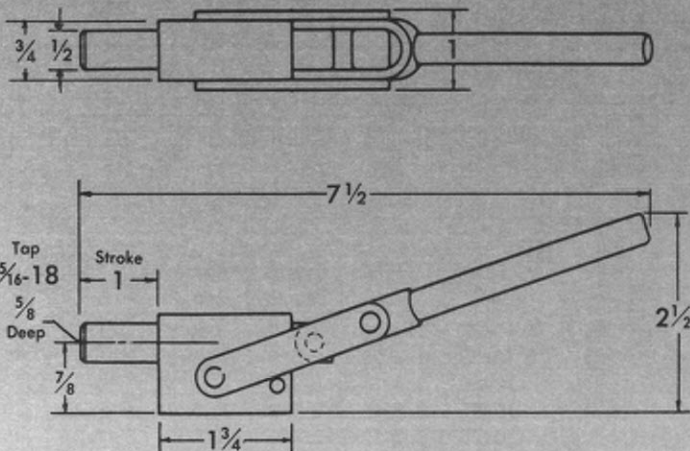
\*C-131 precedes C-130 in this series.

Templates and CAD data available on request.

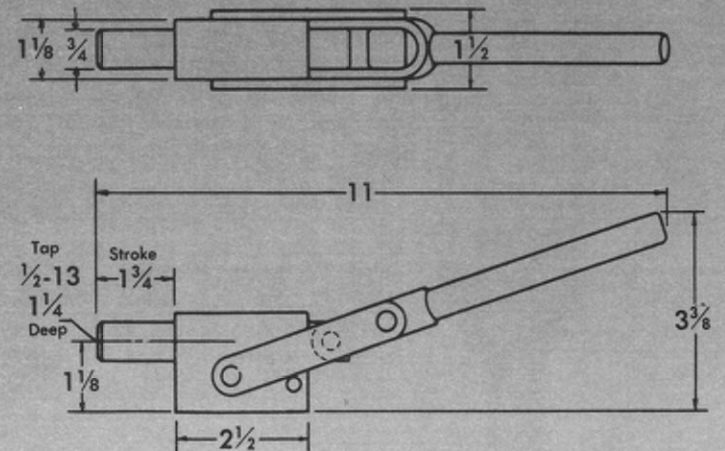
C-132



C-131\*



C-130



## C-131A\*

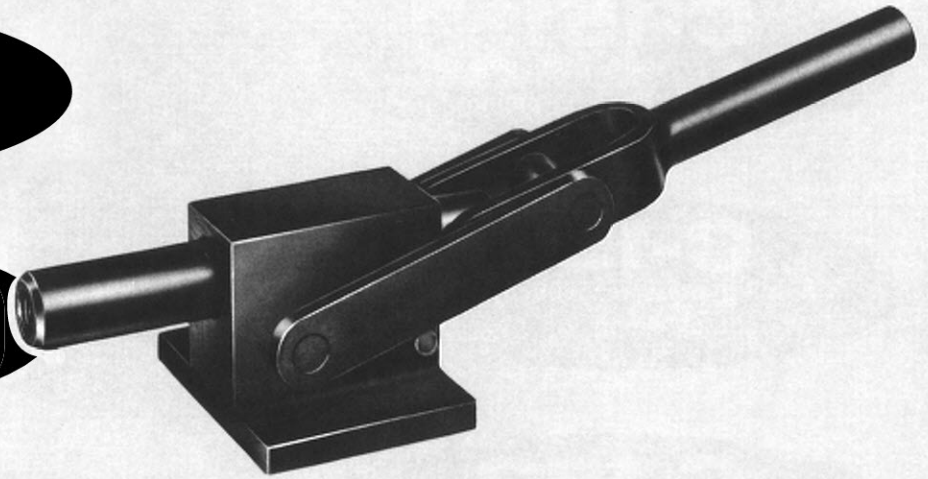
Holding pressure 2500 pounds  
Weight of clamp 1.2 pounds

## C-130A

Holding pressure 5800 pounds  
Weight of clamp 3.0 pounds

## C-132A

Holding pressure 10,000 pounds  
Weight of clamp 6.5 pounds



NO LOAD LOCK OPTION AVAILABLE

The C-130A series is a low profile, fast push action unit with straight line plunger motion, with identical design and quality construction as C-130.

However, the A series has a plate base for drilling and bolting into work position instead of the plain bar base.

Broached plunger guide hole and precision ground plunger plus hardened steel pins and bushings at important bearing points make this clamp ideal for accurate locating use.

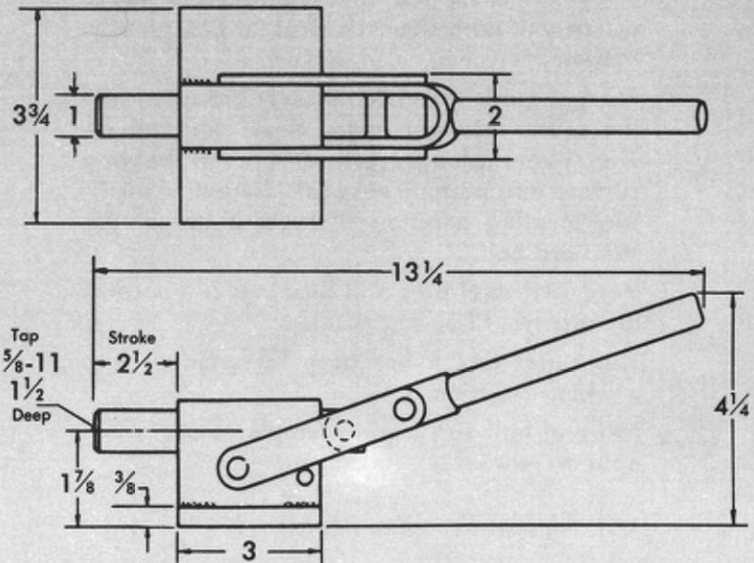
Full and half-size tracing templates are available on request.

\*C-131A precedes C-130A in this series.

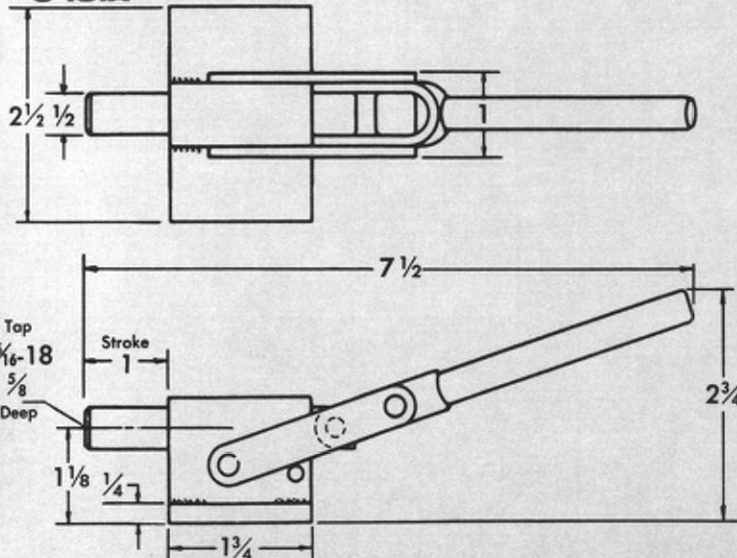
Templates and CAD data available on request.

## FEATURES HARDENED PLUNGERS

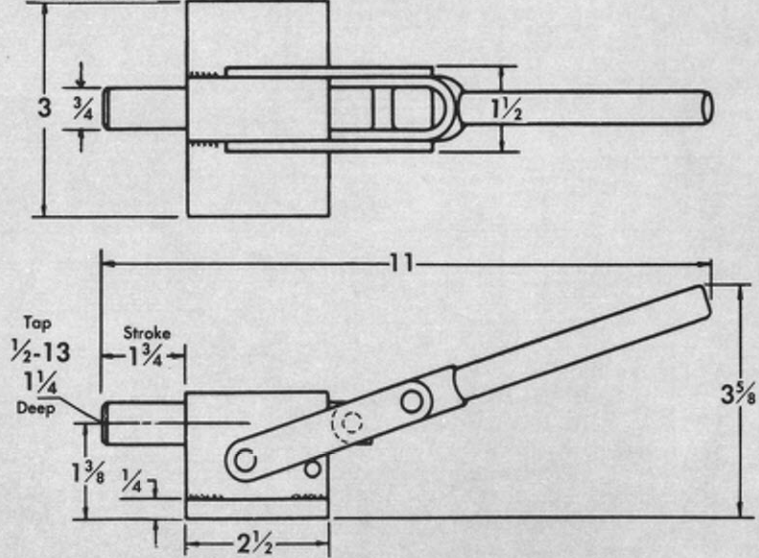
C-132A



C-131A\*



C-130A





# C-151 \*

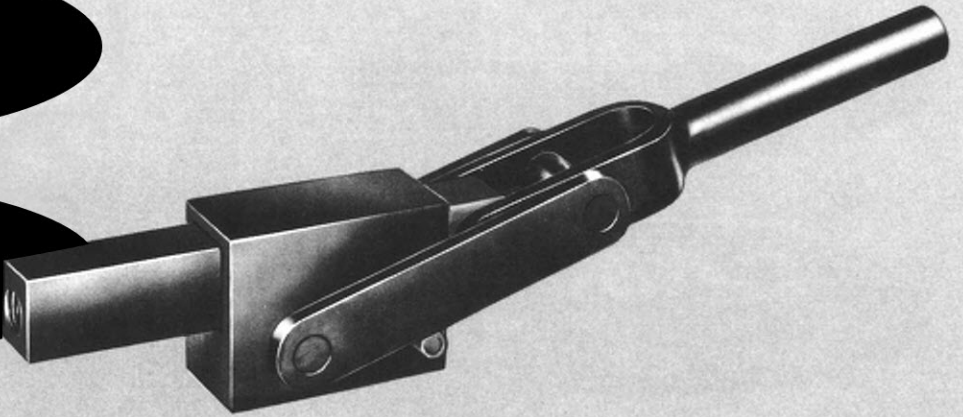
Holding pressure 2500 pounds  
Weight of clamp .8 pounds

# C-150

Holding pressure 5800 pounds  
Weight of clamp 2.5 pounds

# C-152

Holding pressure 10,000 pounds  
Weight of clamp 5.4 pounds



NO LOAD LOCK OPTION AVAILABLE

## FEATURES HARDENED PLUNGERS

The C-150 series is a square plunger, fast push action unit with accurate straight line plunger motion.

Plunger guide hole is accurately broached and the square plunger has a close tolerance fit. The square plunger affords greater bearing surface and permits easy attachment of auxiliary locating adaptors. Plunger is tapped for standard bolt.

Hardened steel pins and bushings are used at all important bearing points.

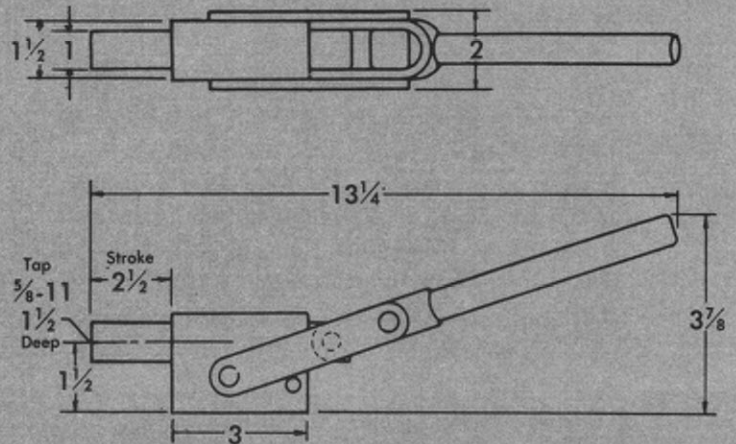
This series has a bar base for welding into working position.

Full and half-size tracing templates are available on request.

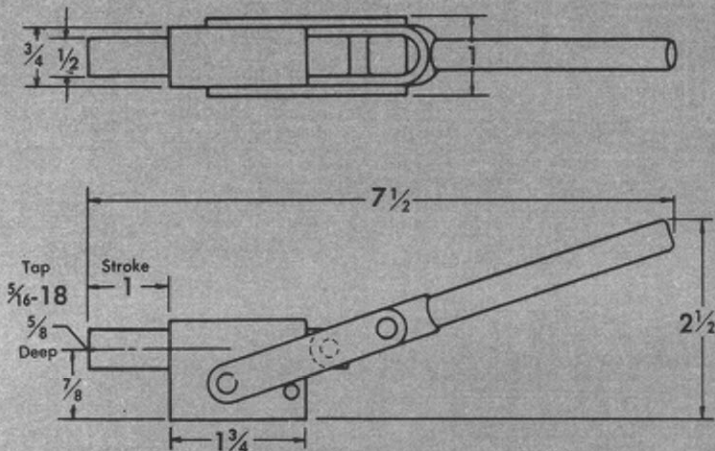
\*C-151 precedes C-150 in this series.

Templates and CAD data available on request.

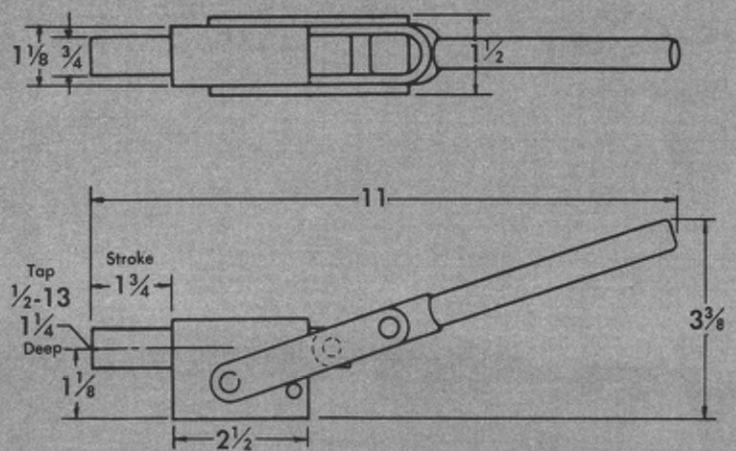
C-152



C-151



C-150



## C-151A\*

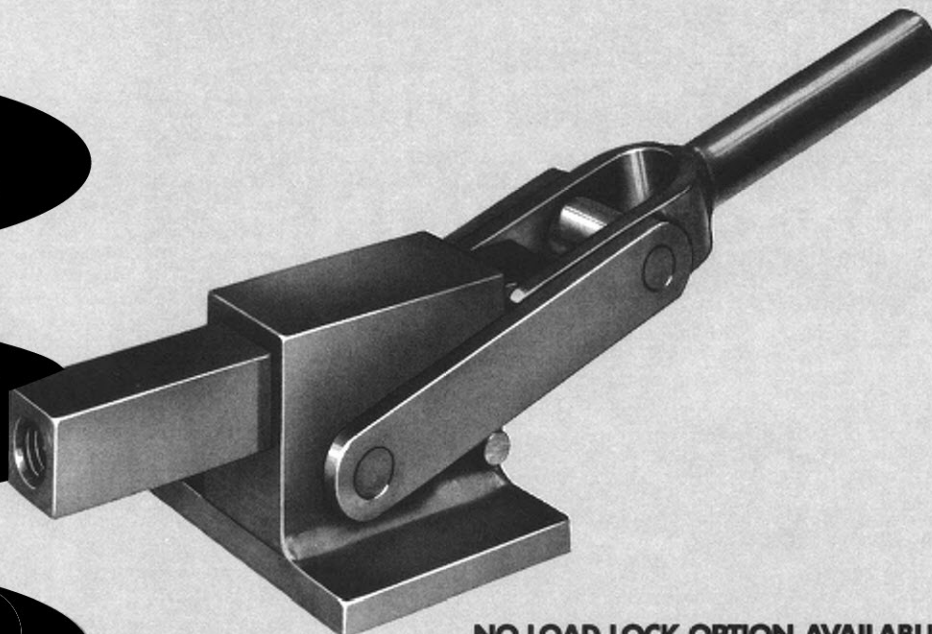
Holding pressure 2500 pounds  
Weight of clamp 1.2 pounds

## C-150A

Holding pressure 5800 pounds  
Weight of clamp 3.0 pounds

## C-152A

Holding pressure 10,000 pounds  
Weight of clamp 6.6 pounds



NO LOAD LOCK OPTION AVAILABLE

## FEATURES HARDENED PLUNGERS

The C-150A series is a square plunger, fast push action unit with accurate straight line motion identical to the C-150 except that it has a sturdy plate base for drilling and bolting into working position.

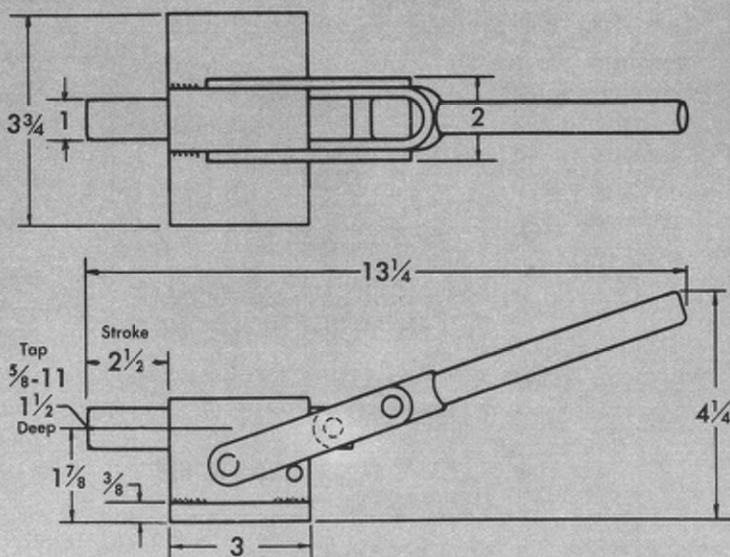
Positive radial location of the square plunger, much greater bearing surface of the plunger and the flat plunger adaptor surfaces make this unit a favorite for use where radial location is important.

Full and half-size tracing templates are available on request.

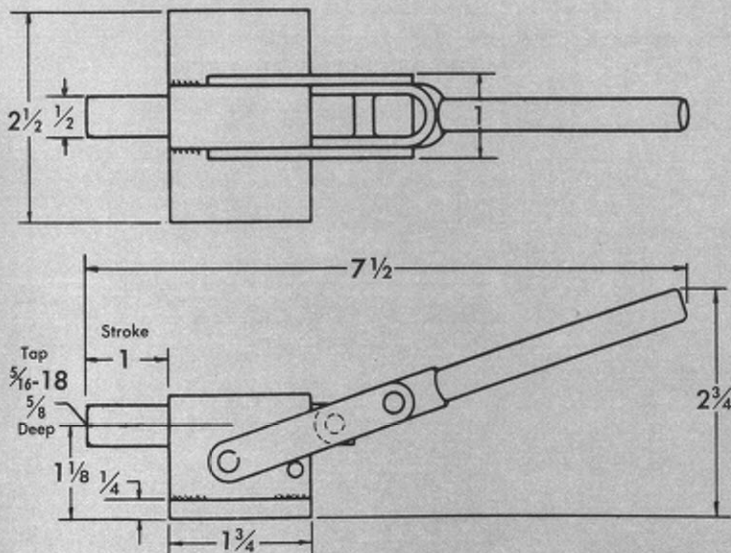
\*C-151A precedes C-150A in this series.

Templates and CAD data available on request.

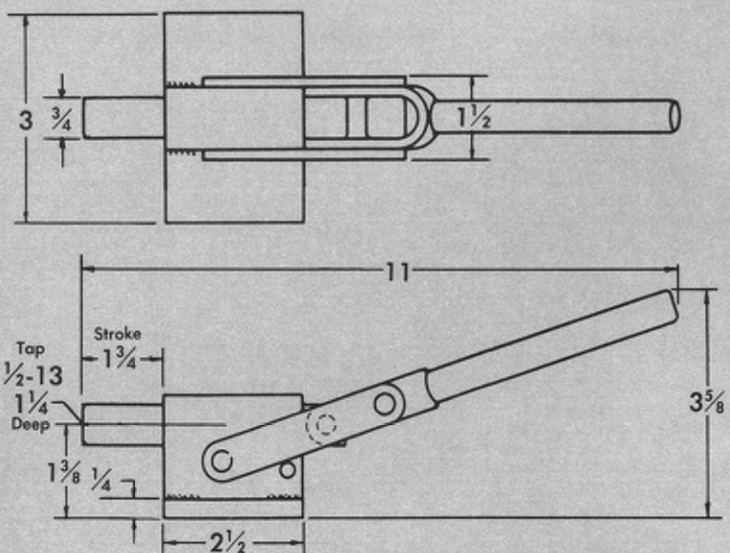
### C-152A



### C-151A\*



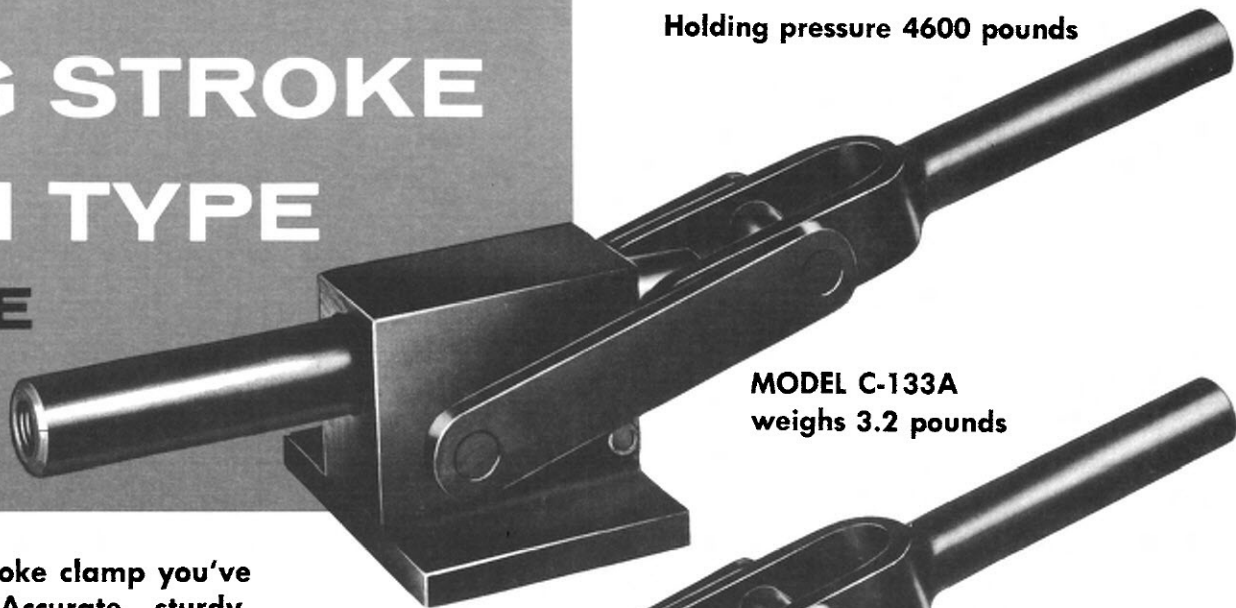
### C-150A



# WOLVERINE Model C-133

## LONG STROKE PUSH TYPE TOGGLE CLAMP

Holding pressure 4600 pounds



MODEL C-133A  
weighs 3.2 pounds



MODEL C-133  
weighs 2.7 pounds

Here is the long stroke clamp you've been asking for. Accurate, sturdy, wide clearance and budget priced. Ideal for rugged production use in locating or clamping. Locks in extended position.

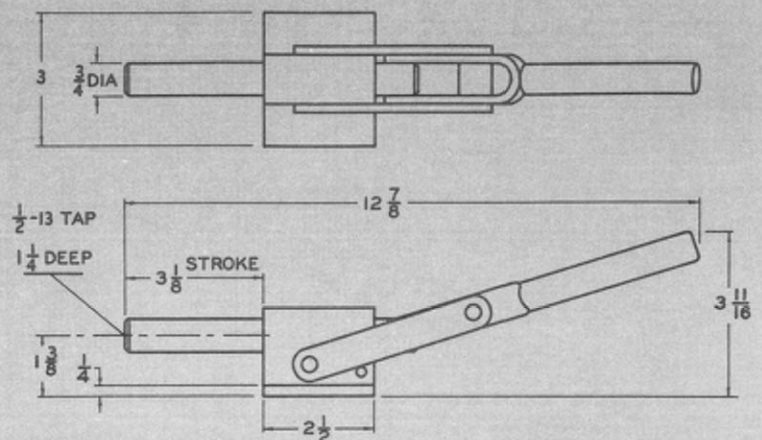
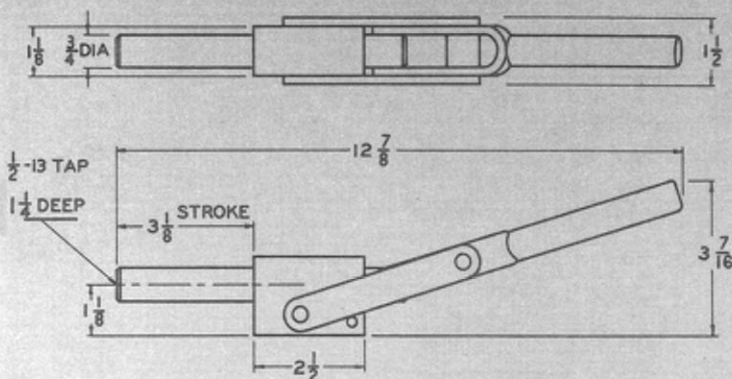
FEATURES HARDENED PLUNGERS

- EXTRA LONG STROKE (3")
- PLUNGER WITHDRAWS FLUSH WITH BODY FACE
- ACCURATE, BROACHED PLUNGER GUIDE
- CLOSE TOLERANCE FIT PLUNGER
- NO LOAD LOCK OPTION AVAILABLE
- FAST, POSITIVE ACTION
- HARDENED STEEL PINS AND BUSHINGS AT IMPORTANT BEARING POINTS
- WEAR AND CORROSION RESISTANT COATING
- PLUNGER TAPPED FOR STANDARD BOLT

Templates and CAD data available on request

Model C-133—wt. 2.7 pounds with bar base for welding into position

Model C-133A—wt. 3.2 pounds with plate base for drilling and bolting into position





# WOLVERINE Model C-153

## LONG STROKE SQUARE PLUNGER PUSH TYPE TOGGLE CLAMP

Templates and CAD data available on request.

Holding pressure 4600 pounds



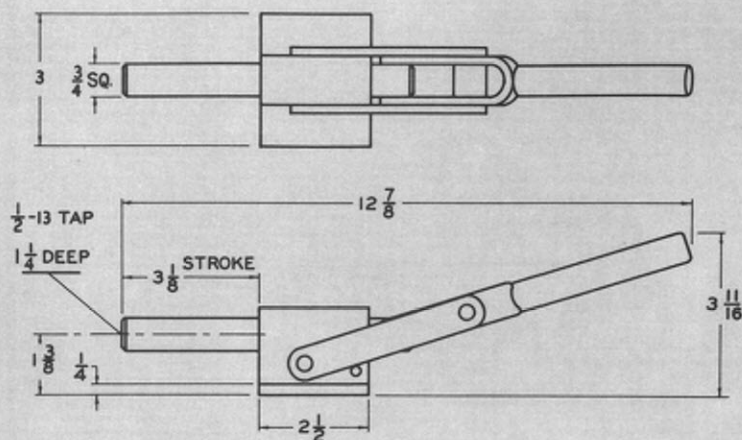
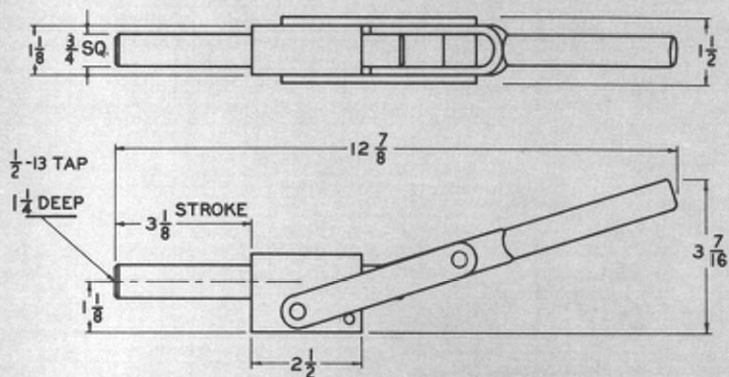
This accurate, sturdy clamp combines two very desirable features—extra long stroke and square plunger. Designed for wide clearance applications, the budget priced C-153 locks in extended position and is ideally suited for rugged production use in locating or clamping.

- EXTRA LONG STROKE (3")
- SQUARE PLUNGER PERMITS POSITIVE RADIAL LOCATION
- AUXILIARY LOCATING ADAPTORS EASILY ATTACHED
- ACCURATE, BROACHED PLUNGER GUIDE
- PLUNGER WITHDRAWS FLUSH WITH BODY FACE
- FAST, POSITIVE ACTION
- HARDENED STEEL PINS AND BUSHINGS AT IMPORTANT BEARING POINTS
- WEAR AND CORROSION RESISTANT COATING
- PLUNGER TAPPED FOR STANDARD BOLT
- NO LOAD LOCK OPTION AVAILABLE

### FEATURES HARDENED PLUNGERS

Model C-153—wt. 2.8 pounds with bar base for welding into position

Model C-153A—wt. 3.3 pounds with plate base for drilling and bolting into position



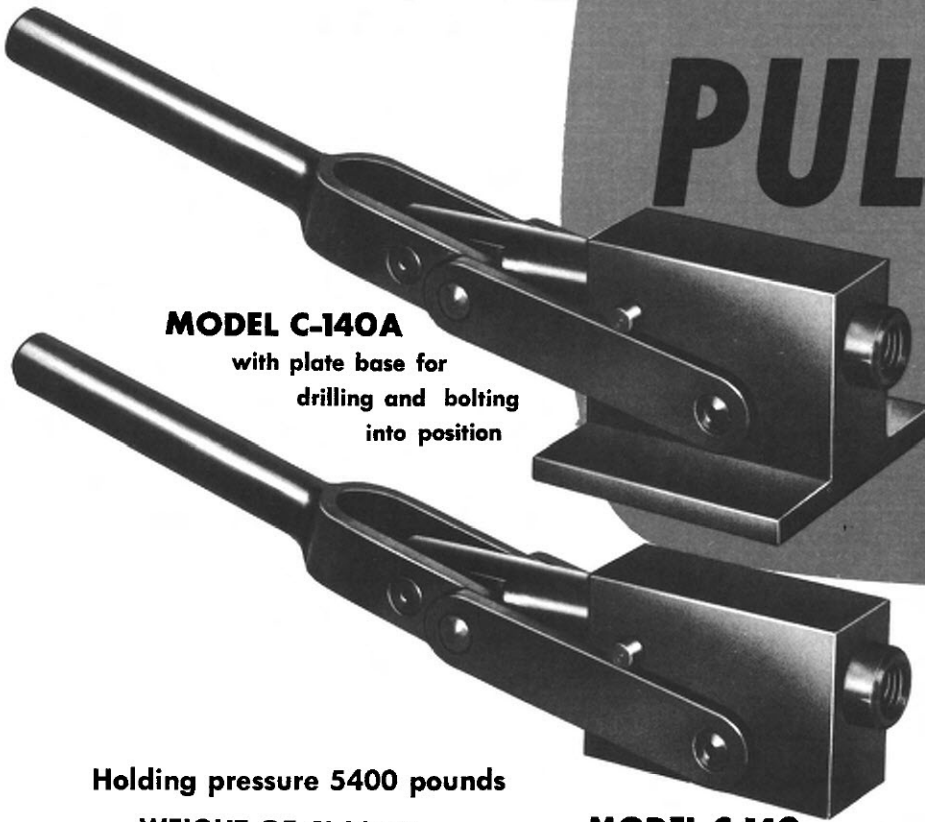
# WOLVERINE MODEL C-140

# PULL-TYPE

# TOGGLE CLAMPS

## MODEL C-140A

with plate base for  
drilling and bolting  
into position



Holding pressure 5400 pounds

**WEIGHT OF CLAMPS**  
C-140A — 2.8 POUNDS  
C-140 — 2.3 POUNDS

## MODEL C-140

with bar base for welding  
into position

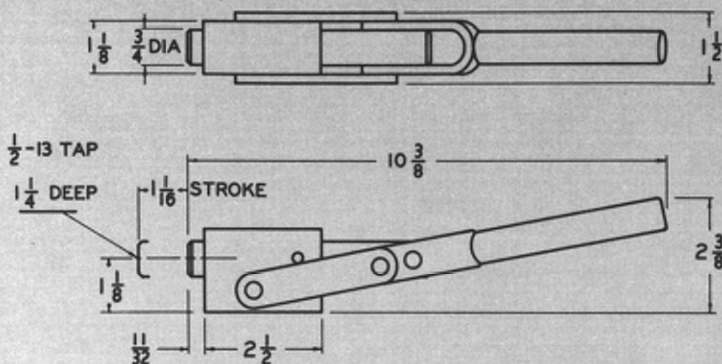
A new pull type, fast action clamp that locks in retracted position. Ideal for use where parts are to be pulled into position against a locating face.

- FAST, POSITIVE ACTION
- ACCURATE, BROACHED PLUNGER GUIDE
- HARDENED STEEL PINS AND BUSHINGS AT IMPORTANT BEARING POINTS
- CLOSE TOLERANCE PLUNGER FIT
- WEAR AND CORROSION RESISTANT COATING
- PLUNGER TAPPED FOR STANDARD BOLT

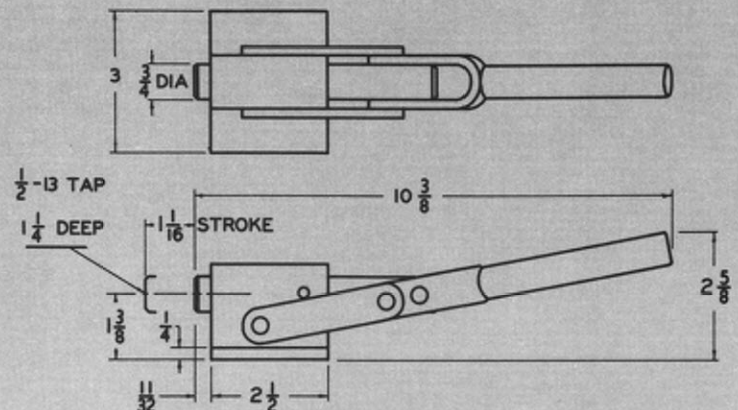
Templates and CAD data available on request.

## FEATURES HARDENED PLUNGERS

Model C-140 — wt. 2.3 pounds



Model C-140A — wt. 2.8 pounds



# WOLVERINE

## LYT-977-S & LYT-977-SW

### CHECK FIXTURE CLAMP

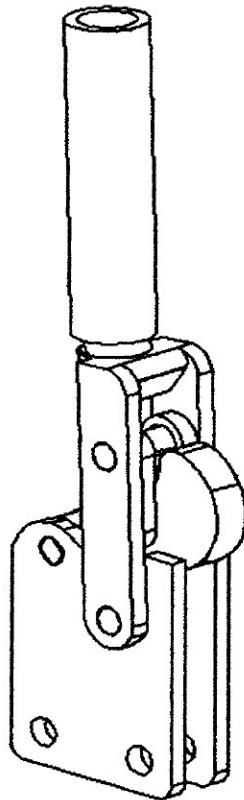
Wolverine Tool has added  
an **EXCITING NEW** clamp.

The LYT-977-S & -SW brings  
a strong but compact clamp  
to the fixture builder.

The optional yellow vinyl  
coated safety handle  
meets fixture standards  
of the automotive industry.

Check out our arm and  
spindle options (over).

**900 Pound Max  
Holding Pressure**



#### FEATURING:

**Guided arm for years  
of accurate clamping.**

**Hardened pins/bushings  
for long clamping life.**

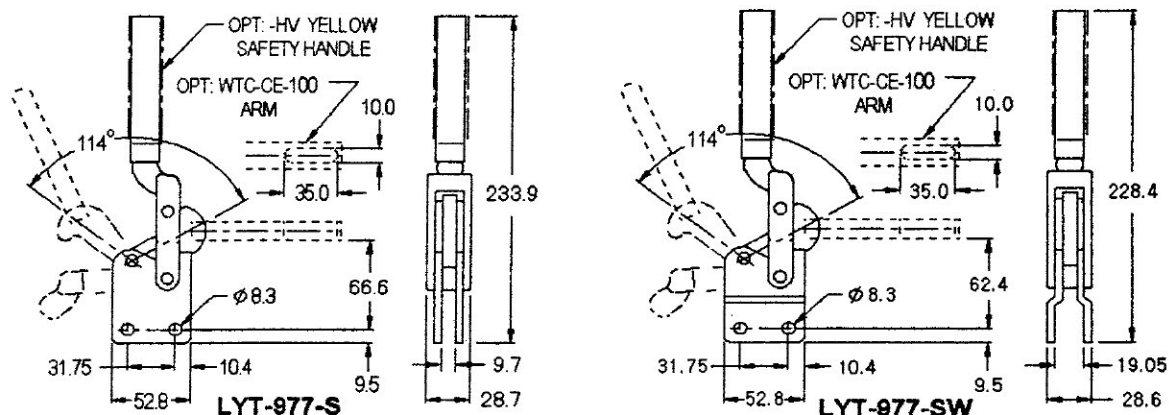
**Handle and arm  
welded into any position.**

**Mounting holes for  
quick design placement.**

**CAD files available:  
Call, E-mail, or download  
from the WEB.**

WEB: [www.wolverinetool.com](http://www.wolverinetool.com)

E-mail: [wolverinetool@wolverinetool.com](mailto:wolverinetool@wolverinetool.com)



#### WOLVERINE TOOL COMPANY

22950 Industrial Drive West, St. Clair Shores, MI 48080-1131

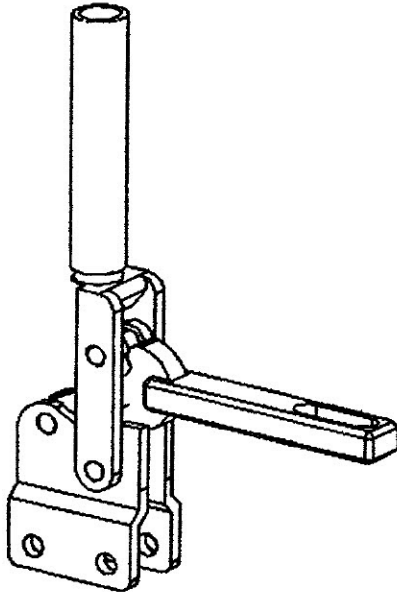
Phone: 586-498-3840 FAX: 586-498-3845

(see other side)

# WOLVERINE

## LYT-977-S & LYT-977-SW

### CHECK FIXTURE CLAMP OPTIONS



#### YELLOW SAFETY HANDLE VINYL COATED

- \* HANDLE LENGTH 101.6 mm
- \* ORDER WELDED AS SHOWN: -HV SUFFIX
- \* ORDER LOOSE TO ORIENT AT ASSEMBLY: -LHV

#### ARM EXTENSIONS

- \* 1020 CAST STEEL - 50-55 Rb HARDNESS
- \* WELD AT ASSEMBLY TO ORIENT AS NEEDED
- \* THREE LENGTHS TO CHOOSE FROM  
TO FIT ANY APPLICATION
- \* 10 X 35 SLOT IN EACH ARM FOR SPINDLES

MODEL LYT-977-SW-HV WITH WTC-CE-100 SHOWN

#### WTC-CE-75

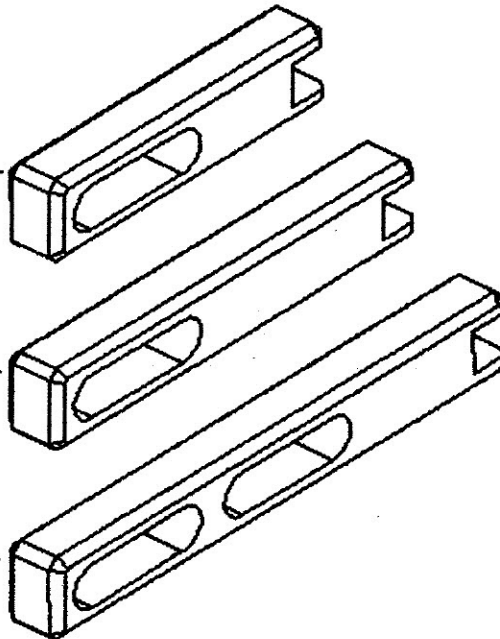
12.7 X 19.05 X 75 mm LONG

#### WTC-CE-100

12.7 X 19.05 X 100 mm LONG

#### WTC-CE-125

12.7 X 19.05 X 125 mm LONG  
2 SLOTS FOR DOUBLE SPINDLE



#### WOLVERINE TOOL COMPANY

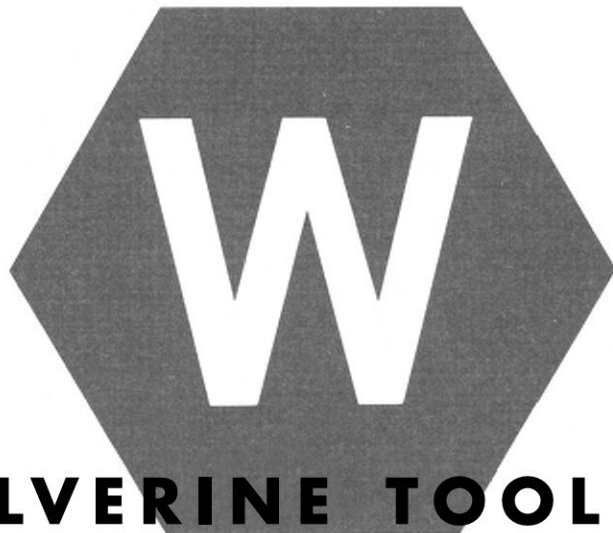
22950 Industrial Drive West, St. Clair Shores, MI 48080-1131

Phone: 586-498-3840 FAX: 586-498-3845

WEB: [www.wolverinetool.com](http://www.wolverinetool.com)

E-mail: [wolverinetool@wolverinetool.com](mailto:wolverinetool@wolverinetool.com) (see other side)

Inside  
Back  
Cover



**WOLVERINE TOOL CO.**

**Templates and CAD data available on request.**

**CATALOG C-1101**